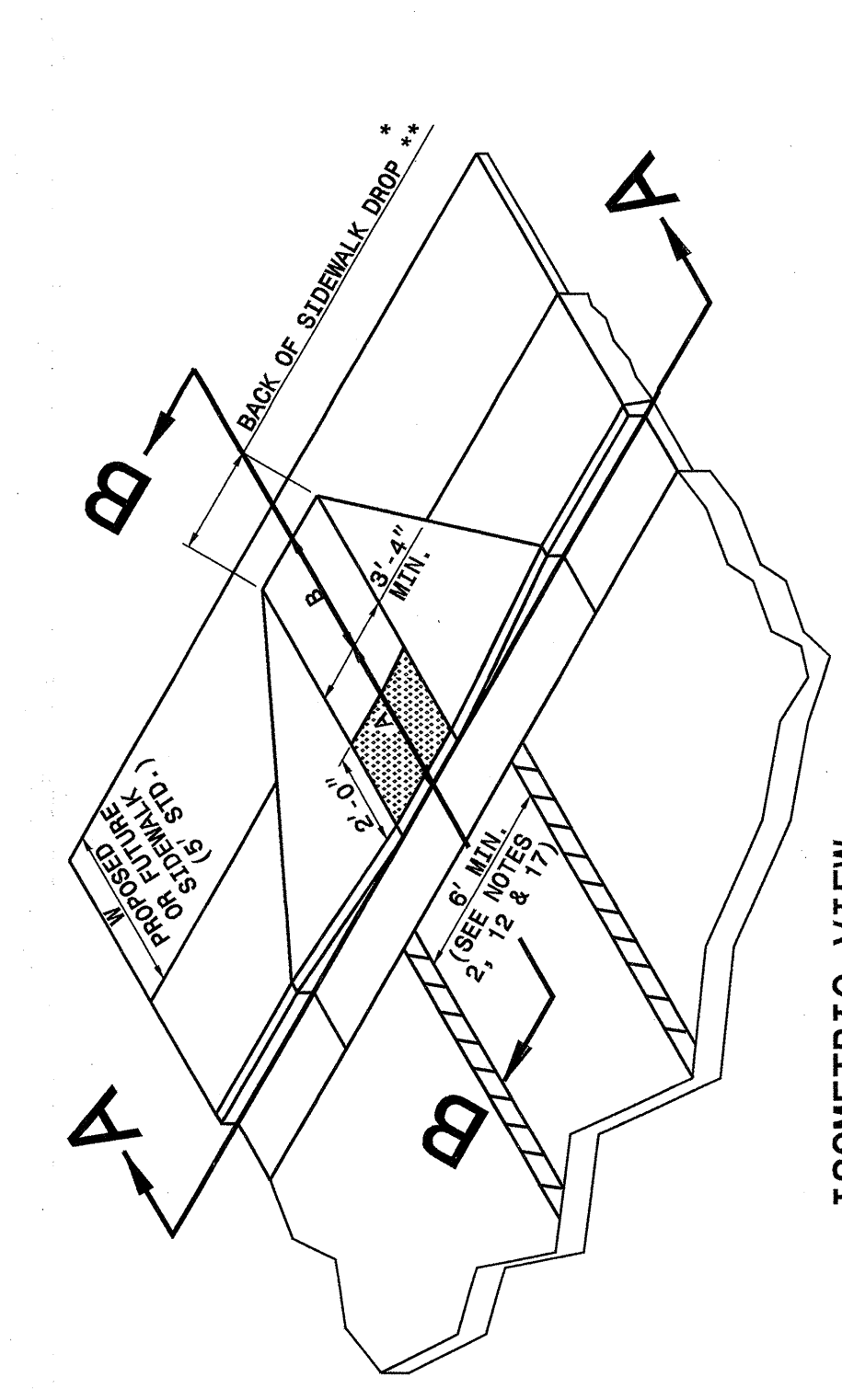
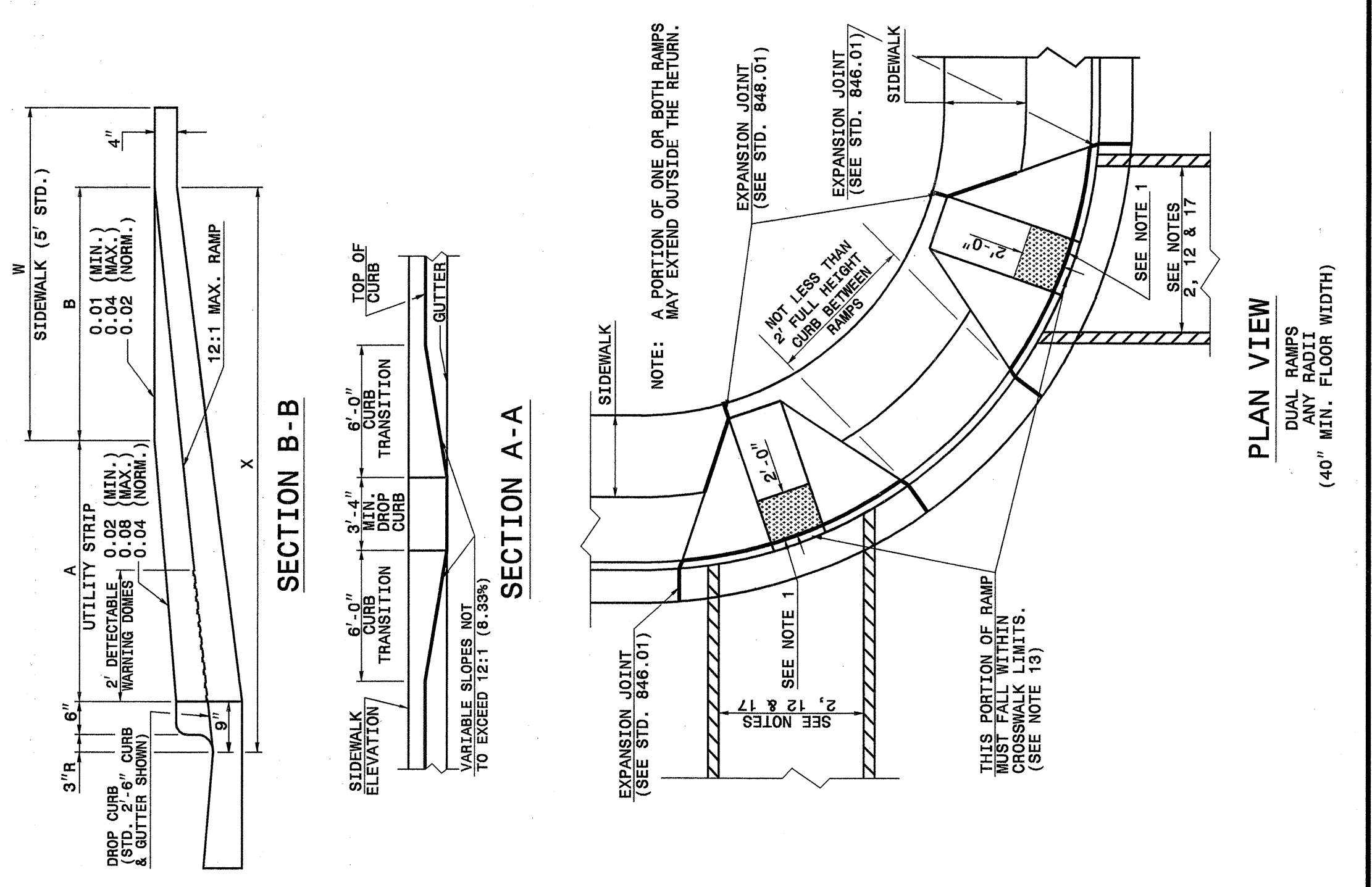


STATE OF NORTH CAROLINA DEPT. OF TRANSPORTATION DIVISION OF HIGHWAYS RALEIGH, N.C.

ENGLISH DETAIL DRAWING FOR WHEELCHAIR RAMP CURB CUT

SHEET 1 OF 4 848D05

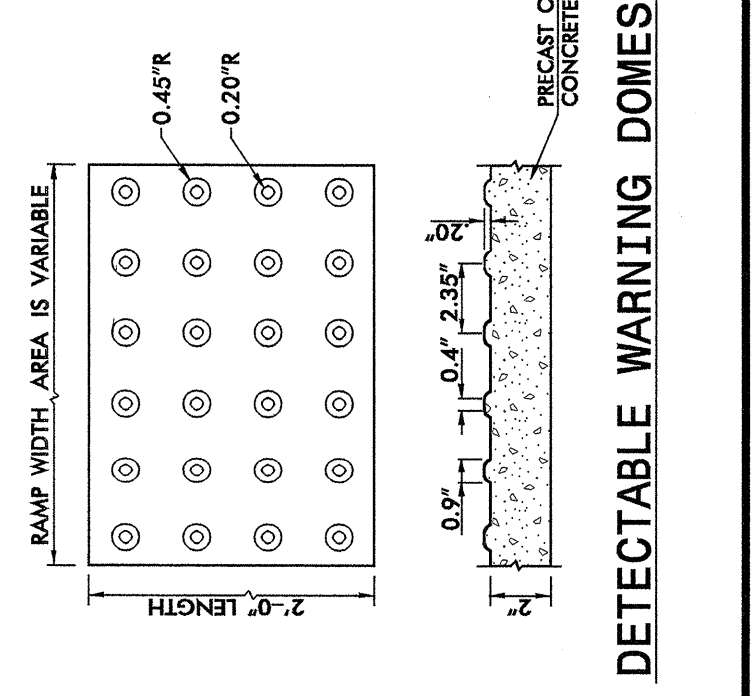


ROADWAY PLAN SYMBOL (CCFR) CURB CUT FOR FUTURE RAMP

ROADWAY PLAN SYMBOL (WCR) FOR PROPOSED WHEELCHAIR RAMP

W	A	W+A+9'	X	B
5'	0.0'	5.8'	5.8'	5.0'
6'	0.0'	6.8'	6.8'	6.0'
7'	0.0'	7.8'	7.3'	6.5'
8'	0.0'	8.8'	7.3'	6.5'
9'	2.0'	7.8'	7.8'	5.0'
5'	2.5'	8.3'	8.1'	4.8'
5'	3.0'	8.8'	8.3'	4.4'
5'	3.5'	9.3'	8.4'	4.1'
5'	4.0'	9.8'	8.6'	3.8'
5'	4.5'	10.3'	8.7'	3.4'
5'	5.0'	10.8'	8.9'	3.1'

NOTES:
 1. DETECTABLE WARNING DOMES SHALL COVER 2'-0" LENGTH AND FULL WIDTH OF THE RAMP FLOOR AS SHOWN ON THE DETAILS.
 2. THE RAMP MAY BE YELLOW IN COLOR OR ANY COLOR WITH A 70% CONTRAST RATIO.



STATE OF NORTH CAROLINA DEPT. OF TRANSPORTATION DIVISION OF HIGHWAYS RALEIGH, N.C.

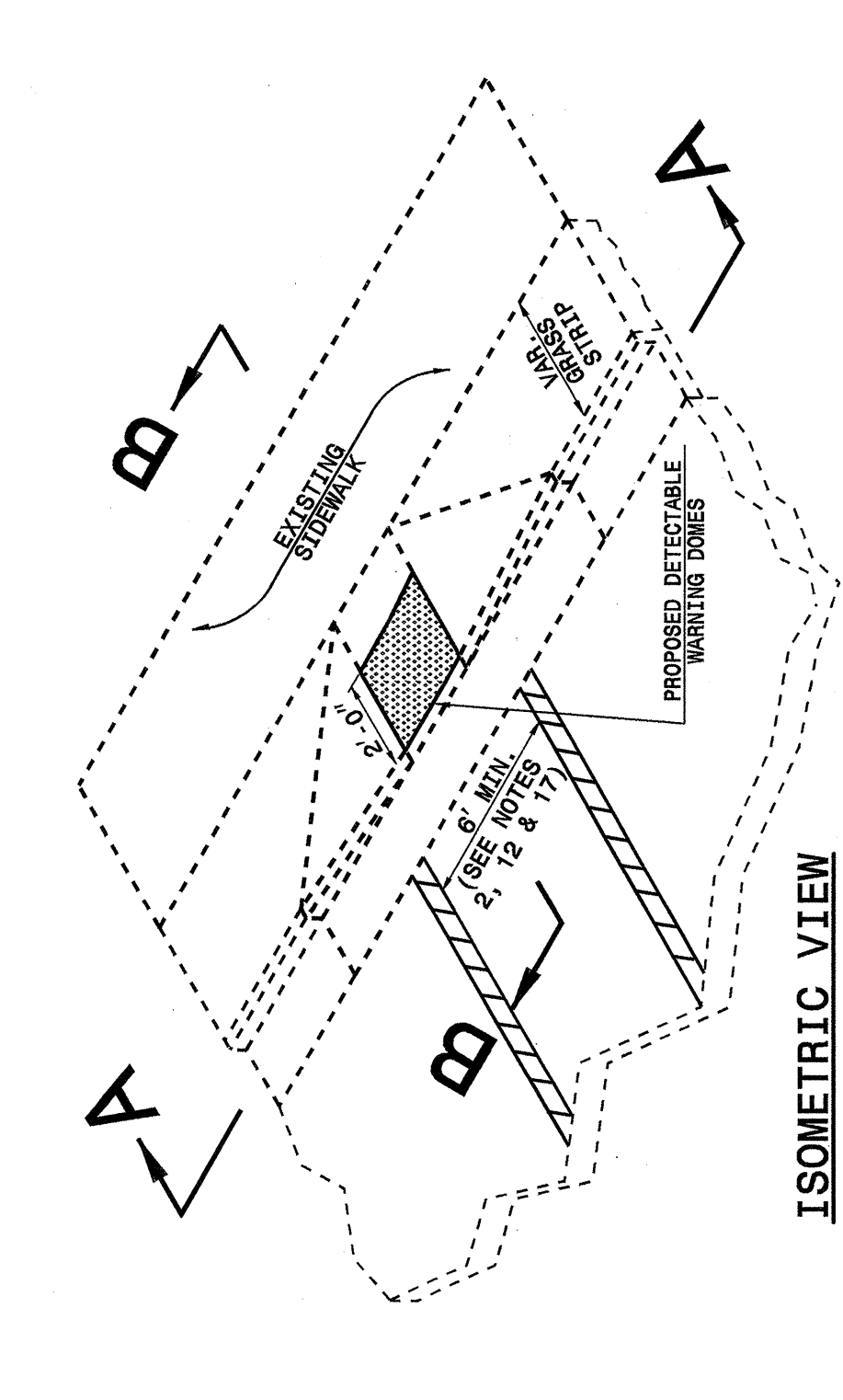
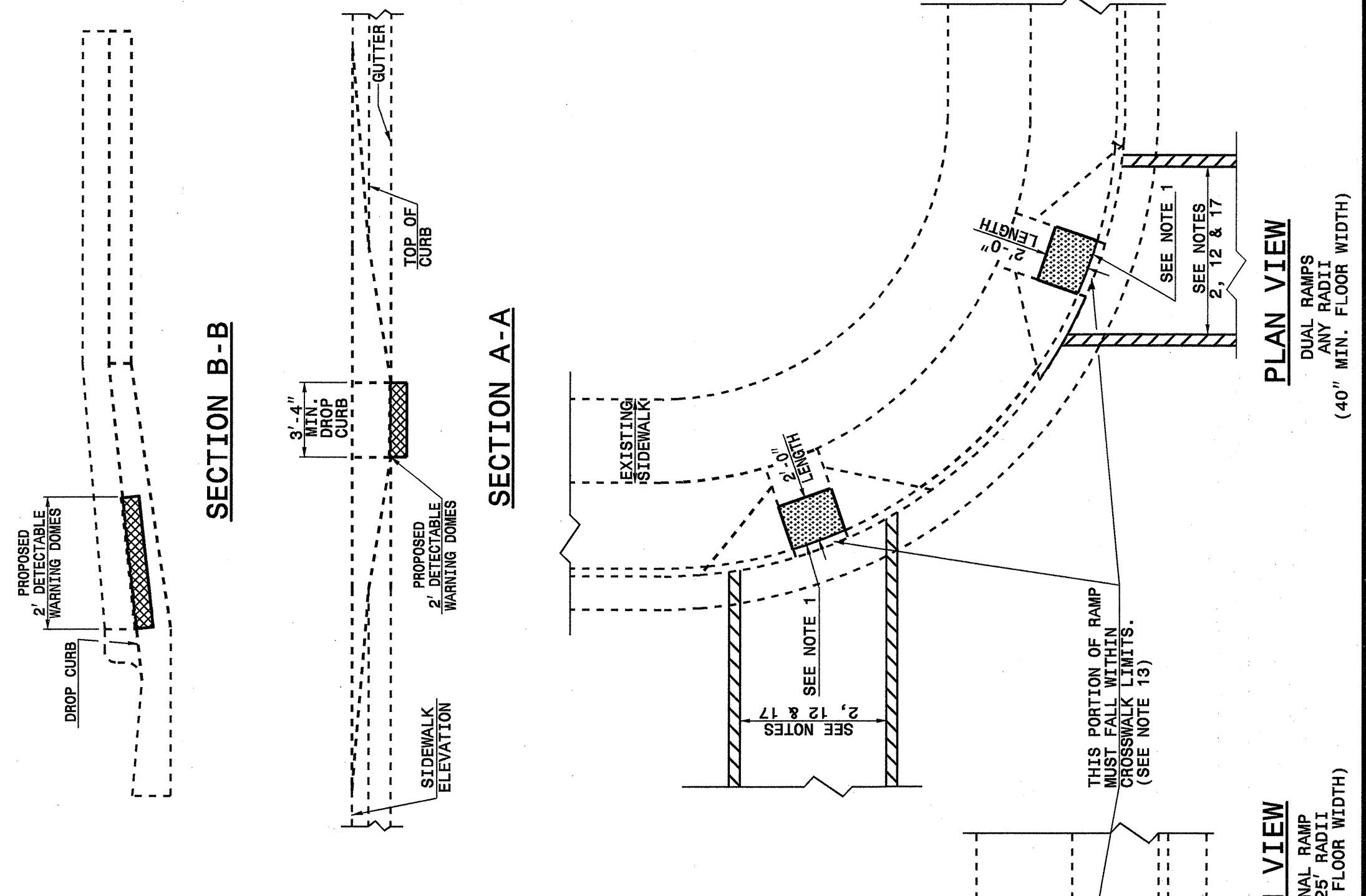
ENGLISH DETAIL DRAWING FOR WHEELCHAIR RAMP CURB CUT

SHEET 1 OF 4 848D05

STATE OF NORTH CAROLINA DEPT. OF TRANSPORTATION DIVISION OF HIGHWAYS RALEIGH, N.C.

ENGLISH DETAIL DRAWING FOR RETROFITTING DETECTABLE WARNING DOMES ONTO EXISTING WHEELCHAIR RAMP CURB CUT

SHEET 2 OF 4 848D05

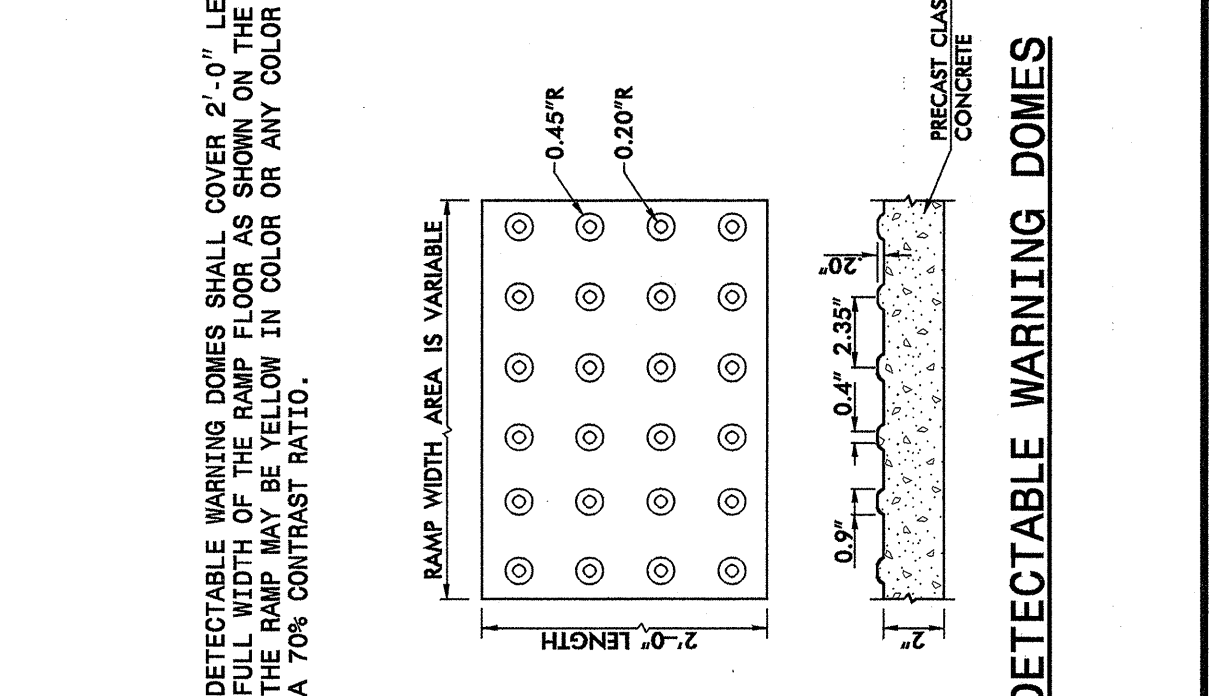


ROADWAY PLAN SYMBOL (CCFR) CURB CUT FOR FUTURE RAMP

ROADWAY PLAN SYMBOL (WCR) FOR PROPOSED WHEELCHAIR RAMP

W	A	W+A+9'	X	B
5'	0.0'	5.8'	5.8'	5.0'
6'	0.0'	6.8'	6.8'	6.0'
7'	0.0'	7.8'	7.3'	6.5'
8'	0.0'	8.8'	7.3'	6.5'
9'	2.0'	7.8'	7.8'	5.0'
5'	2.5'	8.3'	8.1'	4.8'
5'	3.0'	8.8'	8.3'	4.4'
5'	3.5'	9.3'	8.4'	4.1'
5'	4.0'	9.8'	8.6'	3.8'
5'	4.5'	10.3'	8.7'	3.4'
5'	5.0'	10.8'	8.9'	3.1'

NOTES:
 1. DETECTABLE WARNING DOMES SHALL COVER 2'-0" LENGTH AND FULL WIDTH OF THE RAMP FLOOR AS SHOWN ON THE DETAILS.
 2. THE RAMP MAY BE YELLOW IN COLOR OR ANY COLOR WITH A 70% CONTRAST RATIO.



STATE OF NORTH CAROLINA DEPT. OF TRANSPORTATION DIVISION OF HIGHWAYS RALEIGH, N.C.

ENGLISH DETAIL DRAWING FOR RETROFITTING DETECTABLE WARNING DOMES ONTO EXISTING WHEELCHAIR RAMP CURB CUT

SHEET 2 OF 4 848D05

DESIGN SERVICES UNIT
 STANDARDS AND SPECIAL DESIGN
 Office 919-250-4128 FAX 919-250-4119

SEE PLATE FOR TITLE

ORIGINAL BY: 2002 STD.848.05 DATE:
 MODIFIED BY: E.E. WARD DATE: 06-18-03
 CHECKED BY: [Signature] DATE: 6-03
 FILE SPEC.: /usr/stds/02todetail/english/84805/848d05.dgn



25-JUN-2003 10:34
 W:\Special Details\enr\ward\stds\02\stds to Special Details/english\84805\0848d05.dgn
 ericward AT 03:21:26