

STATE OF NORTH CAROLINA
DEPT. OF TRANSPORTATION
DIVISION OF HIGHWAYS
RALEIGH, N.C.

ENGLISH DETAIL DRAWING FOR
DROP INLET INSTALLATION IN EXPRESSWAY GUTTER

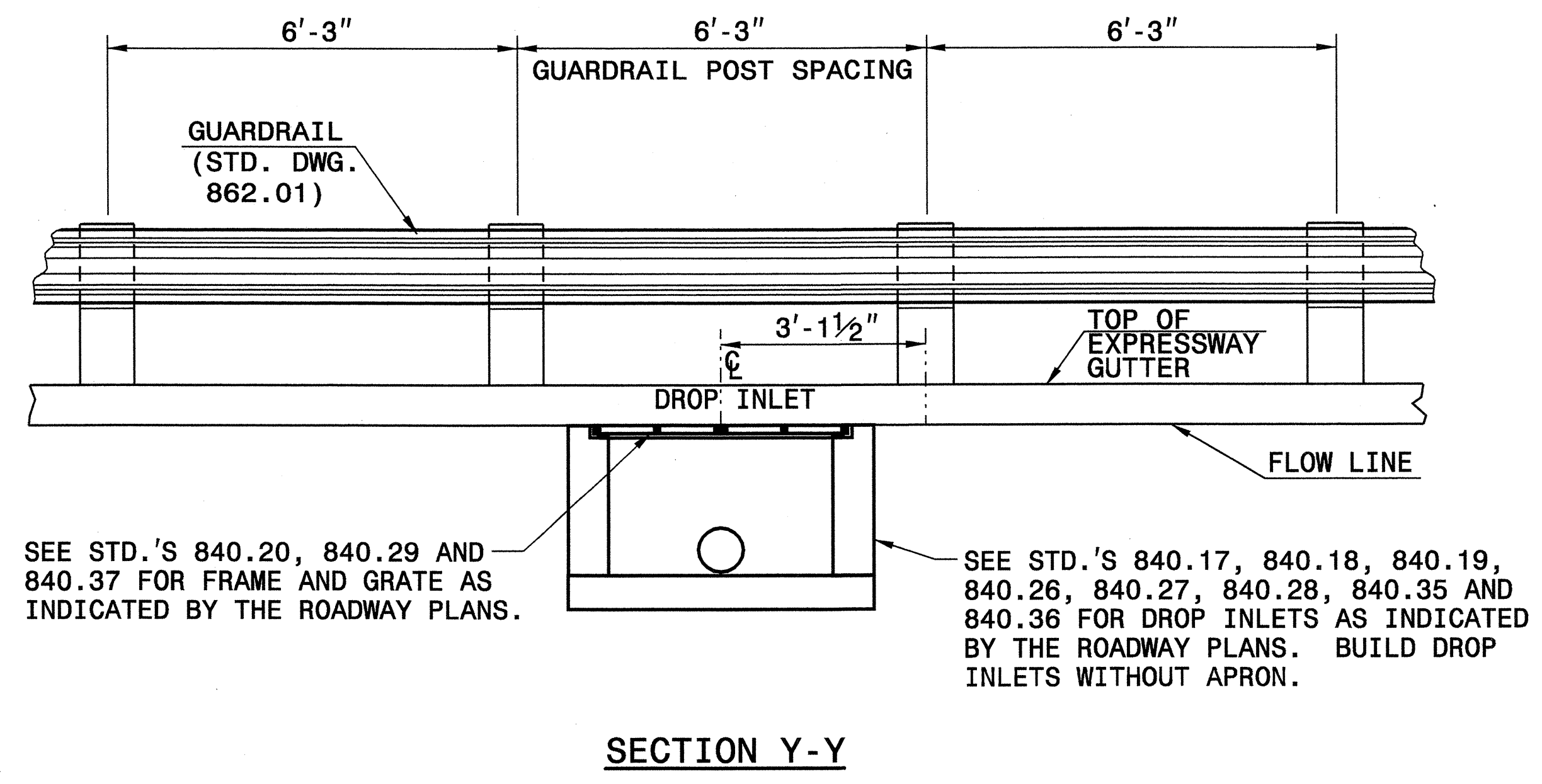
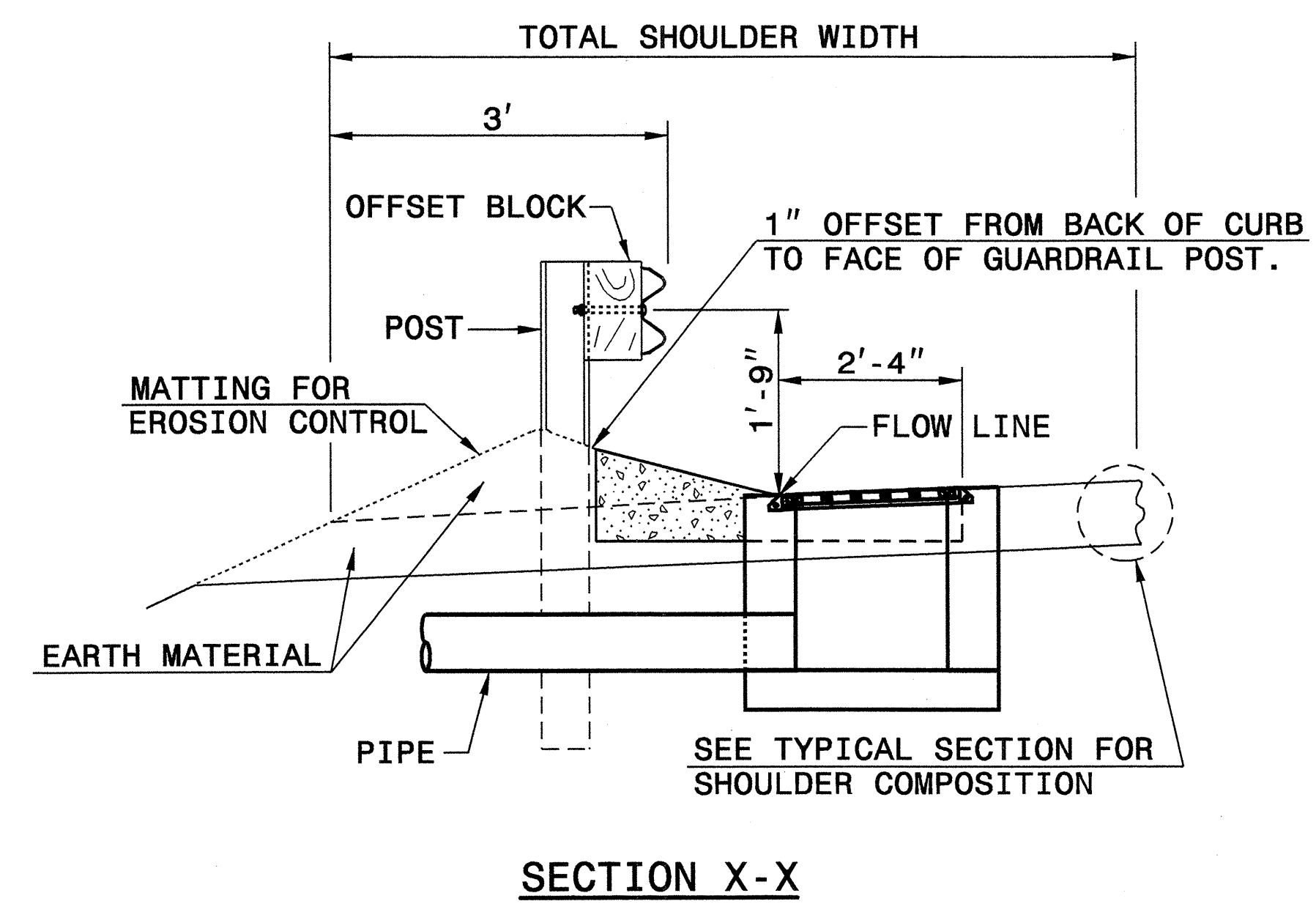
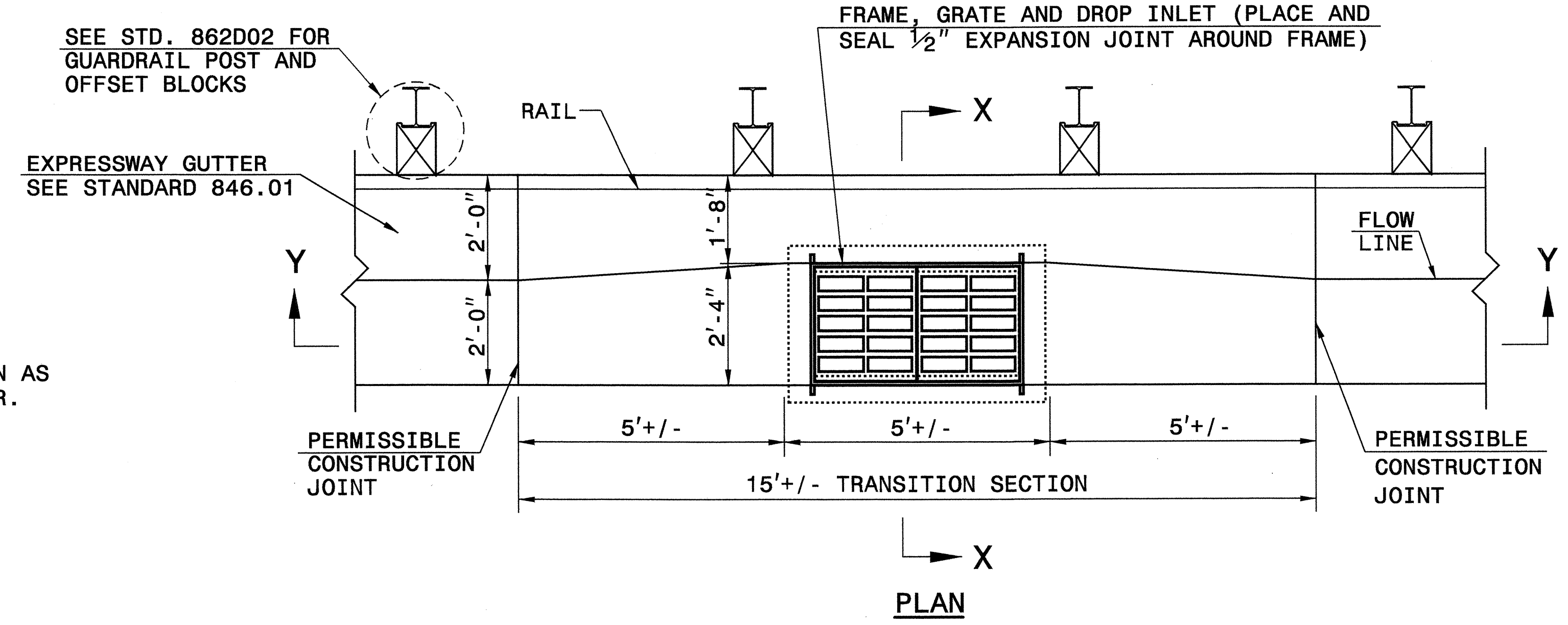
SHEET 1 OF 1
846D02

STATE OF NORTH CAROLINA
DEPT. OF TRANSPORTATION
DIVISION OF HIGHWAYS
RALEIGH, N.C.

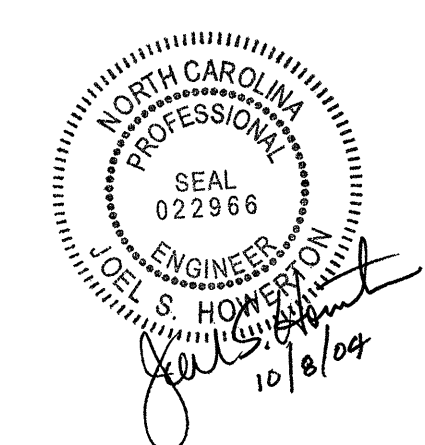
ENGLISH DETAIL DRAWING FOR
DROP INLET INSTALLATION IN EXPRESSWAY GUTTER

SHEET 1 OF 1
846D02

GENERAL NOTES:
-PAY FOR TRANSITION SECTION AS CONCRETE EXPRESSWAY GUTTER.
-GUARDRAIL OPTIONAL



DROP INLET INSTALLATION IN EXPRESSWAY GUTTER



DESIGN SERVICES UNIT
STANDARDS AND SPECIAL DESIGN
Office 919-250-4128 FAX 919-250-4119

SEE PLATE FOR TITLE

ORIGINAL BY: 2002 STANDARDS DATE: 01-15-02
 MODIFIED BY: E.E. WARD DATE: 04-07-04
 CHECKED BY: C.D. Perry DATE: 4-22-04
 FILE SPEC.: stds/02stds0details/english/846d02.dgn

5/14/99
07-APR-2004 16:53
C:\pwork\stds\stds\02\stds to Special Details/english\846d02.dgn
stds\02stds0details/english/846d02.dgn