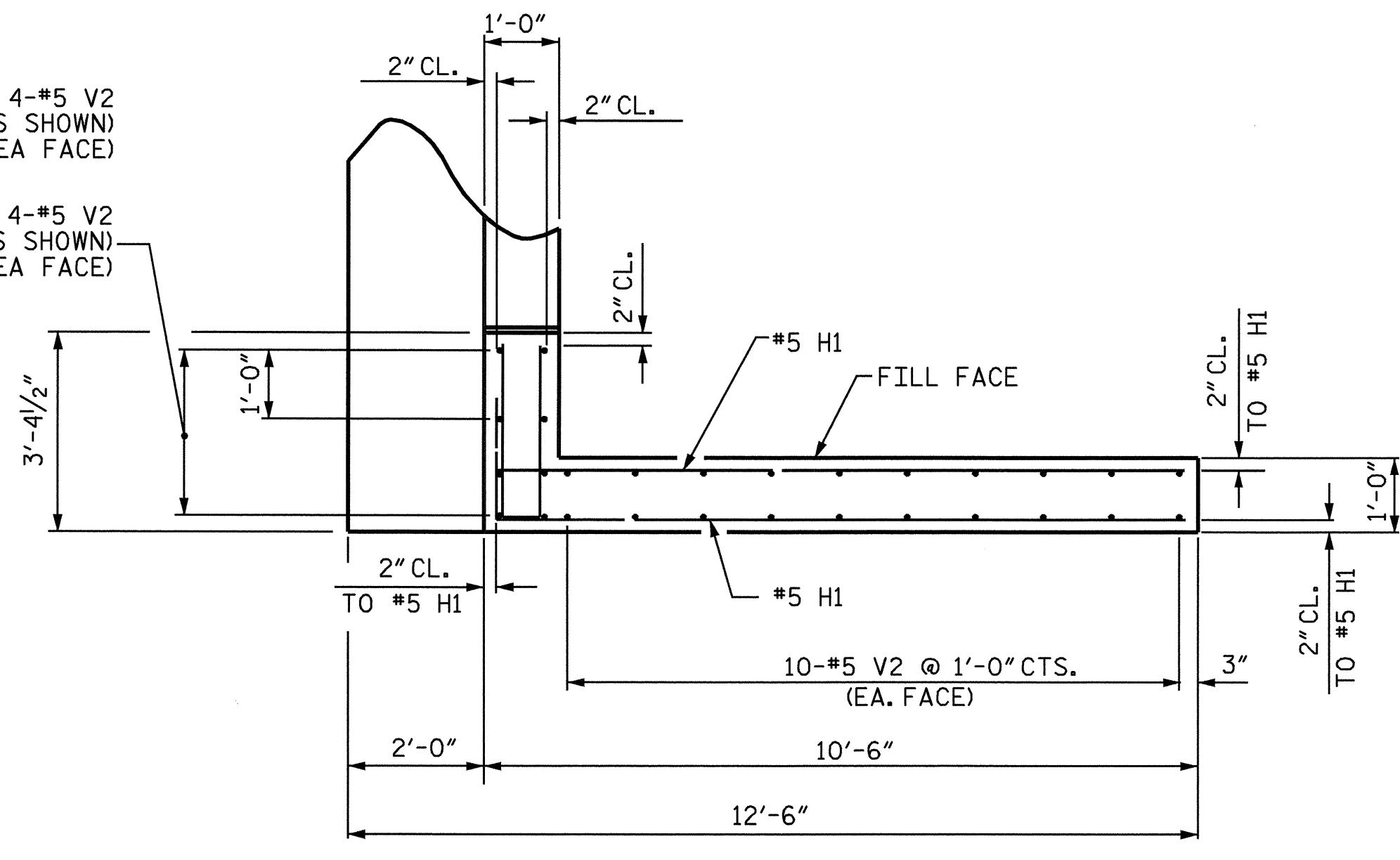
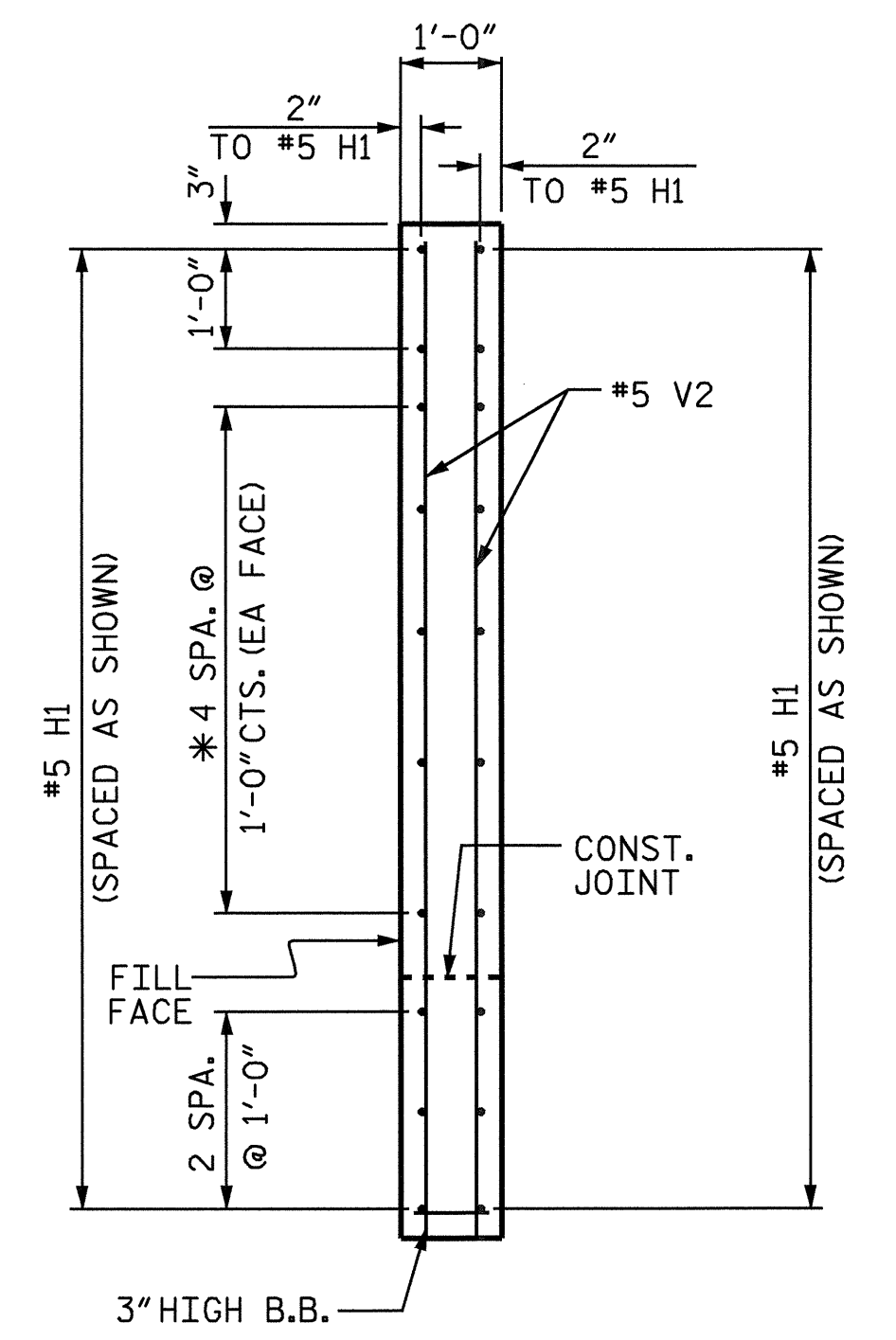


PLAN OF LEFT WING - W1

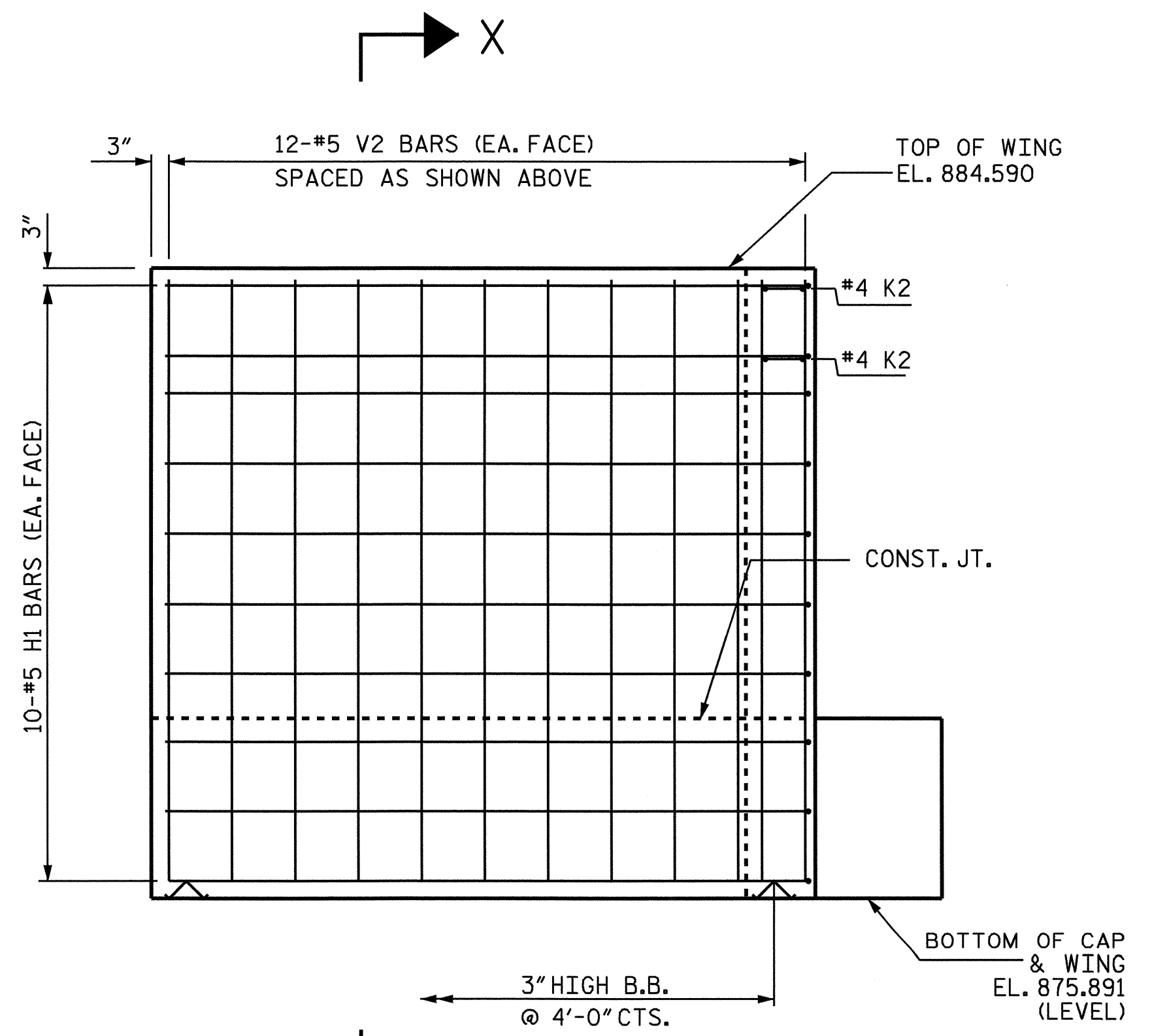


PLAN OF RIGHT WING - W2

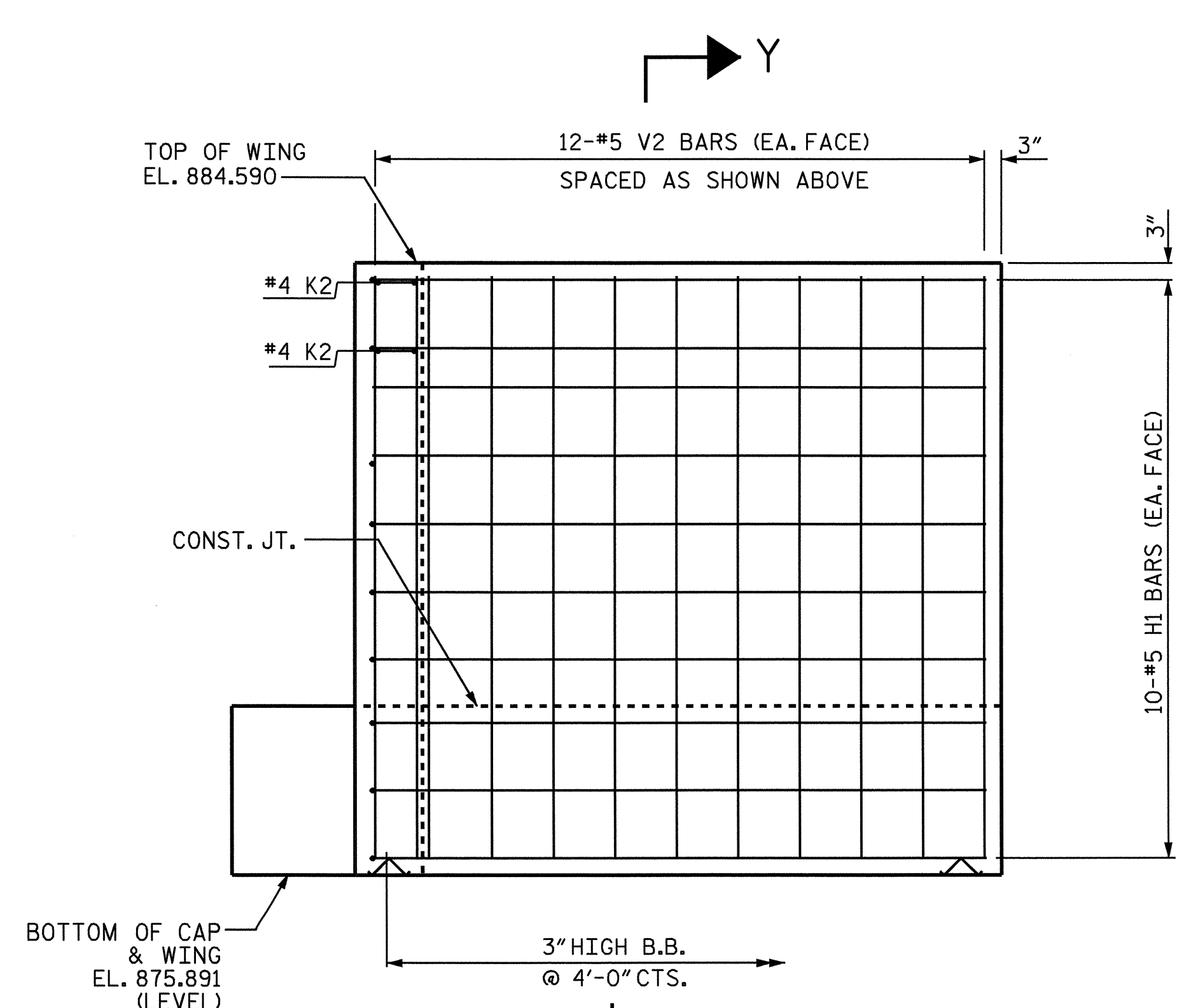


SECTION X-X & Y-Y

* MATCH "H" BARS WITH "K" BARS IN BACKWALL



ELEVATION OF WING - W1

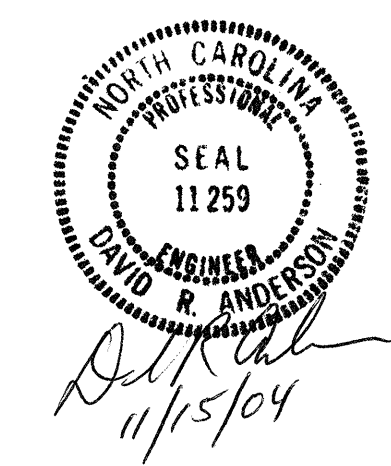


ELEVATION OF WING - W2

PROJECT NO. B-3350
IREDELL COUNTY
 STATION: 17+33.50 -L-

SHEET 2 OF 3

STATE OF NORTH CAROLINA
 DEPARTMENT OF TRANSPORTATION
 RALEIGH
 SUBSTRUCTURE
 END BENT 2



REVISIONS				SHEET NO.
NO.	BY:	DATE:	NO. BY:	DATE:
1			3	5-27
2			4	35

DRAWN BY: S. M. RASHIDI DATE: 5/2/03
 CHECKED BY: N. TRAN DATE: 5/19/03