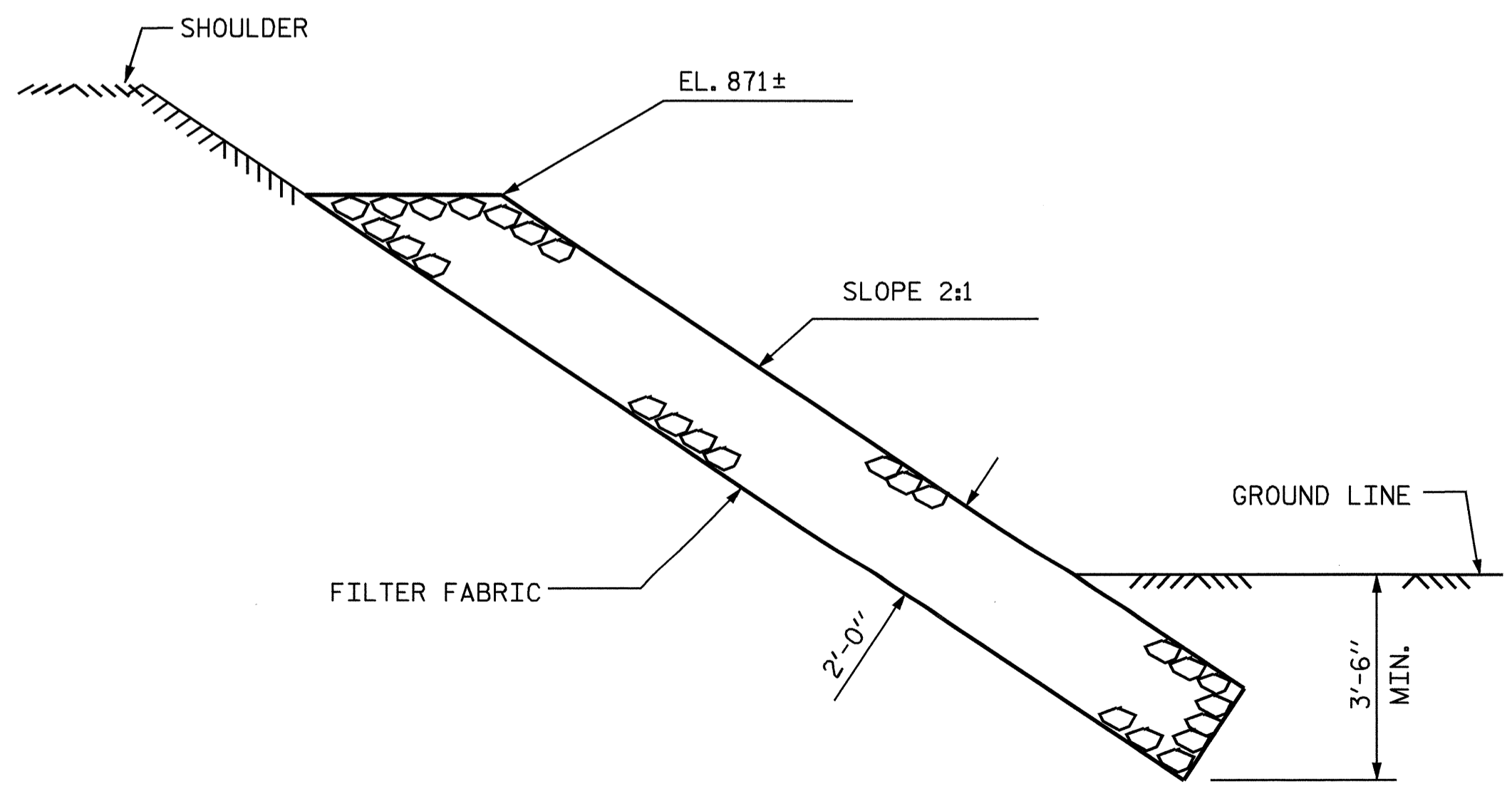
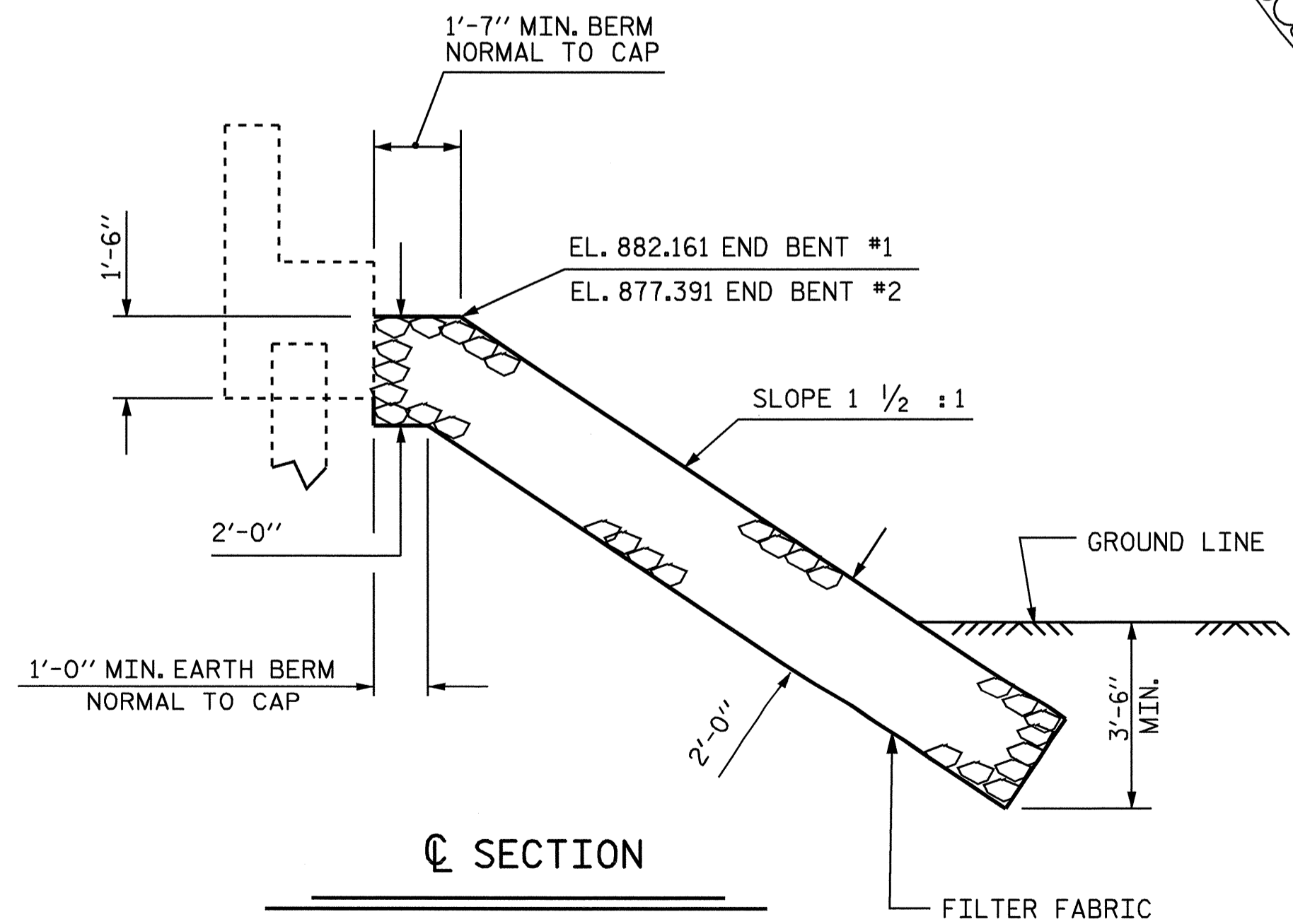


PLAN

ESTIMATED QUANTITIES		
BRIDGE @ STA. 17+33.50 -L-	PLAIN RIP RAP CLASS II	FILTER FABRIC FOR DRAINAGE
	TONS	SQUARE YARDS
END BENT 1	45	50
END BENT 2	235	260

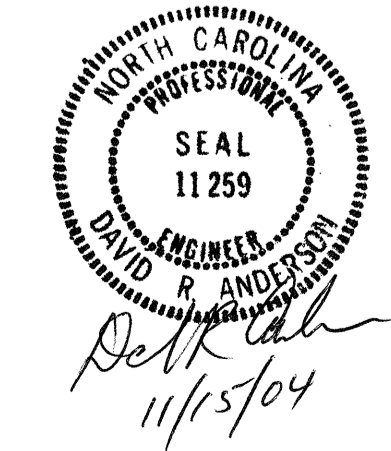


SECTION C-C



SECTION
BERM RIP RAP

PROJECT NO. B-3350
IREDELL COUNTY
 STATION: 17+33.50 -L-



STATE OF NORTH CAROLINA
 DEPARTMENT OF TRANSPORTATION
 RALEIGH

RIP RAP DETAILS

DRAWN BY: S. M. RASHIDI DATE: 6/21/02
 CHECKED BY: K. P. SEDA DATE: 7/2/02

REVISIONS						SHEET NO.
NO.	BY:	DATE:	NO.	BY:	DATE:	TOTAL SHEETS
1			3			35
2			4			