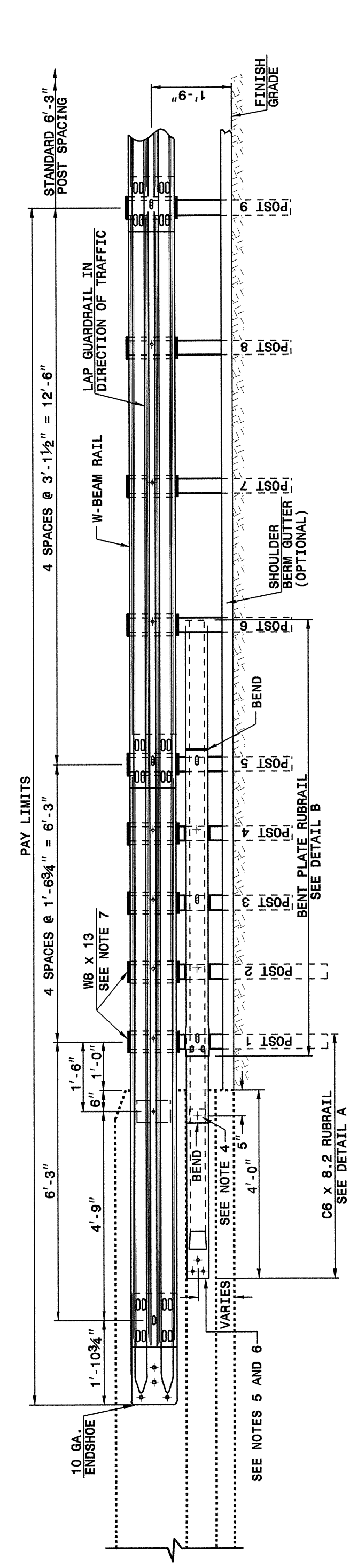


STATE OF NORTH CAROLINA
DEPT. OF TRANSPORTATION
DIVISION OF HIGHWAYS
RALEIGH, N.C.

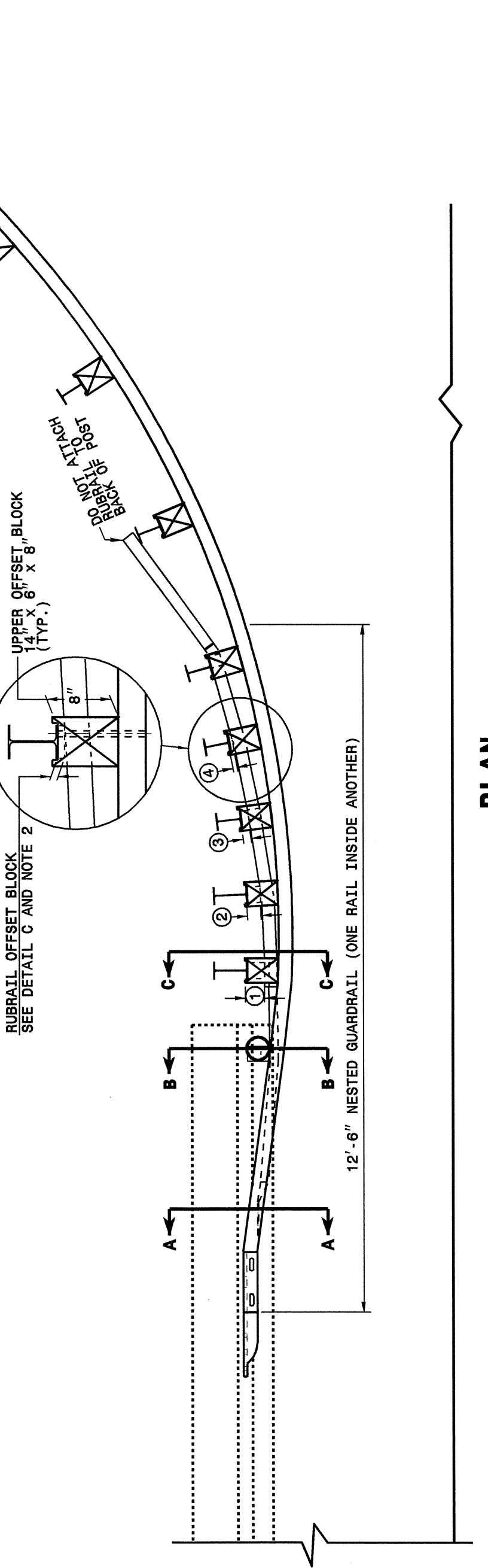
ENGLISH DETAIL DRAWING FOR
GUARDRAIL ANCHOR UNIT
TYPE B-77 SHOP CURVED

SHEET 1 OF 2
B-77SC



ELEVATION

- GENERAL NOTES:
- POSTS 1 THROUGH 5 REQUIRE AN ADDITIONAL HOLE TO ATTACH LOWER BLOCKOUTS AND/OR RUBRAIL. RUBRAIL BLOCKOUTS SHALL BE ATTACHED TO POSTS 2 AND 4. SECURE RUBRAIL AND BLOCKOUTS TO POSTS 1 AND 3. RUBRAIL IS SECURED TO POST 5 WITH A 5/8" x 4 1/2" BUTT WASH AND 5/8" BUTT WASH. RUBRAIL IS FLARED TO BACK OF POST 6 AND NOT SECURED.
 - STEEL SPACER TUBE IS A SCHEDULE 40 GALVANIZED PIPE 6" INSIDE DIAMETER x 9' LONG. ATTACH TUBE TO GUARDRAIL ONLY WITH 3/8" x 1 1/4" LONG BUTT WASH AND RECTANGULAR PLATE WASHER.
 - SHOP FABRICATE THE C6 x 8.2 RUBRAIL END TO BE CONSISTENT WITH THE SLOPE OF THE JERSEY SHAPE AND ATTACH FLUSH WITH THE SLOPED TOE OF THE BARRIER OR BRIDGE RAIL.
 - ANCHORAGE: (a) AT EXISTING BRIDGE RAIL AND NEW OR EXISTING BARRIERS, RUBRAIL SHALL BE ANCHORED USING THREE 5/8" x 6" CHEMICALLY ANCHORED ANCHORS PER RAIL. (b) AT EXISTING BRIDGE RAIL AND NEW OR EXISTING BARRIERS, THE W-BEAM END SHOE SHALL BE ANCHORED USING A 4" BOLT HOLD DOWN PLATE. INSTALLED BEHIND THE NESTED W-BEAM ELEMENTS. (c) AT NEW BRIDGE RAIL, THE W-BEAM END SHOE AND RUBRAIL SHALL BE ANCHORED AS DETAILED ON THE STRUCTURE PLANS.
 - POSTS 1 AND 2 ARE W8 x 13, 7'-6" LONG. ALL OTHER POSTS IN THE ANCHOR UNIT ARE W8 x 6.5.



PLAN

GUARDRAIL ANCHOR UNIT TYPE B-77

SHEET 1 OF 2
B-77SC

STATE OF NORTH CAROLINA
DEPT. OF TRANSPORTATION
DIVISION OF HIGHWAYS
RALEIGH, N.C.

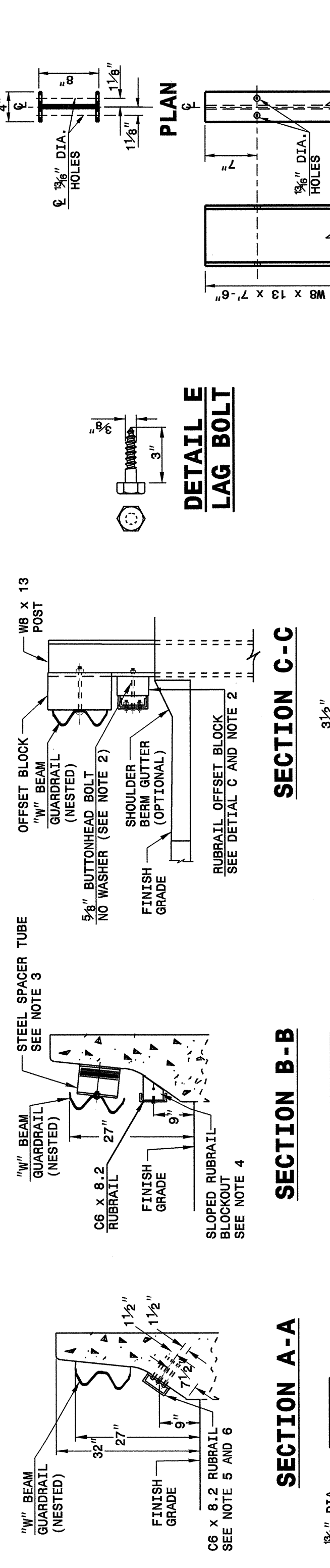
ENGLISH DETAIL DRAWING FOR
GUARDRAIL ANCHOR UNIT
TYPE B-77 SHOP CURVED

SHEET 1 OF 2
B-77SC

STATE OF NORTH CAROLINA
DEPT. OF TRANSPORTATION
DIVISION OF HIGHWAYS
RALEIGH, N.C.

ENGLISH DETAIL DRAWING FOR
GUARDRAIL ANCHOR UNIT
TYPE B-77 SHOP CURVED

SHEET 2 OF 2
B-77SC



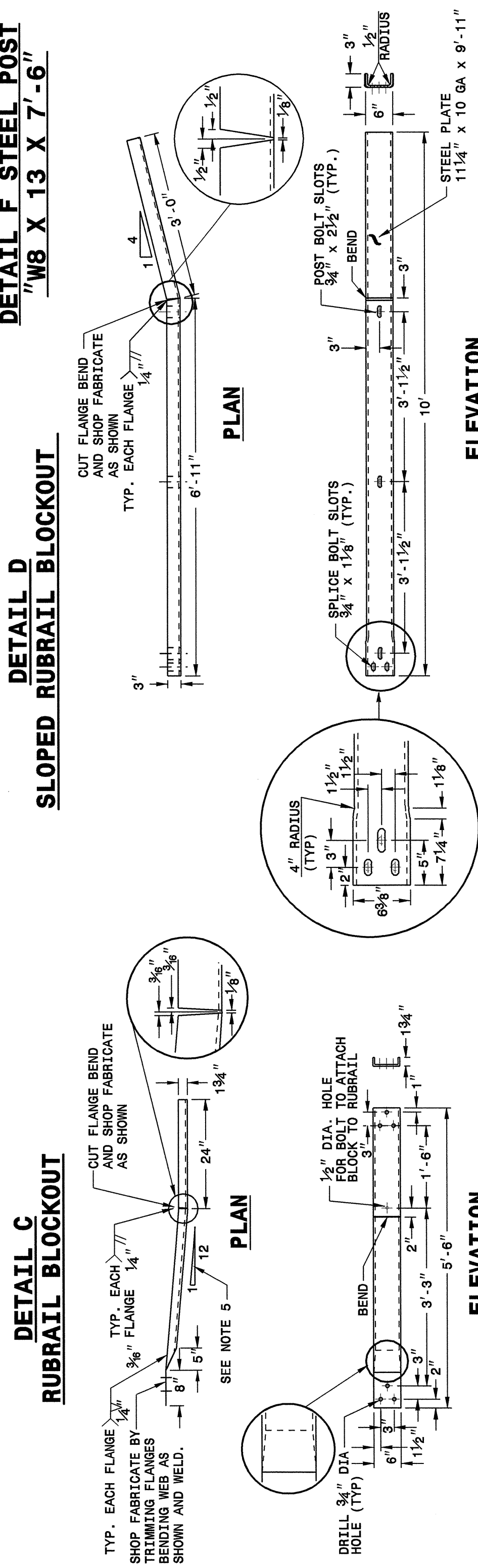
SECTION C-C

SECTION B-B

SECTION A-A

POST	THICKNESS	BOLT LENGTH
1	4 1/4"	9"
2	3 1/4"	5"
3	4"	6"

* BOLTS FOR POSTS 2 AND 4 ARE USED TO ATTACH BLOCK TO POST. RUBRAIL NOT ATTACHED TO BLOCK.



DETAIL C
RUBRAIL BLOCKOUT

DETAIL D
SLOPED RUBRAIL BLOCKOUT

DETAIL F
STEEL POST
W8 X 13 X 7'-6"

DETAIL A

DETAIL B
BENT PLATE RUBRAIL

DETAIL E
LAG BOLT

PROJECT SERVICES UNIT
STANDARDS AND SPECIAL DESIGN
Office 919-250-4128 FAX 919-250-4119

SEE PLATE FOR TITLE

ORIGINAL BY: E.E. WARD DATE: 06-04-04
MODIFIED BY: DATE:
CHECKED BY: DATE: 11/30/04
FILE SPEC.: m:\sguardrail\NCHRP350approved\B-77.dgn

06-04-2004 08:08
 W:\eeca\Design\misc_guardrail\NCHRP350 Approved\B-77 ConnDot.dgn
 ericward AT 0521226