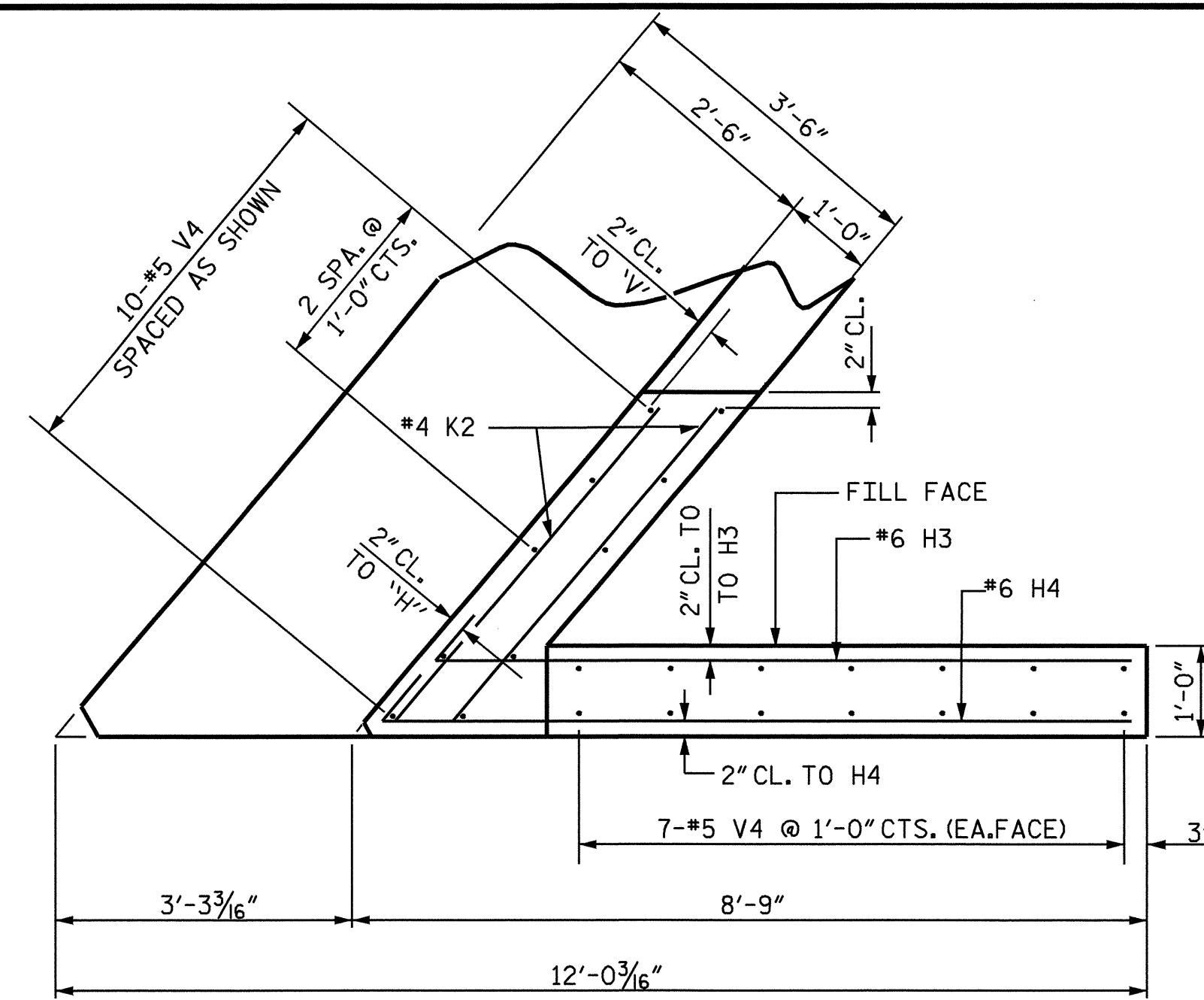
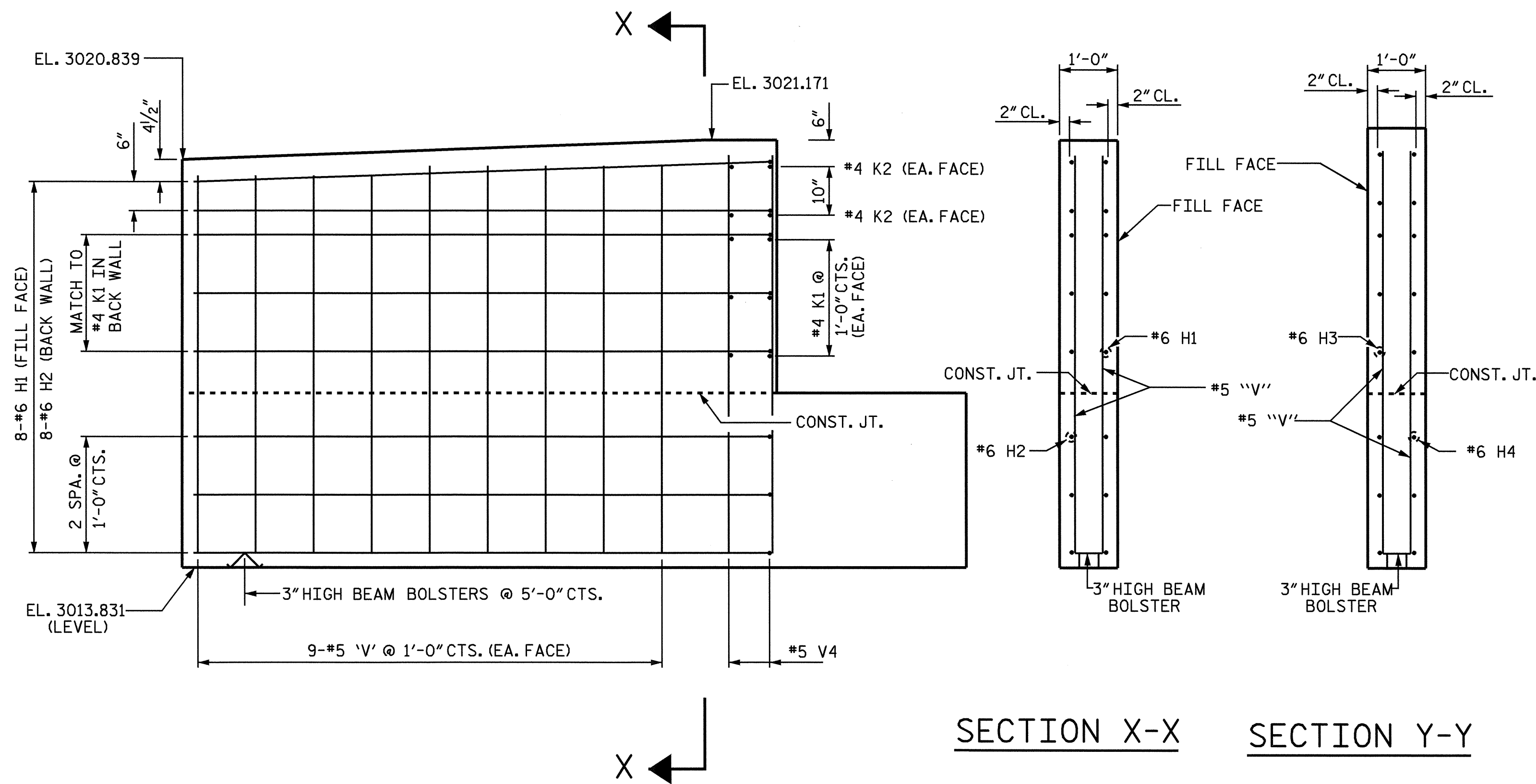


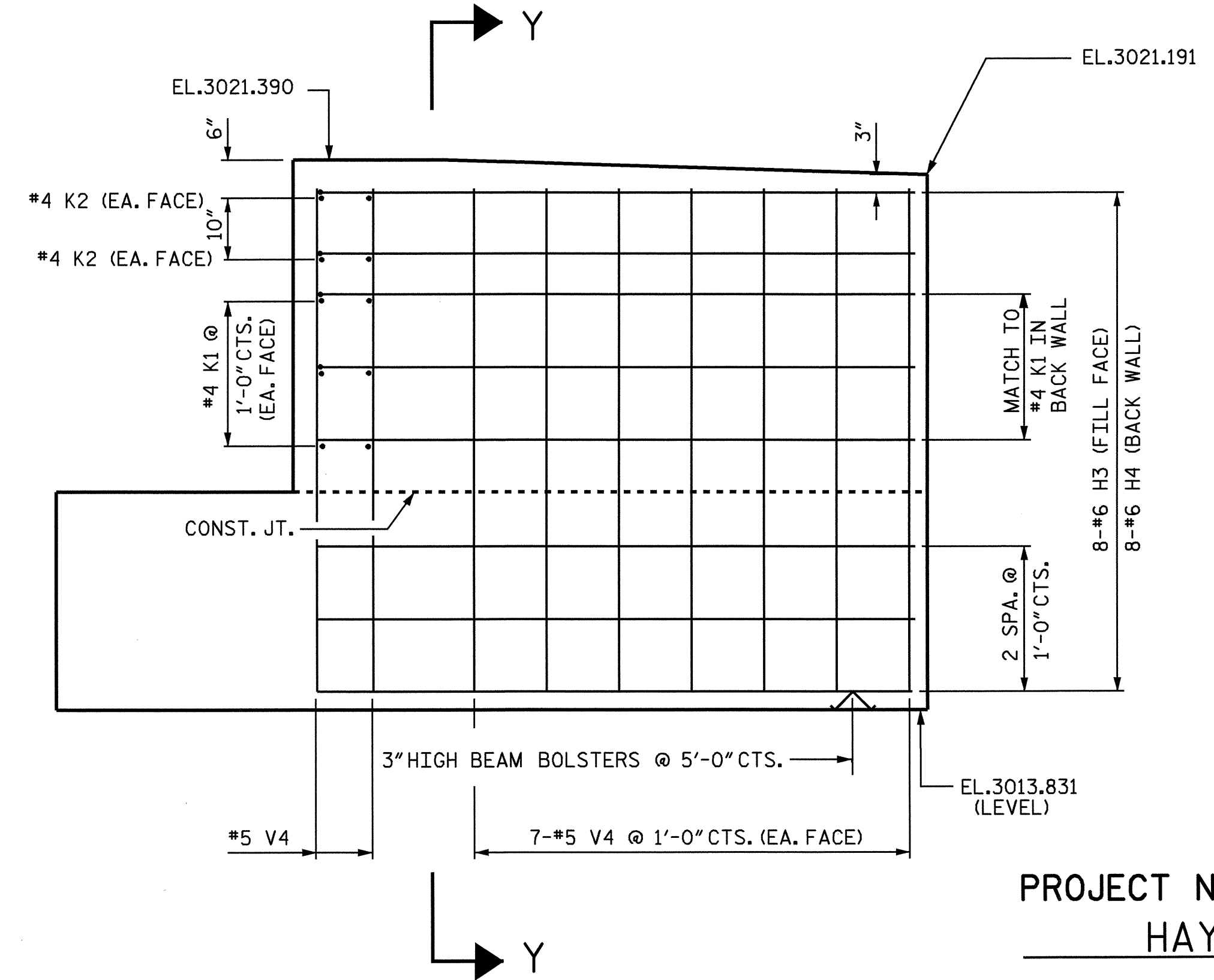
PLAN OF WING W3



PLAN OF WING W4



ELEVATION OF WING W3



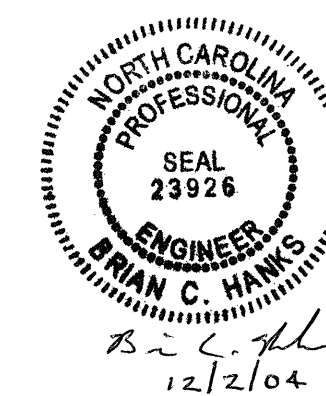
ELEVATION OF WING W4

PROJECT NO. B-3659
HAYWOOD COUNTY
 STATION: 14+42.00 -L-

SHEET 2 OF 3

STATE OF NORTH CAROLINA
 DEPARTMENT OF TRANSPORTATION
 RALEIGH

SUBSTRUCTURE
 END BENT 2



DRAWN BY: K. K. PUROHIT DATE: 01/21/04
 CHECKED BY: A. B. NAIK DATE: 02/05/04

30-NOV-2004 15:00
 W:\squadg\TURNED_IN\B3659\FINAL_PLANS\B3659_SD_E*.01.dgn
 rwwright

REVISIONS						SHEET NO. S-18
NO.	BY:	DATE:	NO.	BY:	DATE:	
1			3			TOTAL SHEETS 23
2			4			