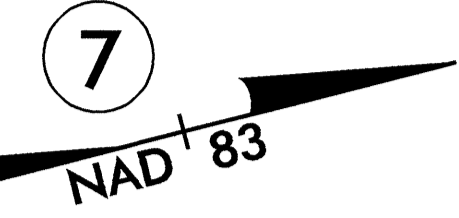


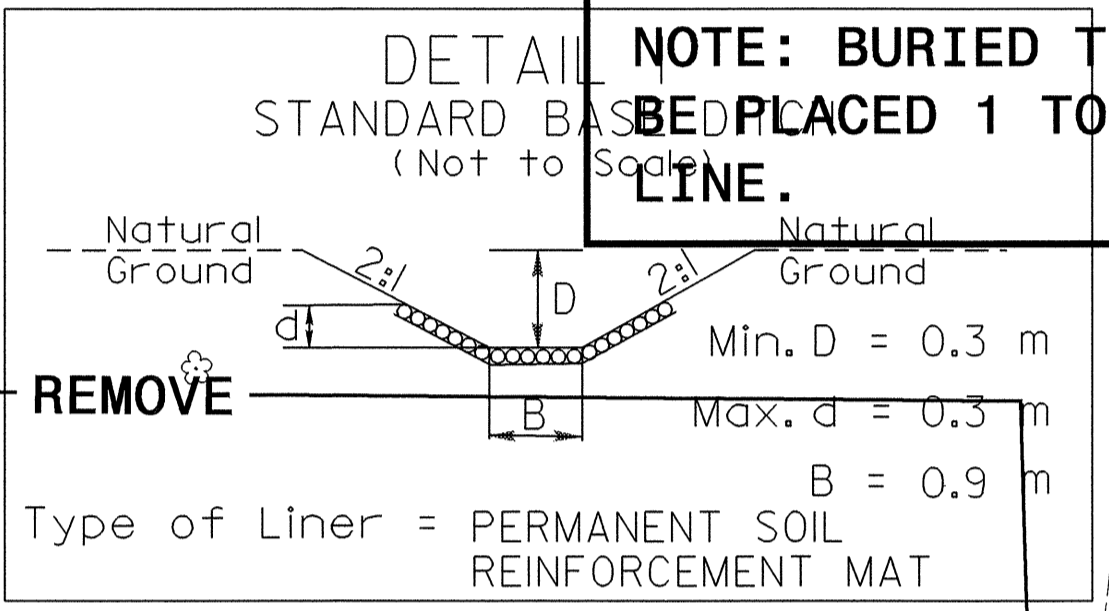
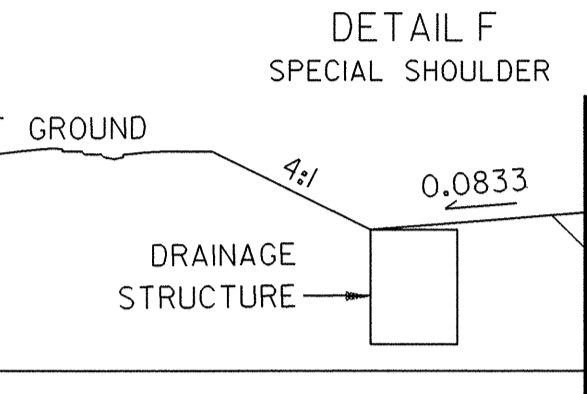
NOTE: ALL PROPOSED UTILITY WORK SHOWN ON THIS SHEET WILL BE DONE BY OTHERS



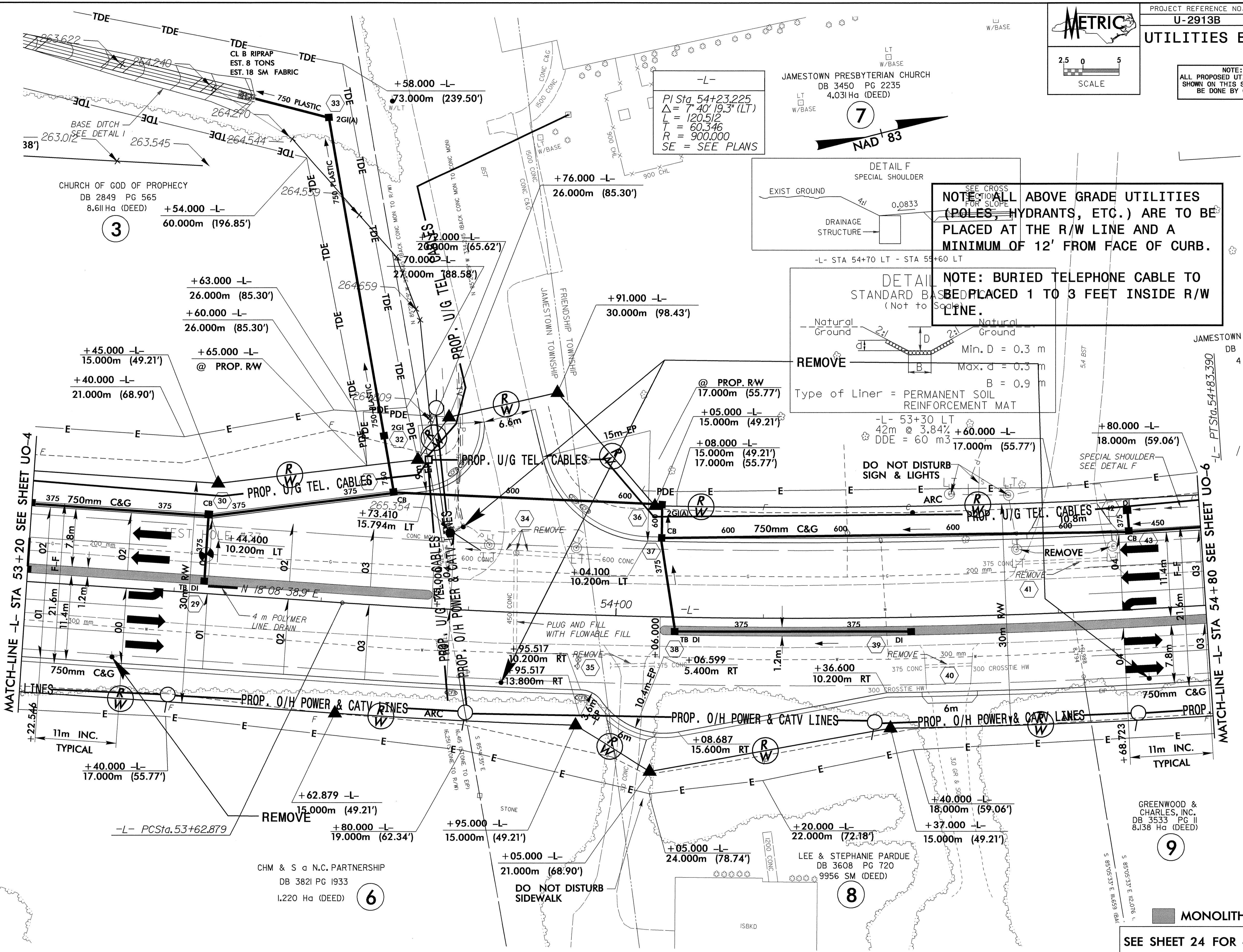
-L-  
PI Sta. 54+23.225  
Δ = 7° 40' 19.3" (LT)  
L = 120.512  
T = 60.346  
R = 900.000  
SE = SEE PLANS

NOTE: ALL ABOVE GRADE UTILITIES (POLES, HYDRANTS, ETC.) ARE TO BE PLACED AT THE R/W LINE AND A MINIMUM OF 12' FROM FACE OF CURB.

NOTE: BURIED TELEPHONE CABLE TO BE PLACED 1 TO 3 FEET INSIDE R/W LINE.



DO NOT DISTURB SIGN & LIGHTS



MATCH-LINE -L- STA 53+20 SEE SHEET UO-4

MATCH-LINE -L- STA 54+80 SEE SHEET UO-6

GREENWOOD & CHARLES, INC. DB 3533 PG II 8.138 Ha (DEED)

LEE & STEPHANIE PARDUE DB 3608 PG 720 9956 SM (DEED)

CHM & S a N.C. PARTNERSHIP DB 3821 PG 1933 1.220 Ha (DEED)

MONOLITHIC ISLAND SEE SHEET 24 FOR -L- PROFILE

07-001-2004 18533 14x2913bs\_UO5.plt