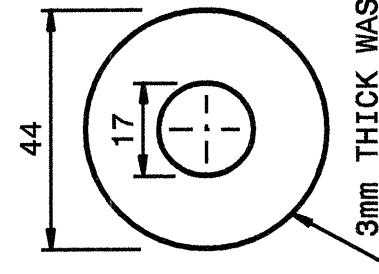
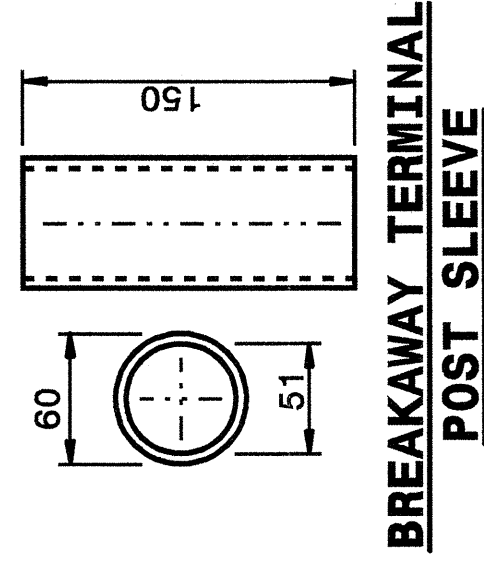


I:\2004\0507
 W:\Special Details\ericward\stds\02\Stds to Special Details\metric\862d02\0862d02m.dgn
 ericward AT DS212260

STATE OF
 NORTH CAROLINA
 DEPT. OF TRANSPORTATION
 DIVISION OF HIGHWAYS
 RALEIGH, N.C.

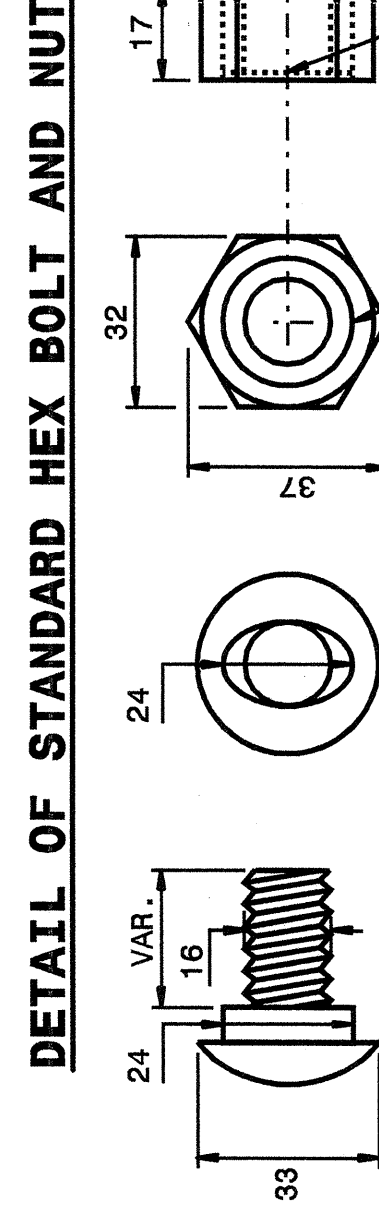
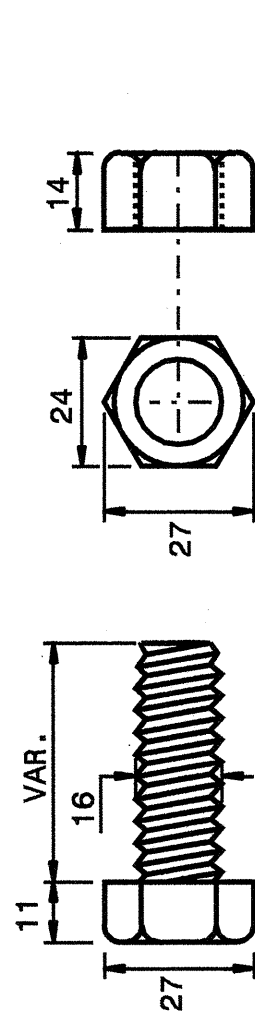
METRIC DETAIL DRAWING FOR
GUARDRAIL INSTALLATION

SHEET 5 OF 7
862D02

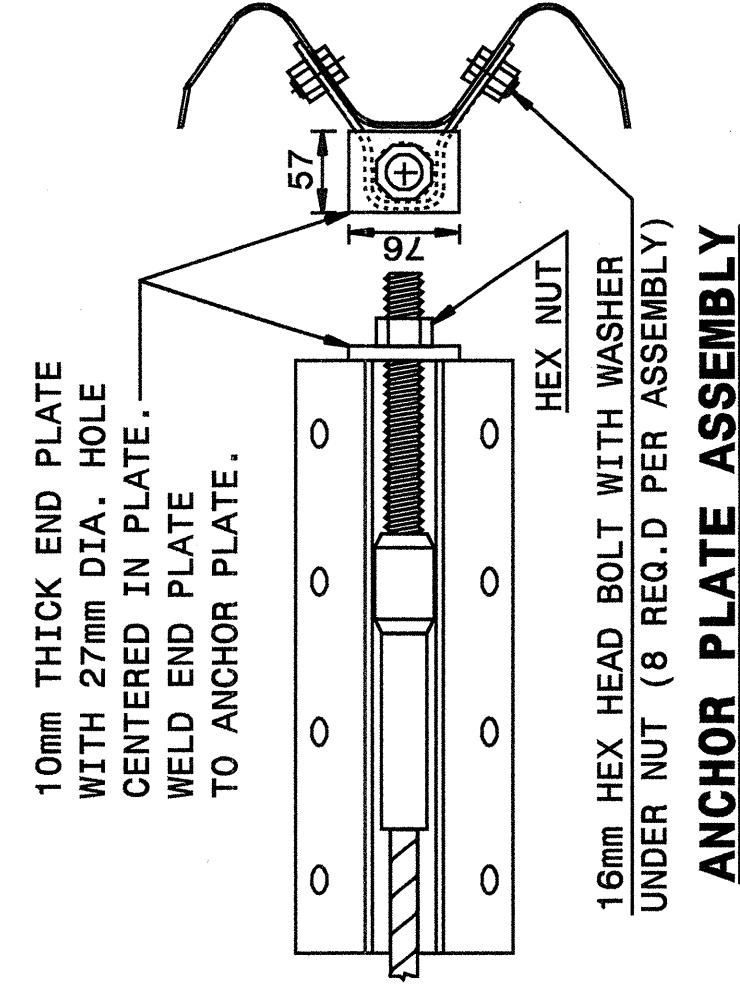


DETAIL OF STANDARD WASHER

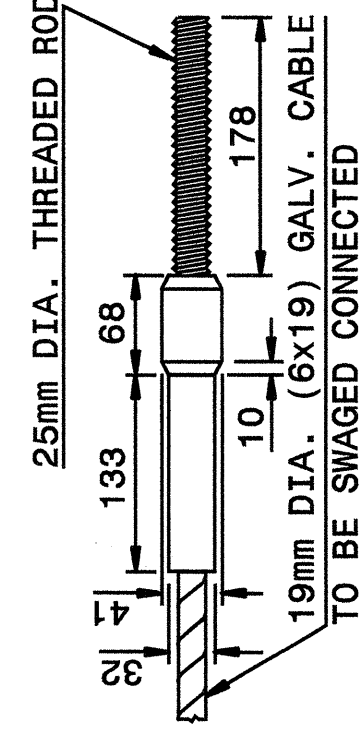
STANDARD WASHER: TYPICAL USE UNDER NUT WITH WOOD POST



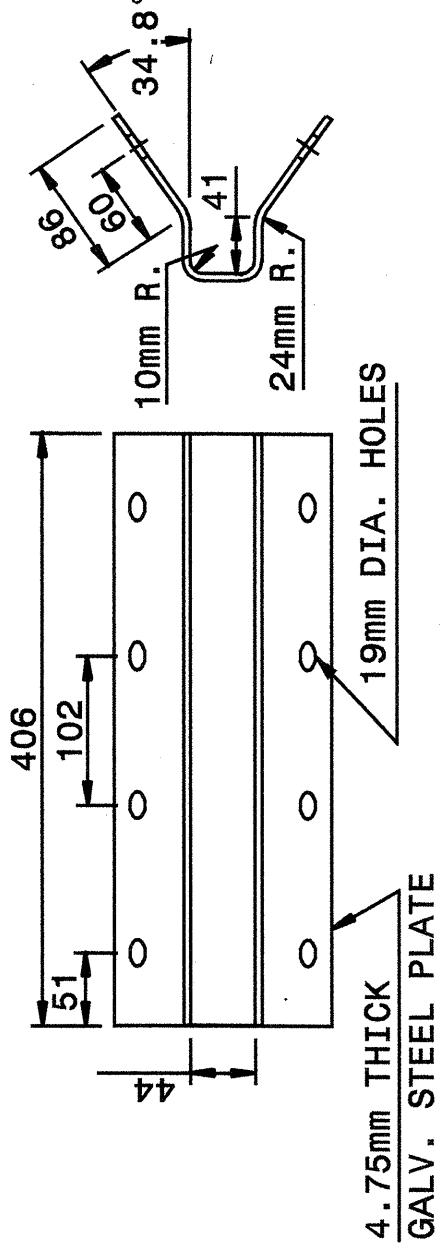
Note:
 This drawing is dimensioned in millimeters unless otherwise depicted within the drawing.



16mm HEX HEAD BOLT WITH WASHER UNDER NUT (8 REQ.D PER ASSEMBLY)



ANCHOR PLATE



SYSTEM PARTS

SHEET 5 OF 7
862D02

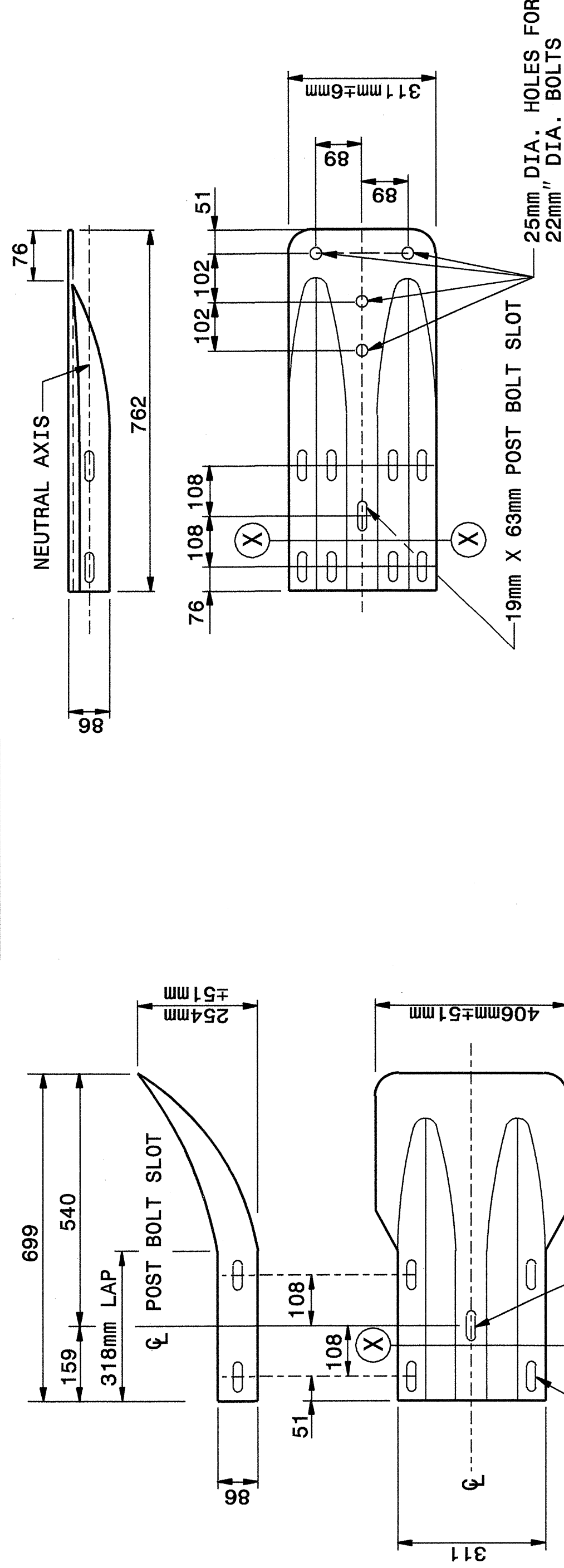
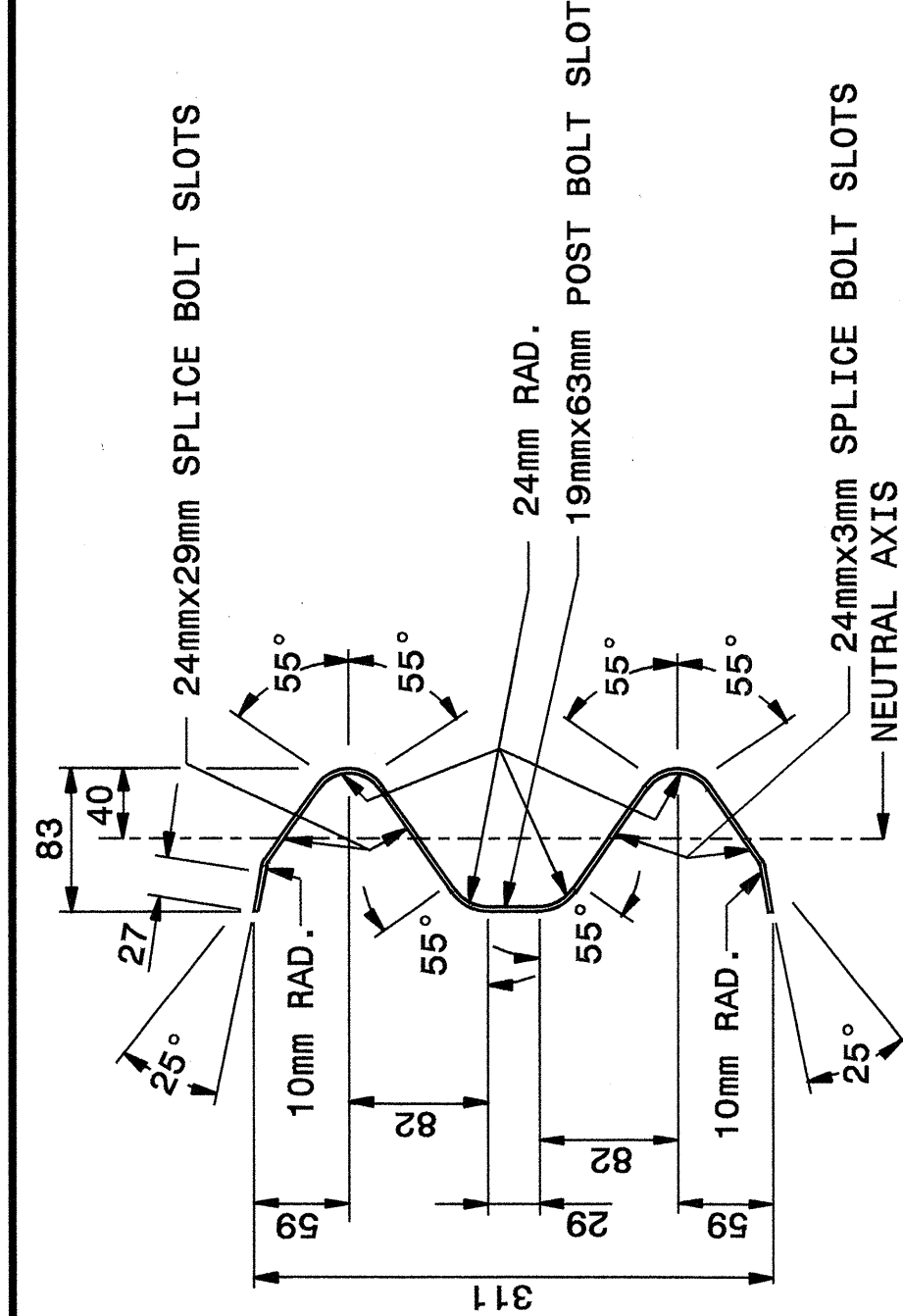
STATE OF
 NORTH CAROLINA
 DEPT. OF TRANSPORTATION
 DIVISION OF HIGHWAYS
 RALEIGH, N.C.

METRIC DETAIL DRAWING FOR
GUARDRAIL INSTALLATION

STATE OF
 NORTH CAROLINA
 DEPT. OF TRANSPORTATION
 DIVISION OF HIGHWAYS
 RALEIGH, N.C.

METRIC DETAIL DRAWING FOR
GUARDRAIL INSTALLATION

SHEET 6 OF 7
862D02



Note:
 This drawing is dimensioned in millimeters unless otherwise depicted within the drawing.

SYSTEM PARTS - GENERAL USE

METRIC DETAIL DRAWING FOR
GUARDRAIL INSTALLATION

STATE OF
 NORTH CAROLINA
 DEPT. OF TRANSPORTATION
 DIVISION OF HIGHWAYS
 RALEIGH, N.C.

DESIGN SERVICES UNIT
 STANDARDS AND SPECIAL DESIGN
 Office 919-250-4128 FAX 919-250-4119

SEE PLATE FOR TITLE

ORIGINAL BY: 2002 STD.862.02 DATE:
 MODIFIED BY: E.E. WARD DATE: 02-09-03
 CHECKED BY: J.S. HOWERTON DATE: 7/13/04
 FILE SPEC.: I:\sp\stds\02\stdetail\metric\862d02\862d02m.dgn

