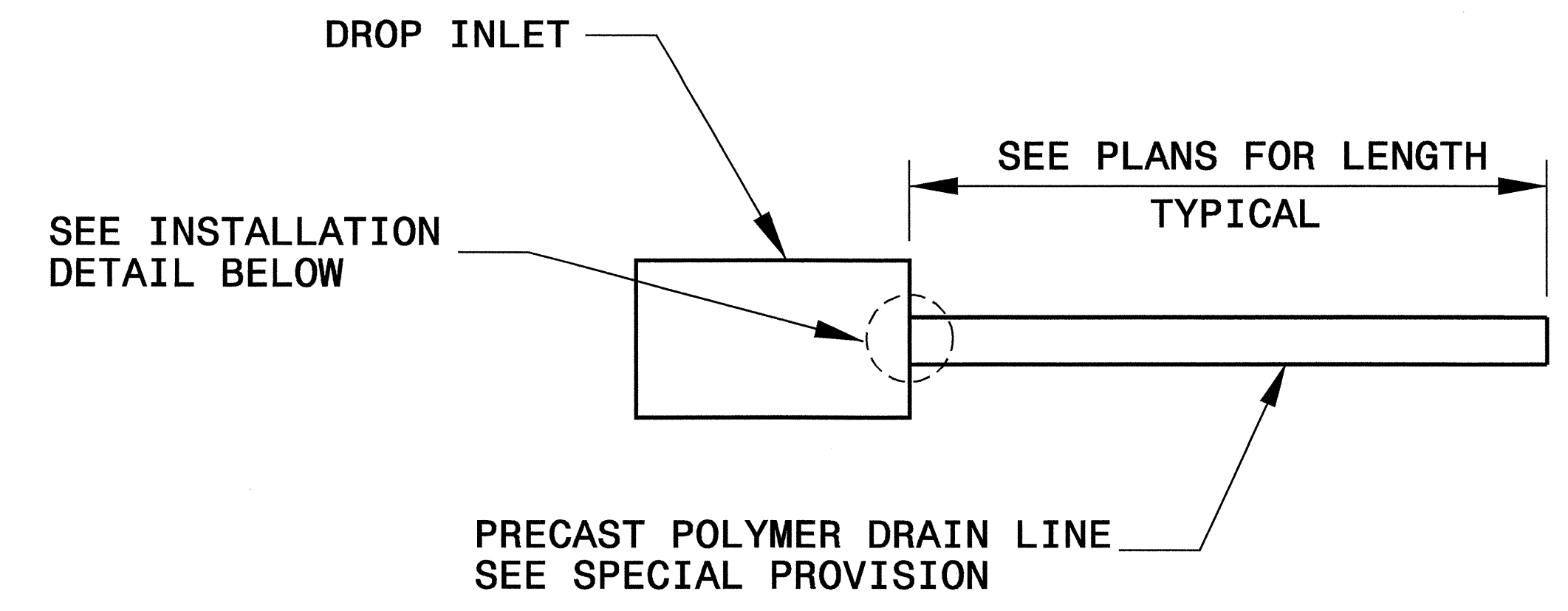
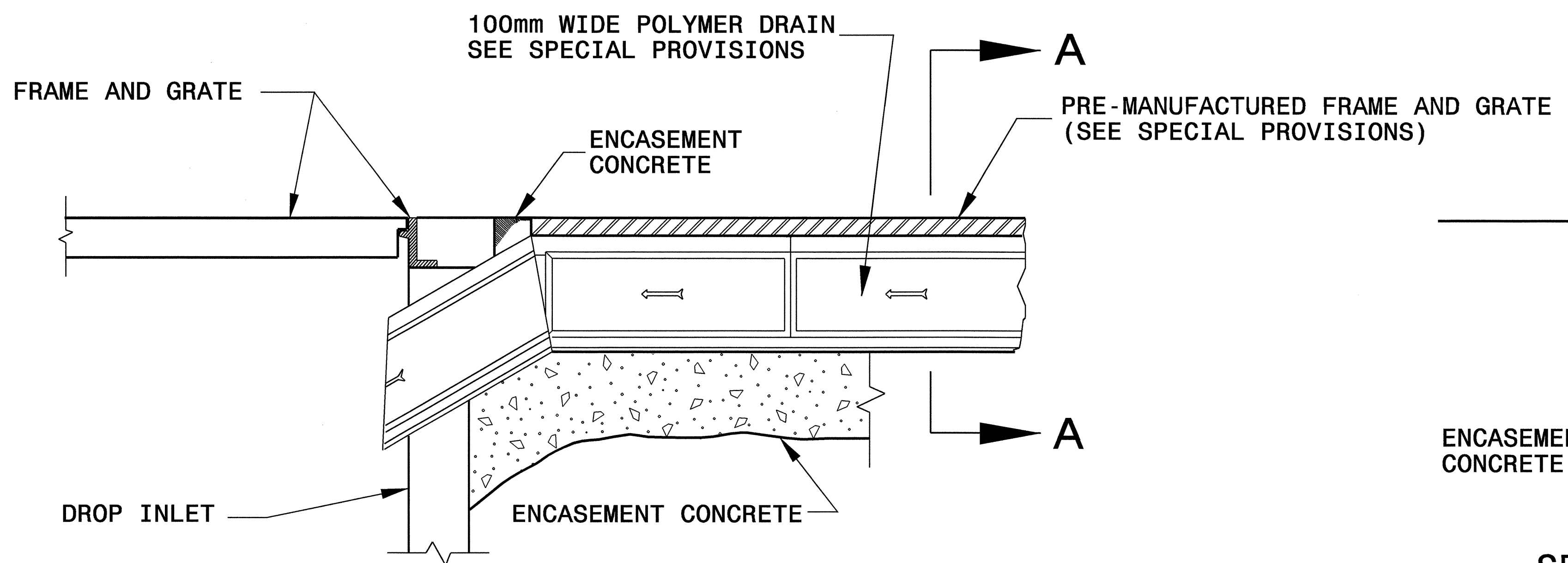


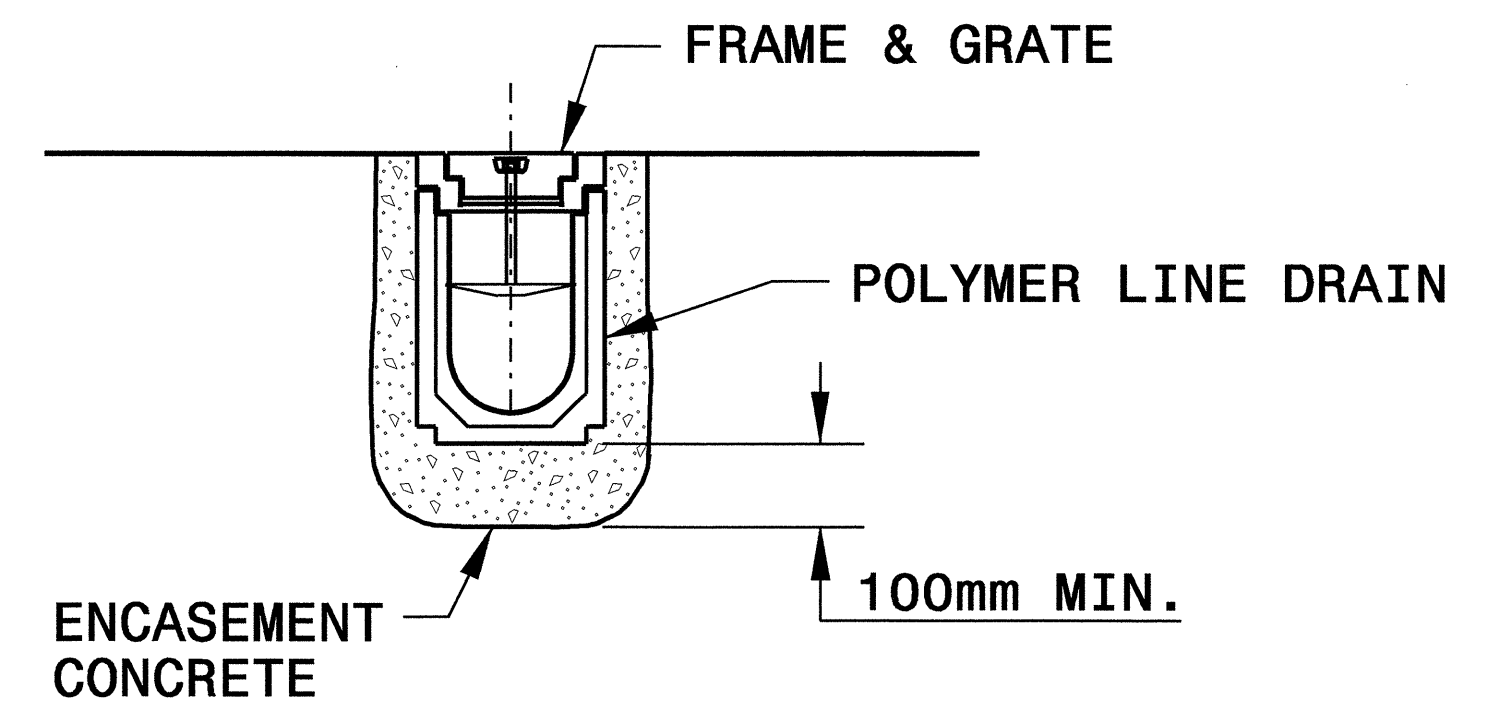
TOP VIEW



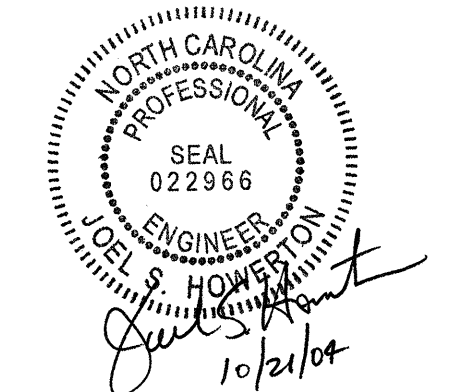
DETAIL OF POLYMER LINE DRAIN AND DROP INLET



STANDARD INSTALLATION DETAIL



SECTION A-A



**DESIGN SERVICES UNIT
STANDARDS AND SPECIAL DESIGN**
Office 919-250-4128 FAX 919-250-4119

DETAIL OF POLYMER LINE DRAIN

ORIGINAL BY: T.Spell DATE: June 4, 1998
 MODIFIED BY: *Joel S. Howerton* DATE: 10/13/04
 CHECKED BY: *Joel S. Howerton* DATE: 10/13/04
 FILE SPEC.: /usr/details/stand/polydrain.dgn