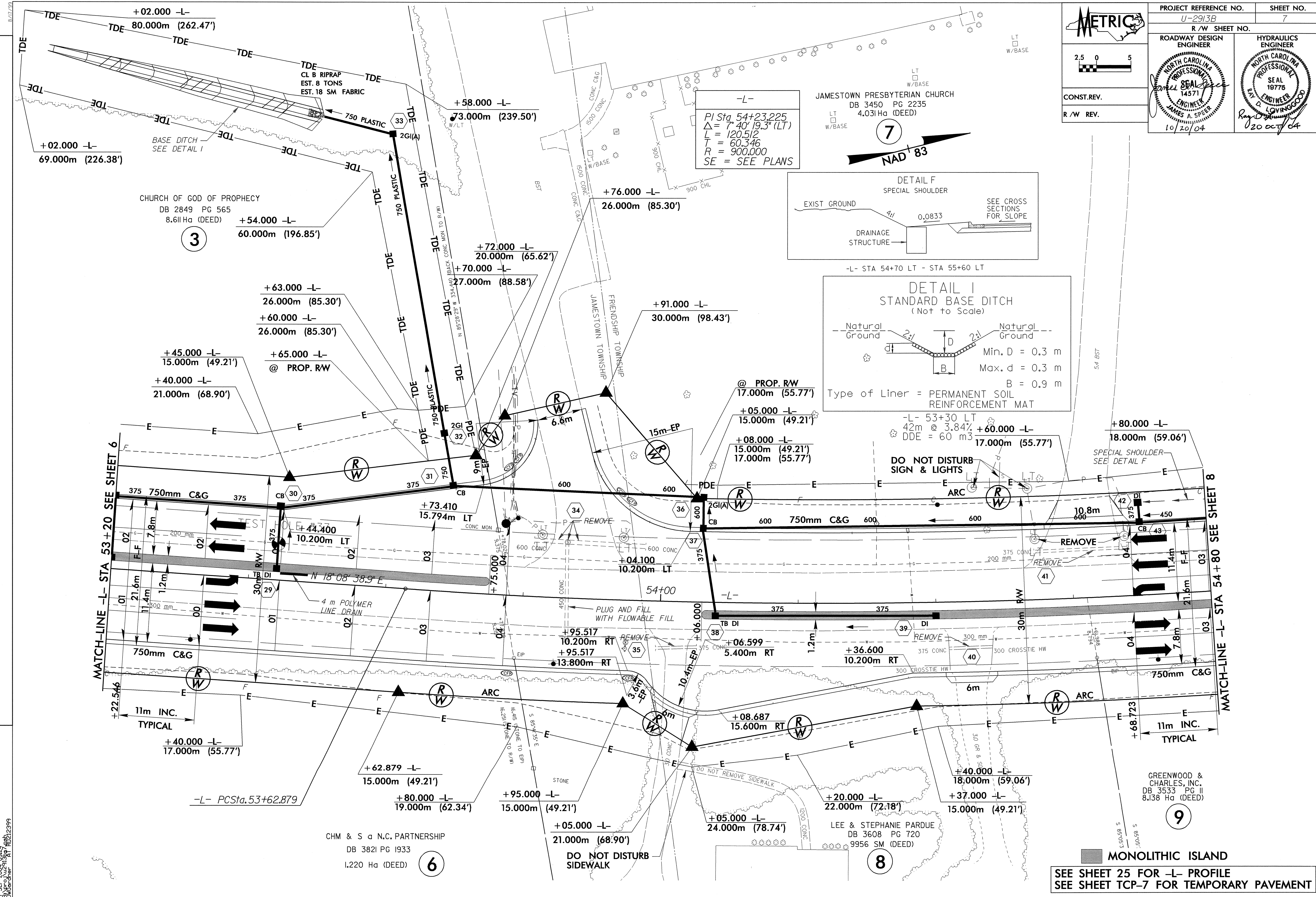
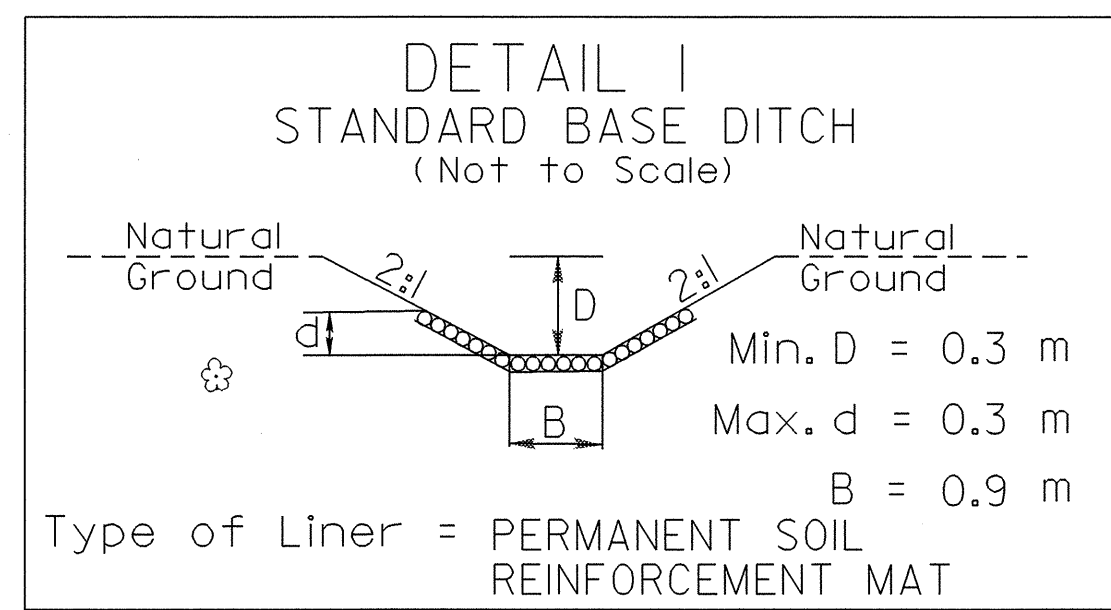
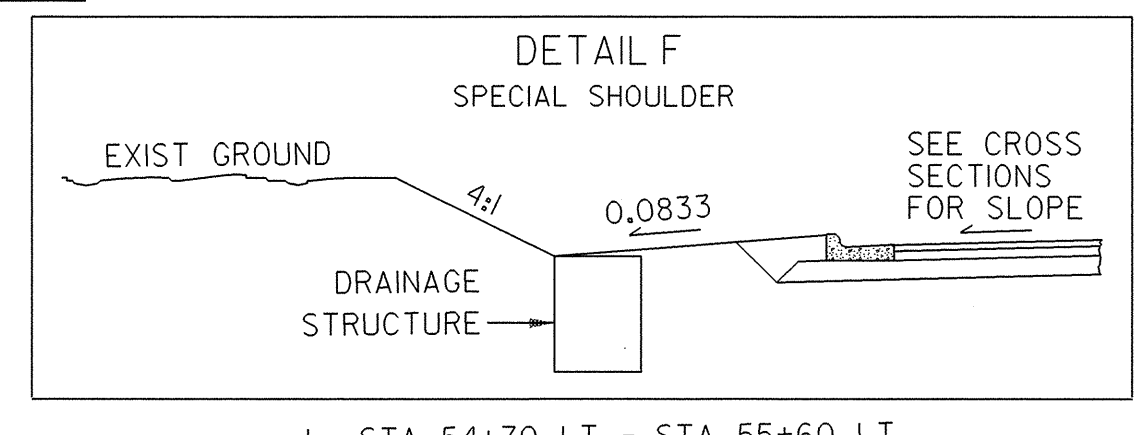
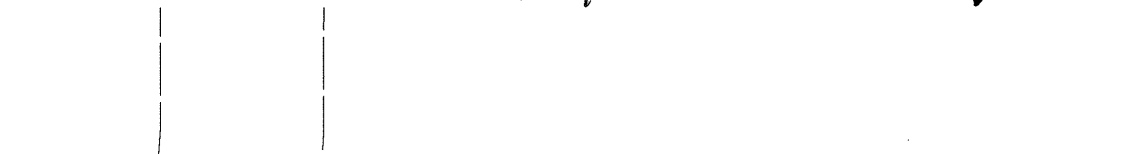


PROJECT REFERENCE NO. U-2913B		SHEET NO. 7	
ROADWAY DESIGN ENGINEER		HYDRAULICS ENGINEER	
CONST. REV.			
R/W REV.			



REVISIONS

MONOLITHIC ISLAND
SEE SHEET 25 FOR -L- PROFILE
SEE SHEET TCP-7 FOR TEMPORARY PAVEMENT