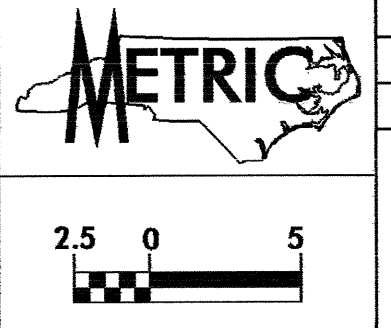
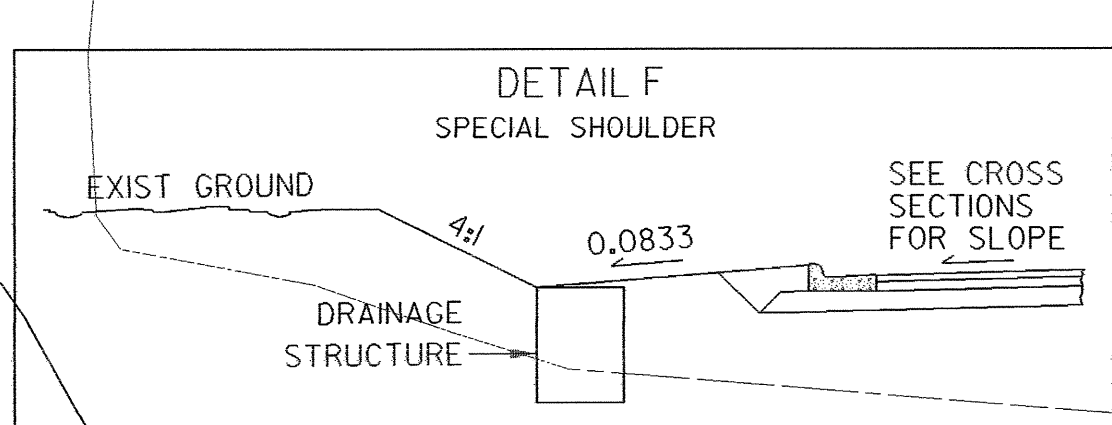


NOTE:  
PLACE TEMPORARY ROCK SEDIMENT DAMS TYPE- B  
AND TEMPORARY ROCK SILT CHECKS TYPE-A AT  
DRAINAGE OUTLETS.

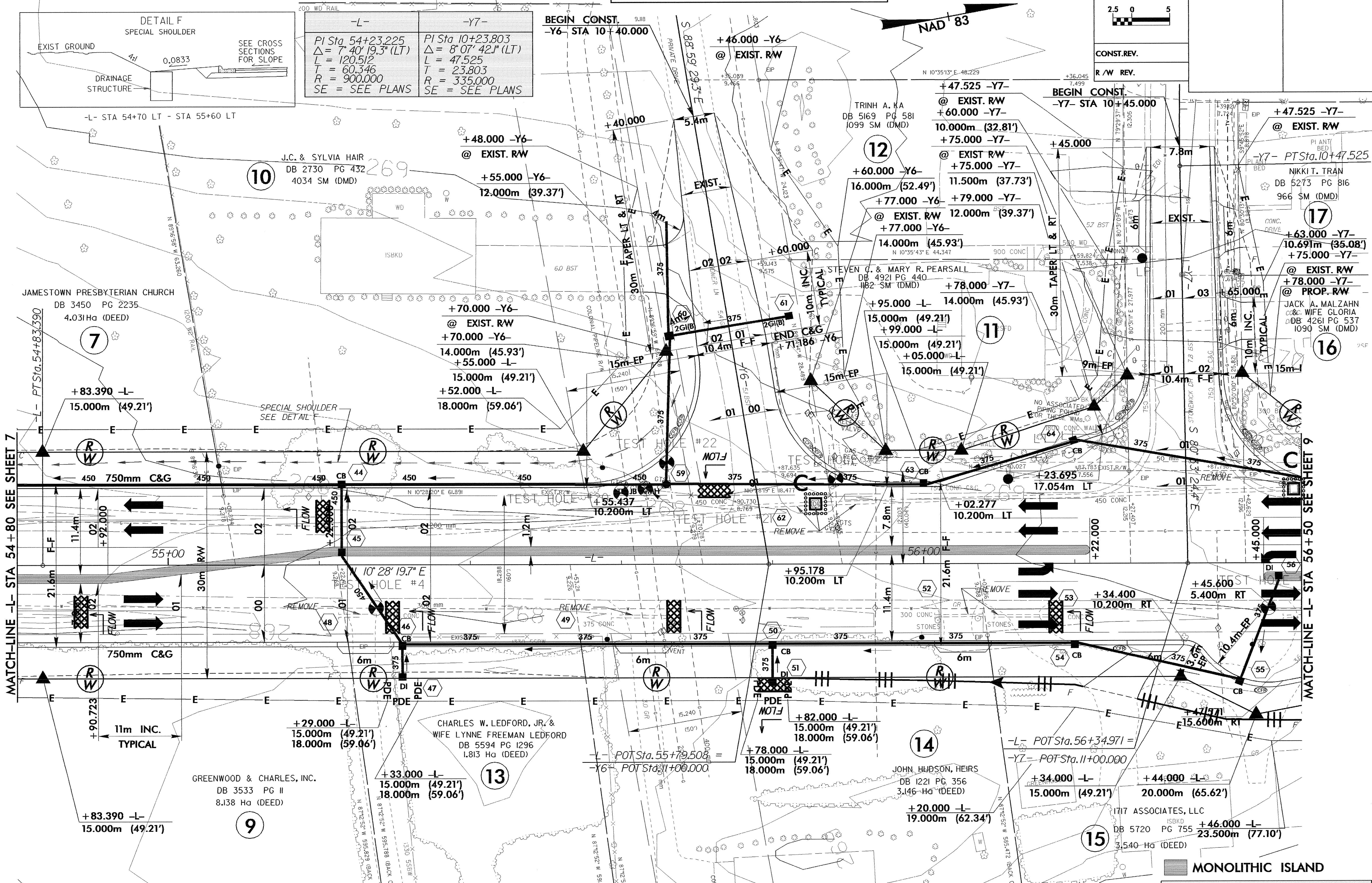
CLEARING AND GRUBBING  
EROSION CONTROL FOR  
CONSTRUCTION SHEET 8



PROJECT REFERENCE NO. U-2913B	SHEET NO. EC-7/CONST.8
R/W SHEET NO.	HYDRAULICS ENGINEER
ROADWAY DESIGN ENGINEER	



-L-	-Y7-
PI Sta 54+23.225	PI Sta 10+23.803
$\Delta = 7' 40'' 19.3'' (LT)$	$\Delta = 8' 07'' 42'' (LT)$
L = 120.512	L = 47.525
T = 60.346	T = 23.803
R = 900.000	R = 335.000
SE = SEE PLANS	SE = SEE PLANS



MATCH-LINE -L- STA 54+80 SEE SHEET 7

MATCH-LINE -L- STA 56+50 SEE SHEET 9

+83.390 -L-  
15.000m (49.21')

GREENWOOD & CHARLES, INC.  
DB 3533 PG II  
8.138 Ha (DEED)

+33.000 -L-  
15.000m (49.21')  
18.000m (59.06')

CHARLES W. LEDFORD, JR. &  
WIFE LYNNE FREEMAN LEDFORD  
DB 5594 PG 1296  
1.813 Ha (DEED)

+78.000 -L-  
15.000m (49.21')  
18.000m (59.06')

JOHN HUDSON, HEIRS  
DB 1221 PG 356  
3.146-Ha (DEED)

+34.000 -L-  
15.000m (49.21')

IT7 ASSOCIATES, LLC  
DB 5720 PG 755  
3.540-Ha (DEED)

MONOLITHIC ISLAND  
SEE SHEET 26 FOR -L- PROFILE  
SEE SHEET 32 FOR -Y6- PROFILE  
SEE SHEET 33 FOR -Y7- PROFILE