

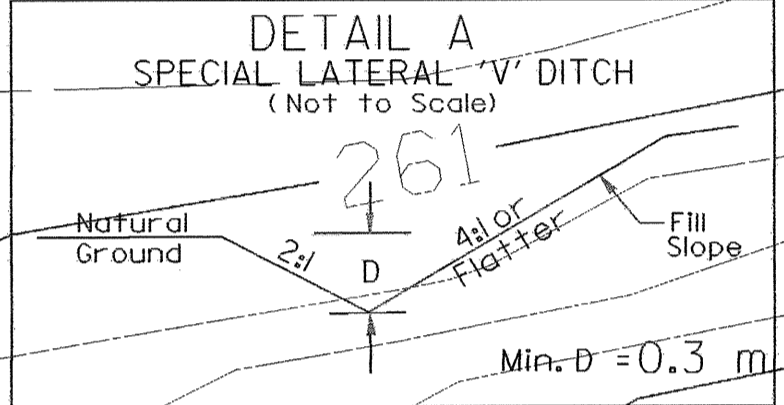
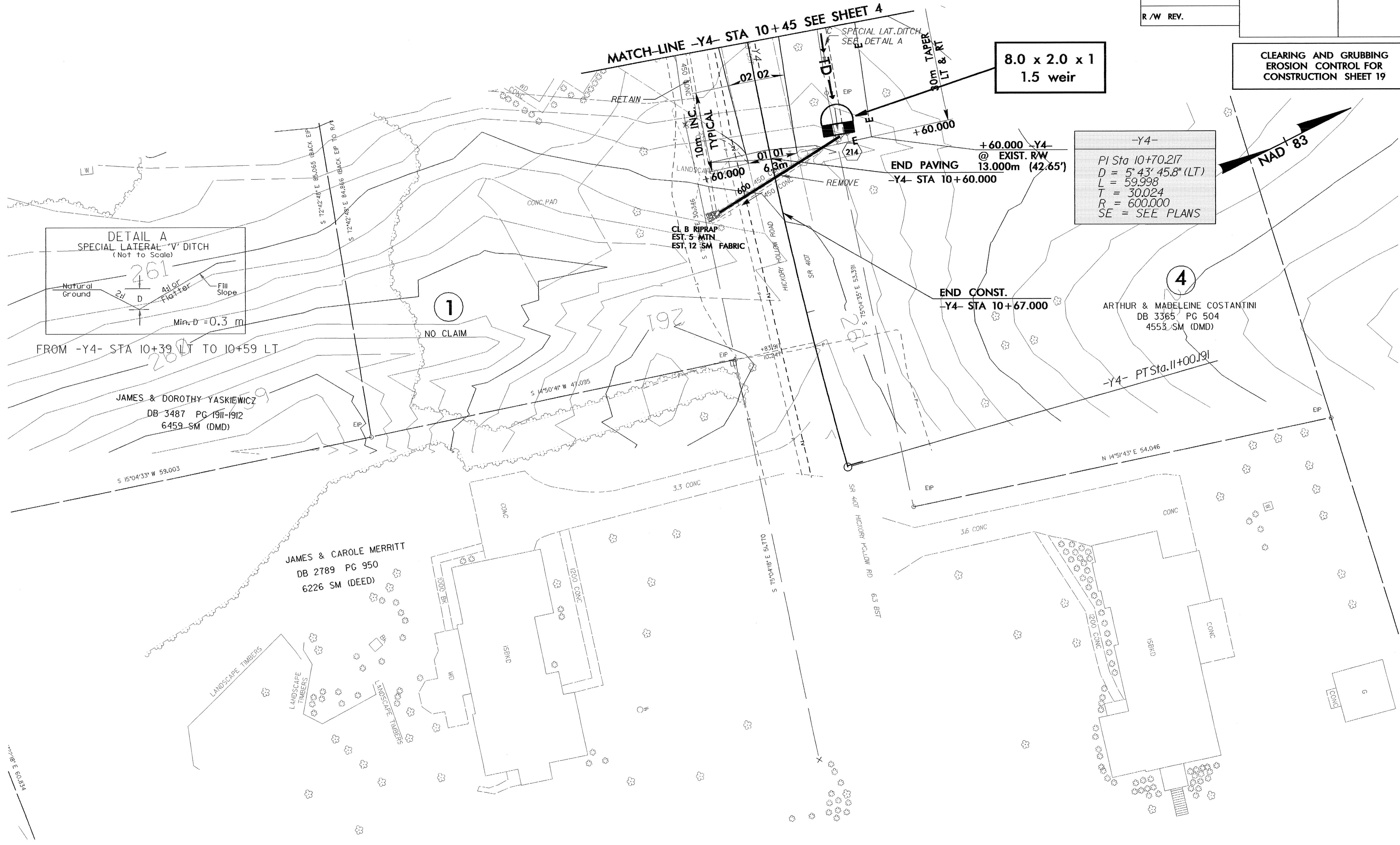
METRIC

CONST. REV.
R/W REV.

PROJECT REFERENCE NO. U-2913B	SHEET NO. EC-18/CONST.19
R/W SHEET NO.	
ROADWAY DESIGN ENGINEER	HYDRAULICS ENGINEER

NOTE:
PLACE TEMPORARY ROCK SEDIMENT DAMS TYPE-B AND TEMPORARY ROCK SILT CHECKS TYPE-A AT DRAINAGE OUTLETS.

CLEARING AND GRUBBING EROSION CONTROL FOR CONSTRUCTION SHEET 19



**8.0 x 2.0 x 1
1.5 weir**

-Y4-
PI Sta 10+70.217
D = 5° 43' 45.8" (LT)
L = 59.998
T = 30.024
R = 600.000
SE = SEE PLANS



4
ARTHUR & MABELEINE COSTANTINI
DB 3365 PG 504
4553 SM (DMD)

SEE SHEET 31 FOR -Y4- PROFILE