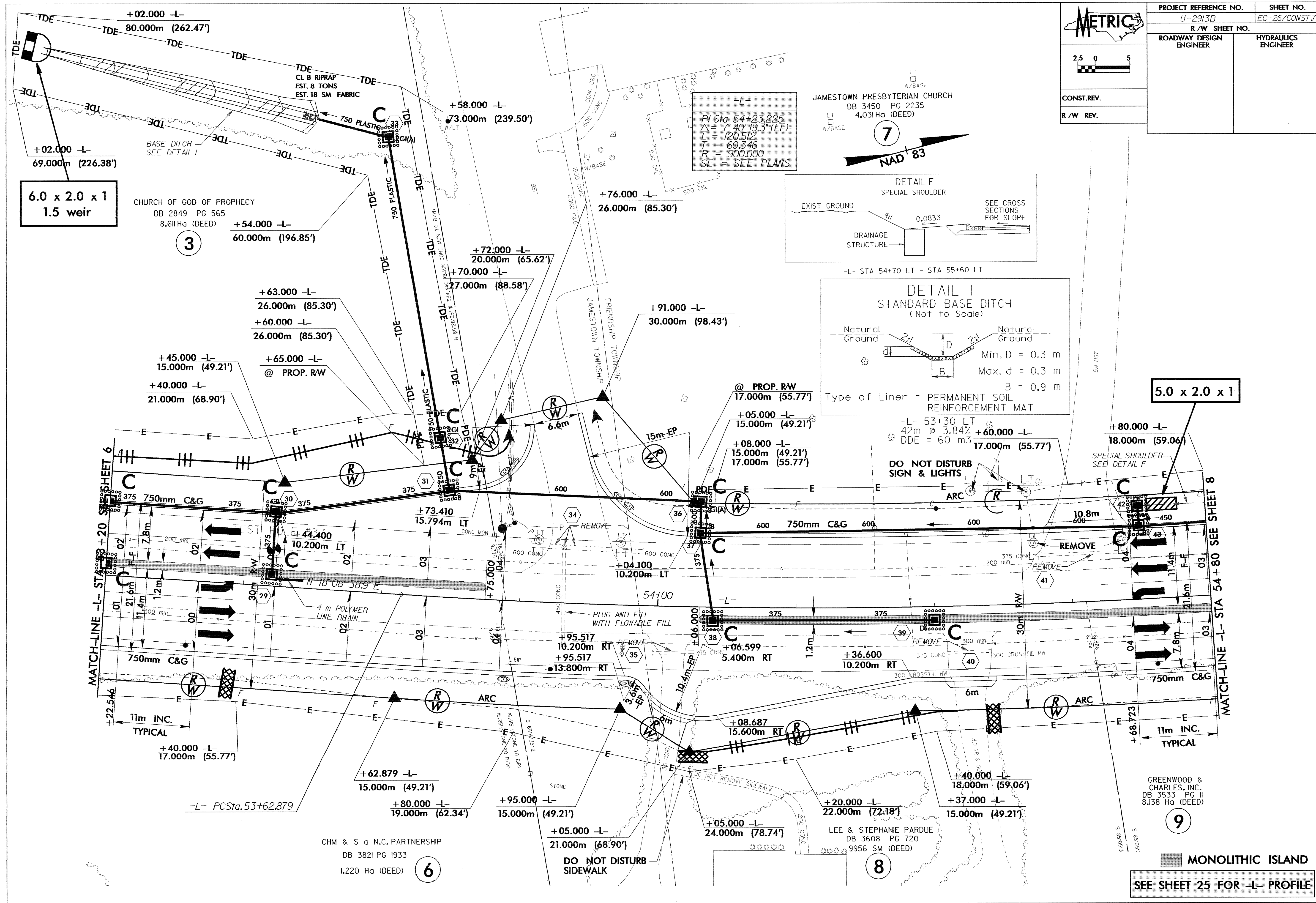
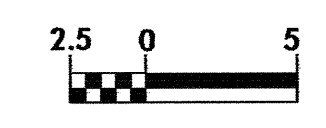
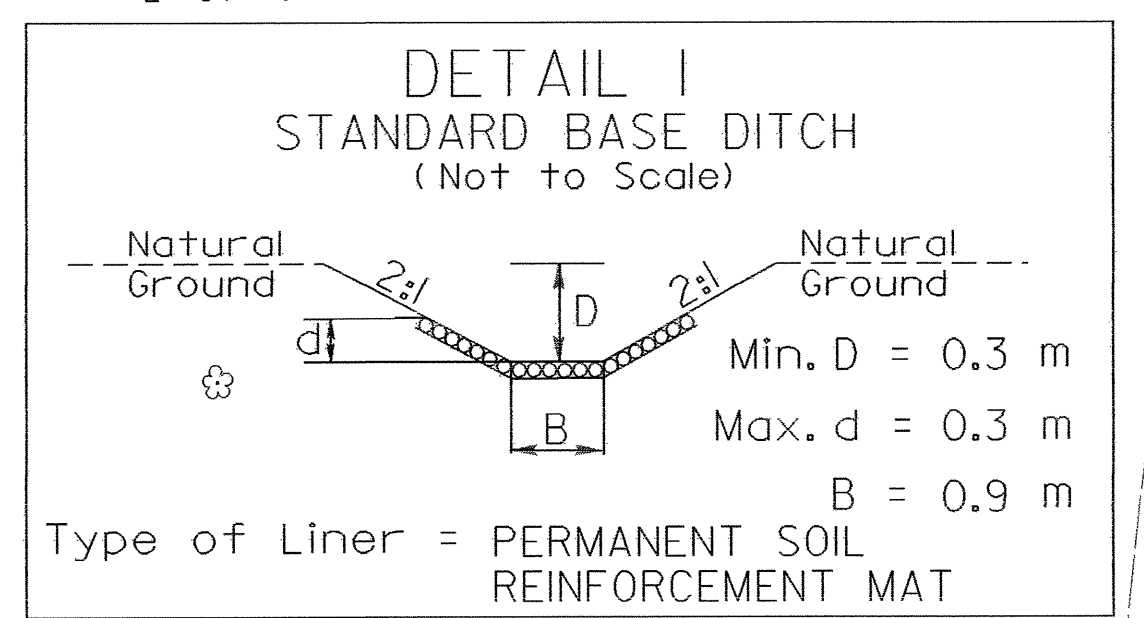
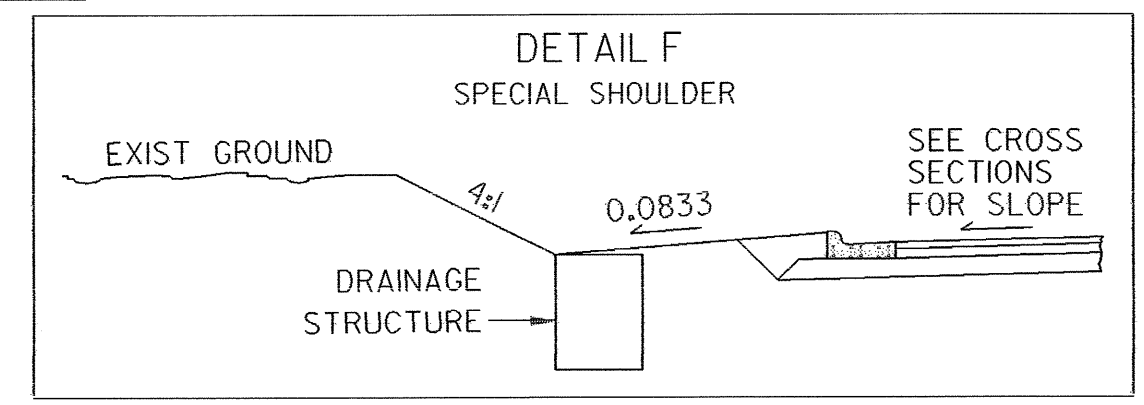
	PROJECT REFERENCE NO.	SHEET NO.
	U-2913B	EC-26/CONST.7
ROADWAY DESIGN ENGINEER		HYDRAULICS ENGINEER
CONST. REV.		
R/W REV.		



**6.0 x 2.0 x 1
1.5 weir**

3



5.0 x 2.0 x 1

9

CHM & S a N.C. PARTNERSHIP
DB 3821 PG 1933
1.220 Ha (DEED)

6

LEE & STEPHANIE PARDUE
DB 3608 PG 720
9956 SM (DEED)

8

GREENWOOD & CHARLES, INC.
DB 3533 PG II
8,138 Ha (DEED)

MONOLITHIC ISLAND
SEE SHEET 25 FOR -L- PROFILE

-L-
PI Sta 54+23.225
 $\Delta = 7^{\circ} 40' 19.3''$ (LT)
L = 120.512
T = 60.346
R = 900.000
SE = SEE PLANS



MATCH-LINE -L- STA 53+20 SEE SHEET 6

MATCH-LINE -L- STA 54+80 SEE SHEET 8

**DO NOT DISTURB
SIDEWALK**

**DO NOT DISTURB
SIGN & LIGHTS**