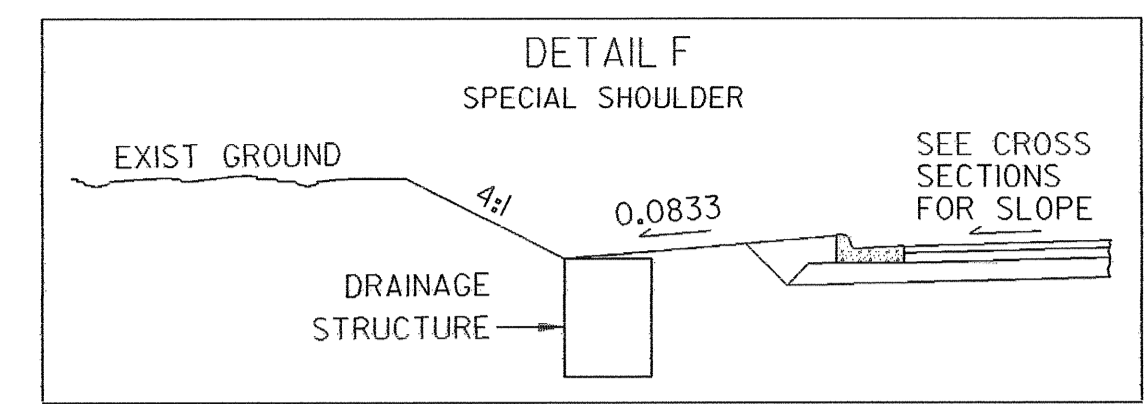
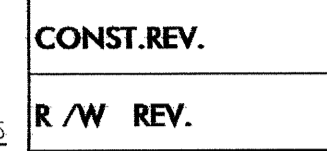
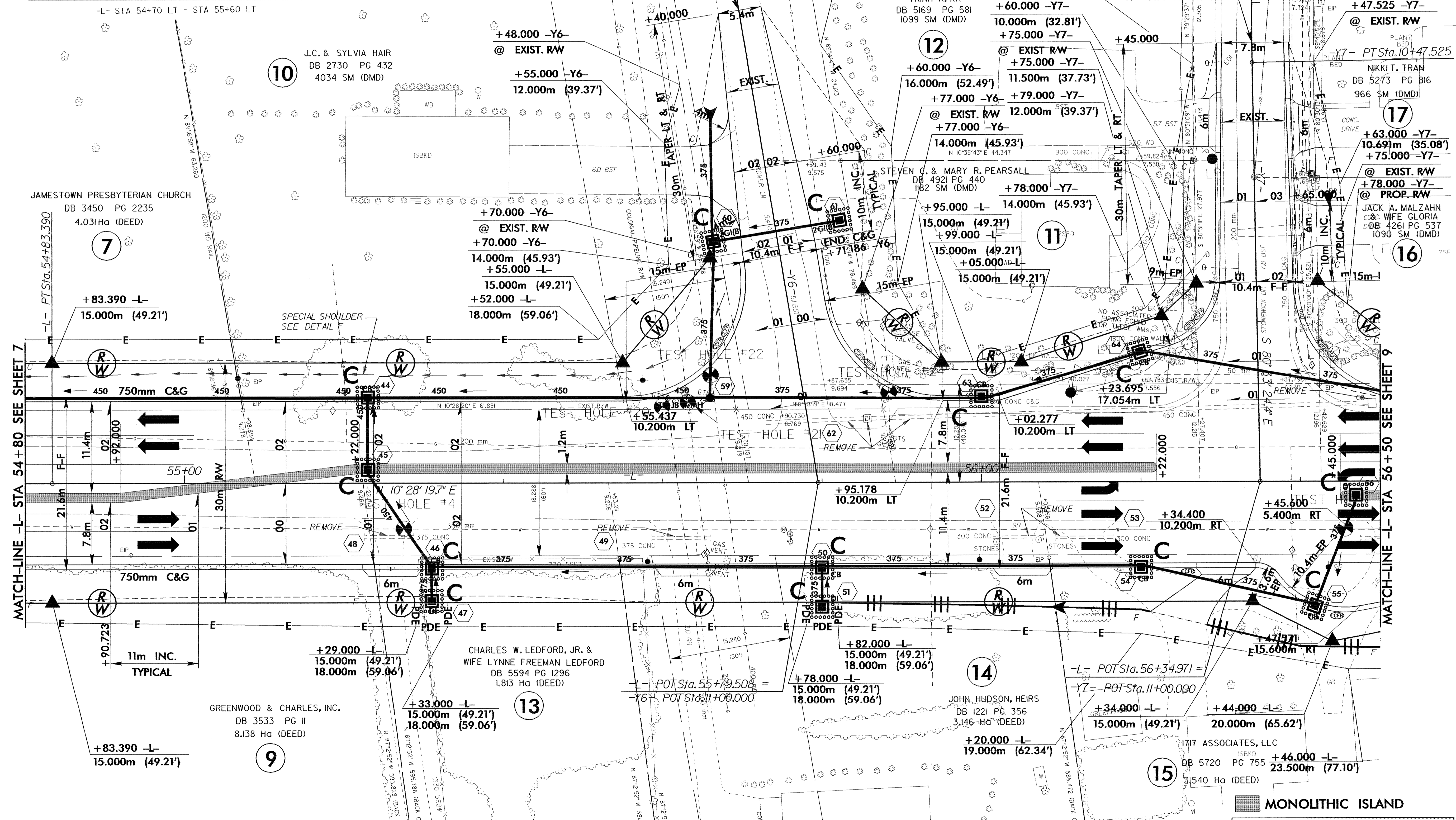


PROJECT REFERENCE NO. U-2913B	SHEET NO. EC-27/CONST.8
R/W SHEET NO.	
ROADWAY DESIGN ENGINEER	HYDRAULICS ENGINEER



-L-	-Y7-
PI Sta 54+23.225	PI Sta 10+23.803
$\Delta = 7^{\circ} 40' 19.3''$ (LT)	$\Delta = 8^{\circ} 07' 42.1''$ (LT)
L = 120.512	L = 47.525
T = 60.346	T = 23.803
R = 900.000	R = 335.000
SE = SEE PLANS	SE = SEE PLANS



MATCH-LINE -L- STA 54+80 SEE SHEET 7

MATCH-LINE -L- STA 56+50 SEE SHEET 9

SEE SHEET 26 FOR -L- PROFILE
SEE SHEET 32 FOR -Y6- PROFILE
SEE SHEET 33 FOR -Y7- PROFILE