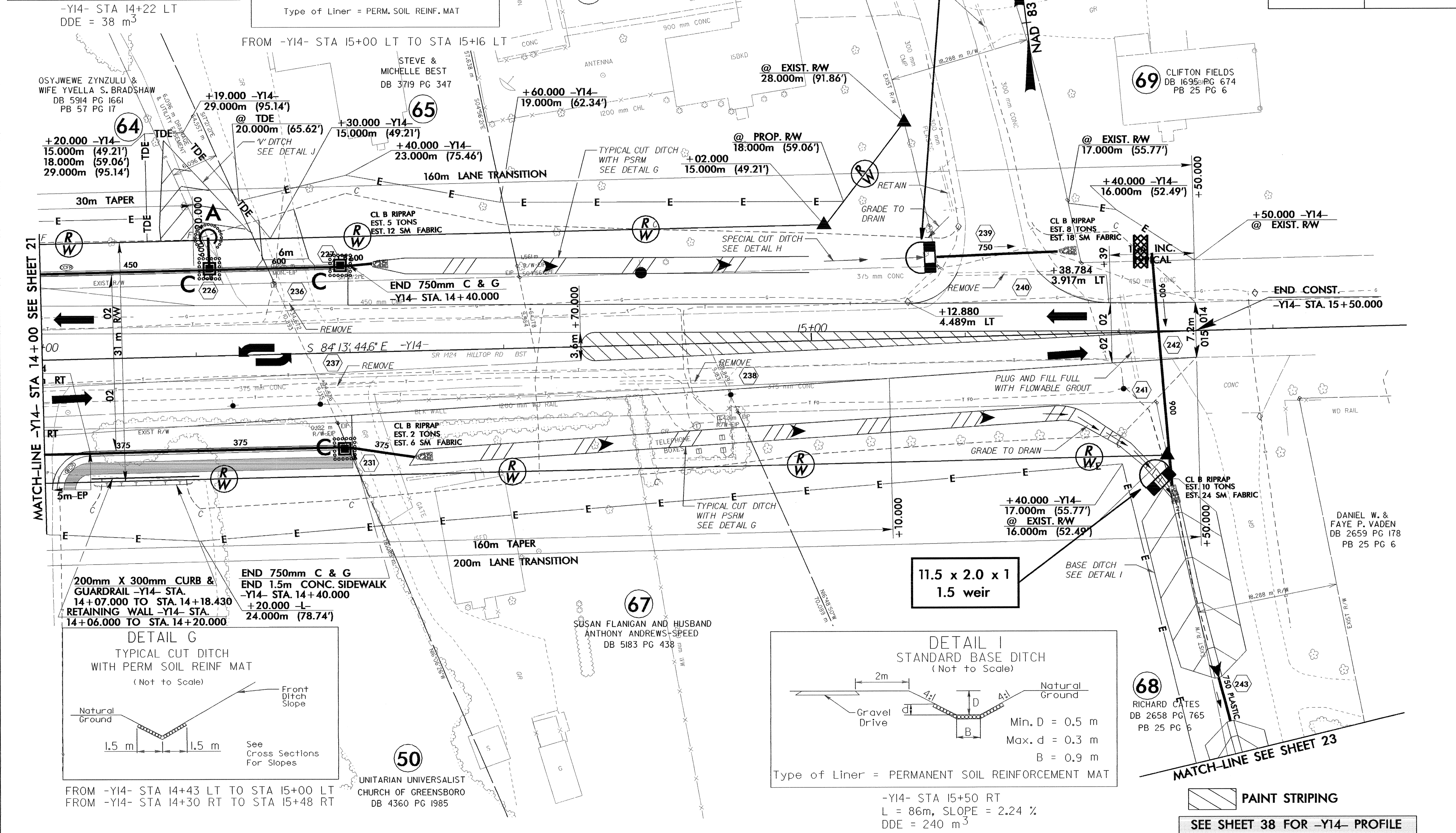
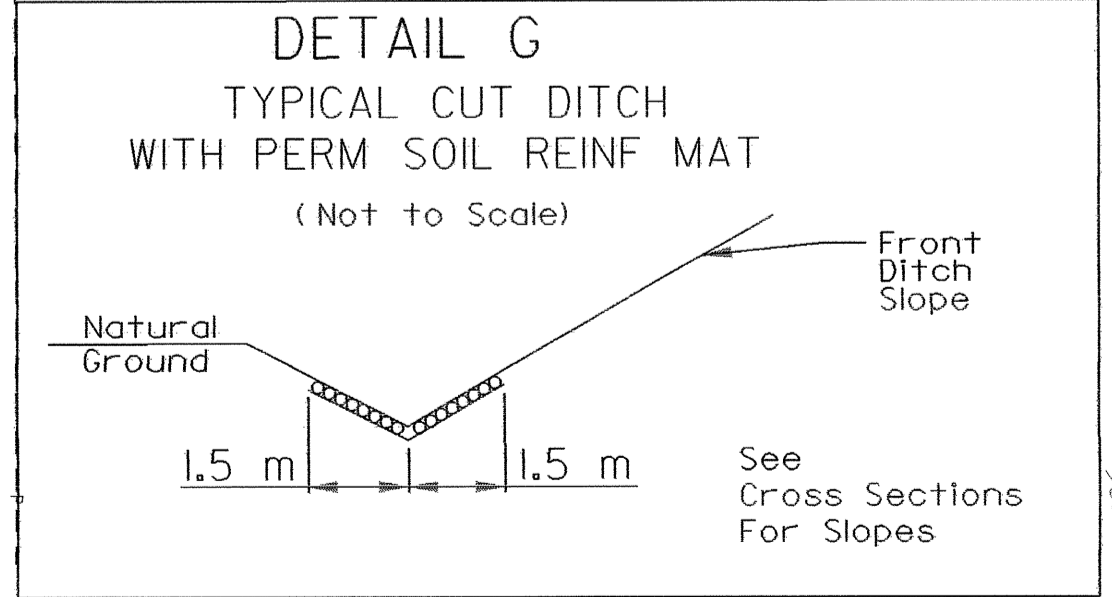
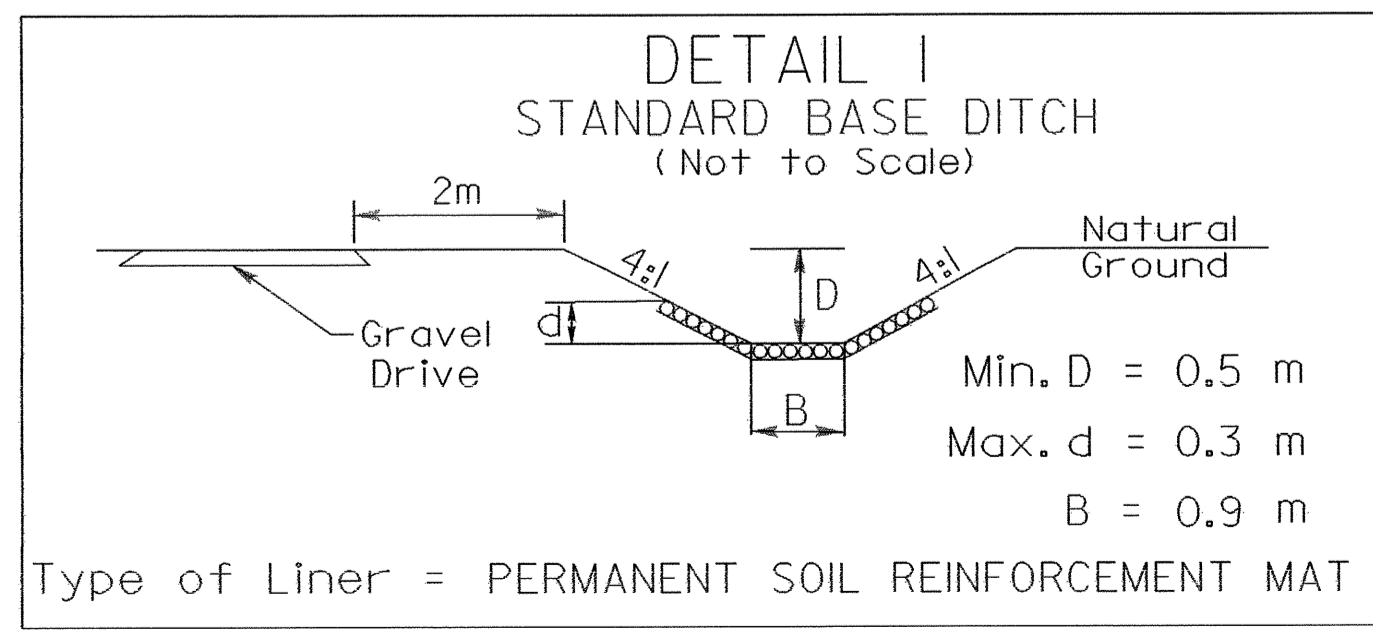
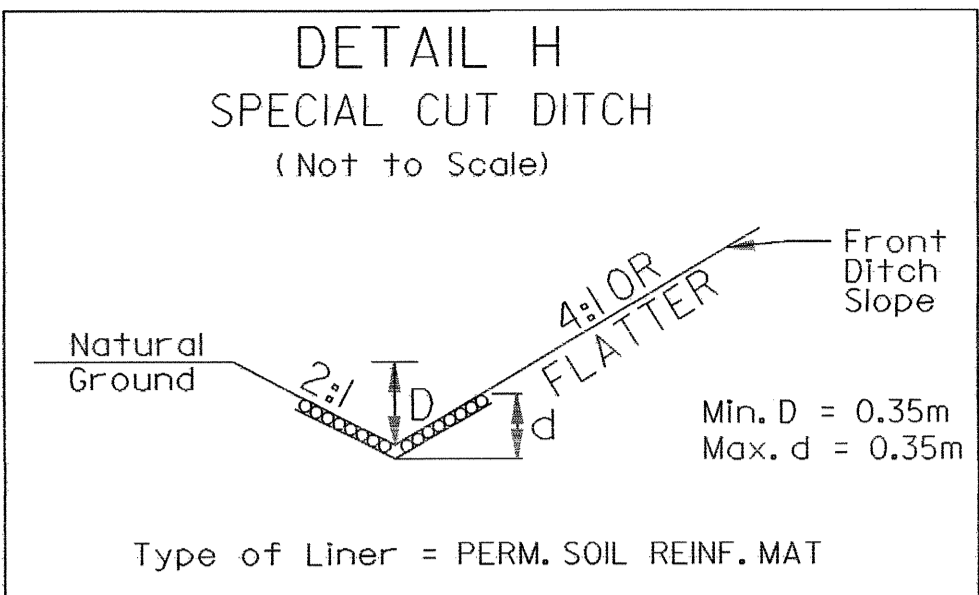
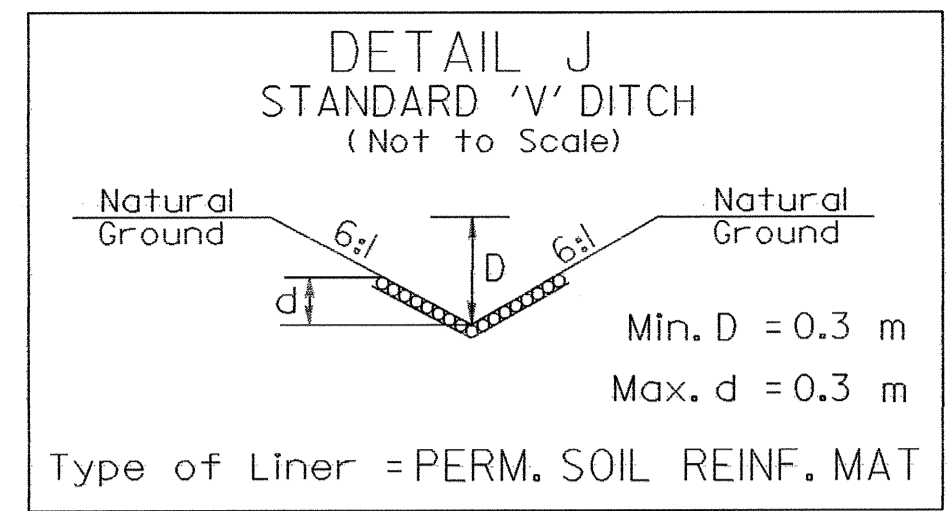


PROJECT REFERENCE NO. U-2913B	SHEET NO. EC-41/CONST.22
R/W SHEET NO.	
ROADWAY DESIGN ENGINEER	HYDRAULICS ENGINEER
CONST. REV.	
R/W REV.	



NOTE: FINAL LIFT OF 35mm S9.5C FROM -Y14- STA. 14+20 TO STA. 15+50 WILL BE PLACED UNDER THE U-3612 PROJECT.

PAINT STRIPING  
SEE SHEET 38 FOR -Y14- PROFILE