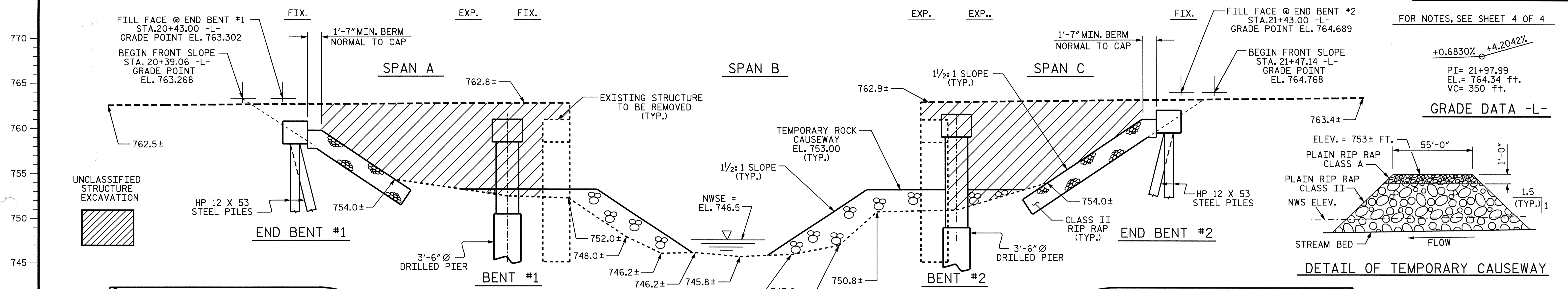
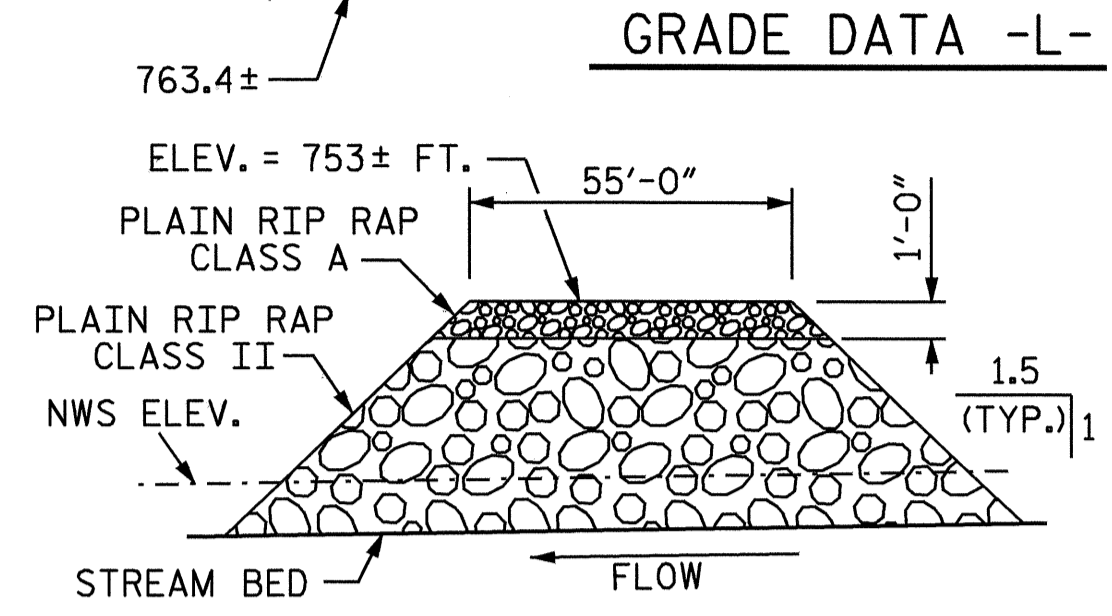


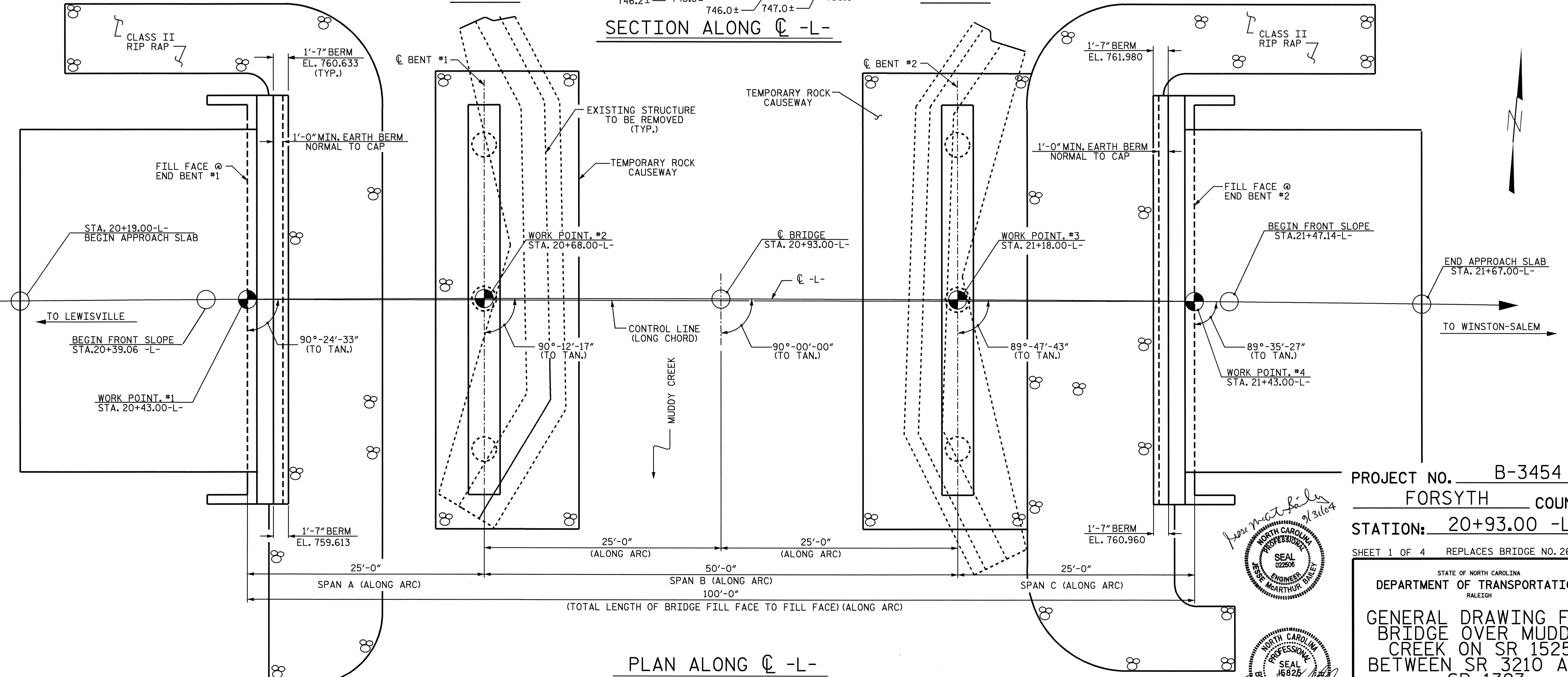
FOR NOTES, SEE SHEET 4 OF 4



GRADE DATA -L-  
 +0.6830% +4.2042%  
 PI= 21+97.99  
 EL.= 764.34 ft.  
 VC= 350 ft.



SECTION ALONG C-L-



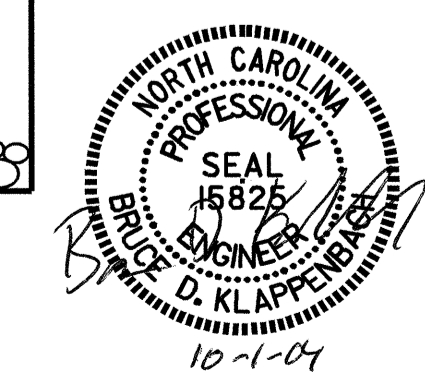
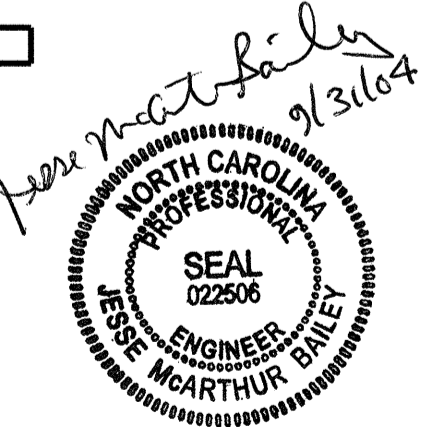
PLAN ALONG C-L-

PILES NOT SHOWN FOR CLARITY

PROJECT NO. B-3454  
 FORSYTH COUNTY  
 STATION: 20+93.00 -L-

SHEET 1 OF 4 REPLACES BRIDGE NO. 260

STATE OF NORTH CAROLINA  
 DEPARTMENT OF TRANSPORTATION  
 RALEIGH  
 GENERAL DRAWING FOR  
 BRIDGE OVER MUDDY  
 CREEK ON SR 1525  
 BETWEEN SR 3210 AND  
 SR 1393



REVISIONS				SHEET NO.	
NO.	BY:	DATE:	NO.	BY:	DATE:
1			3		
2			4		
					TOTAL SHEETS
					27

DRAWN BY: M. G. SHAIKH DATE: 05-01-02  
 CHECKED BY: D. A. GLADDEN DATE: 07-01-02