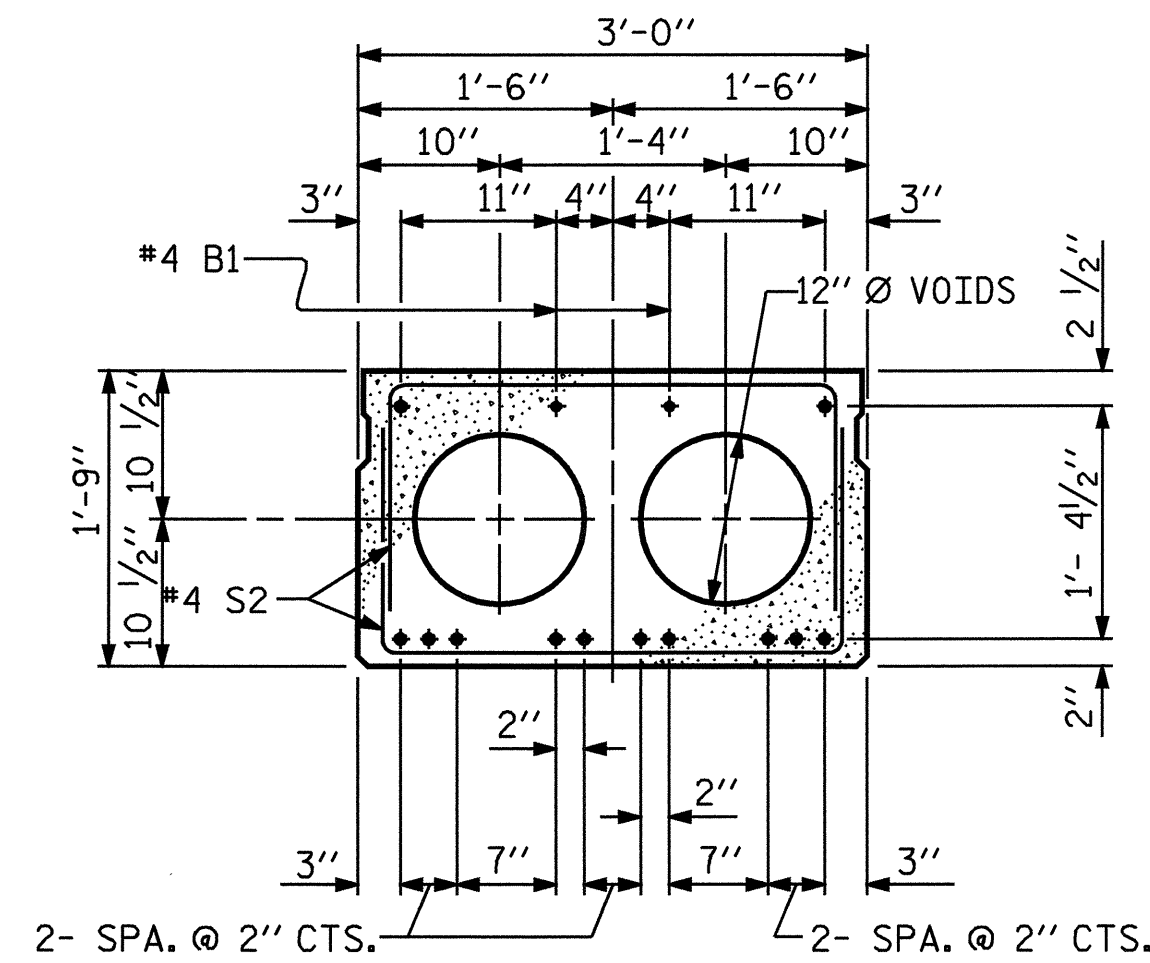
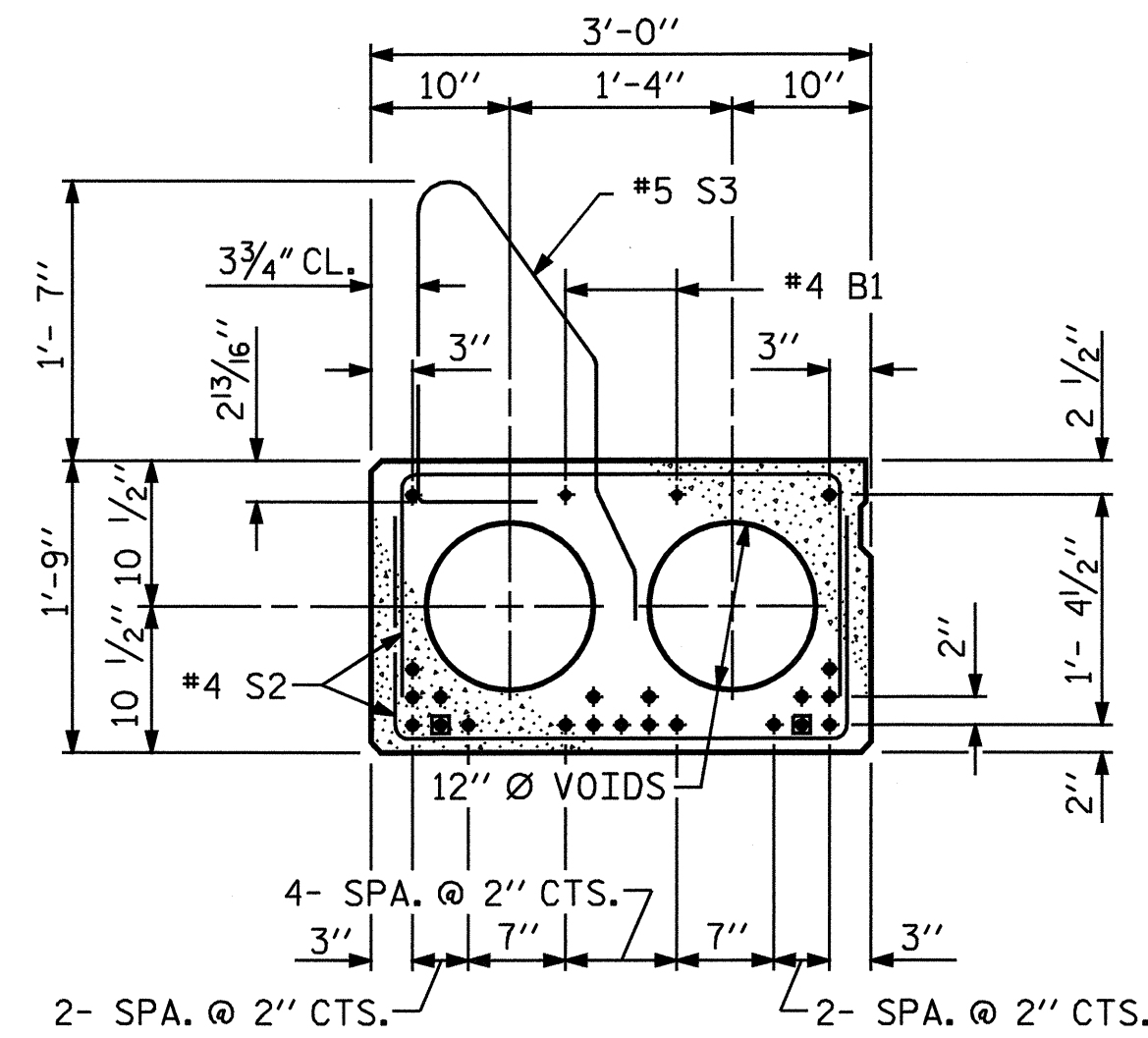


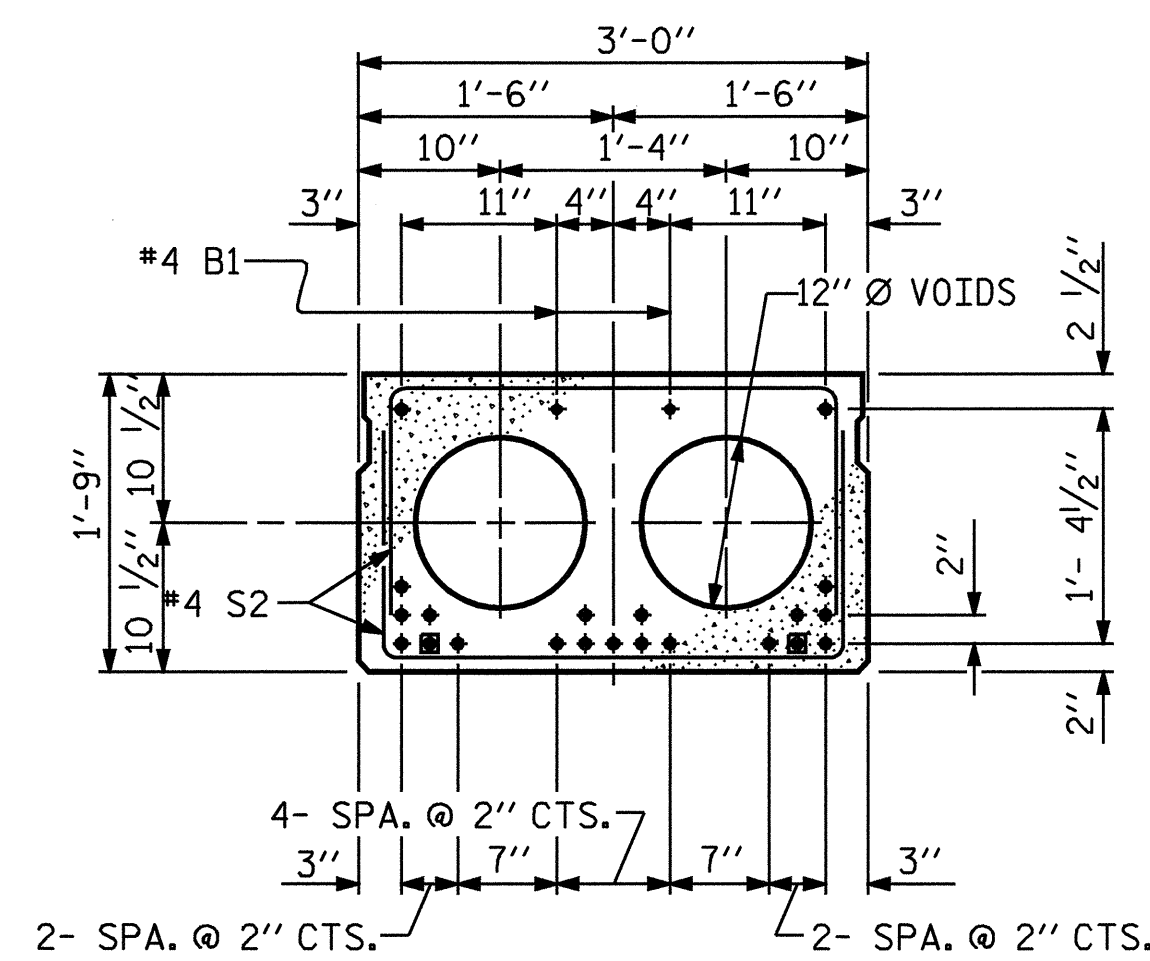
SPANS "A" & "C" EXTERIOR SLAB SECTION



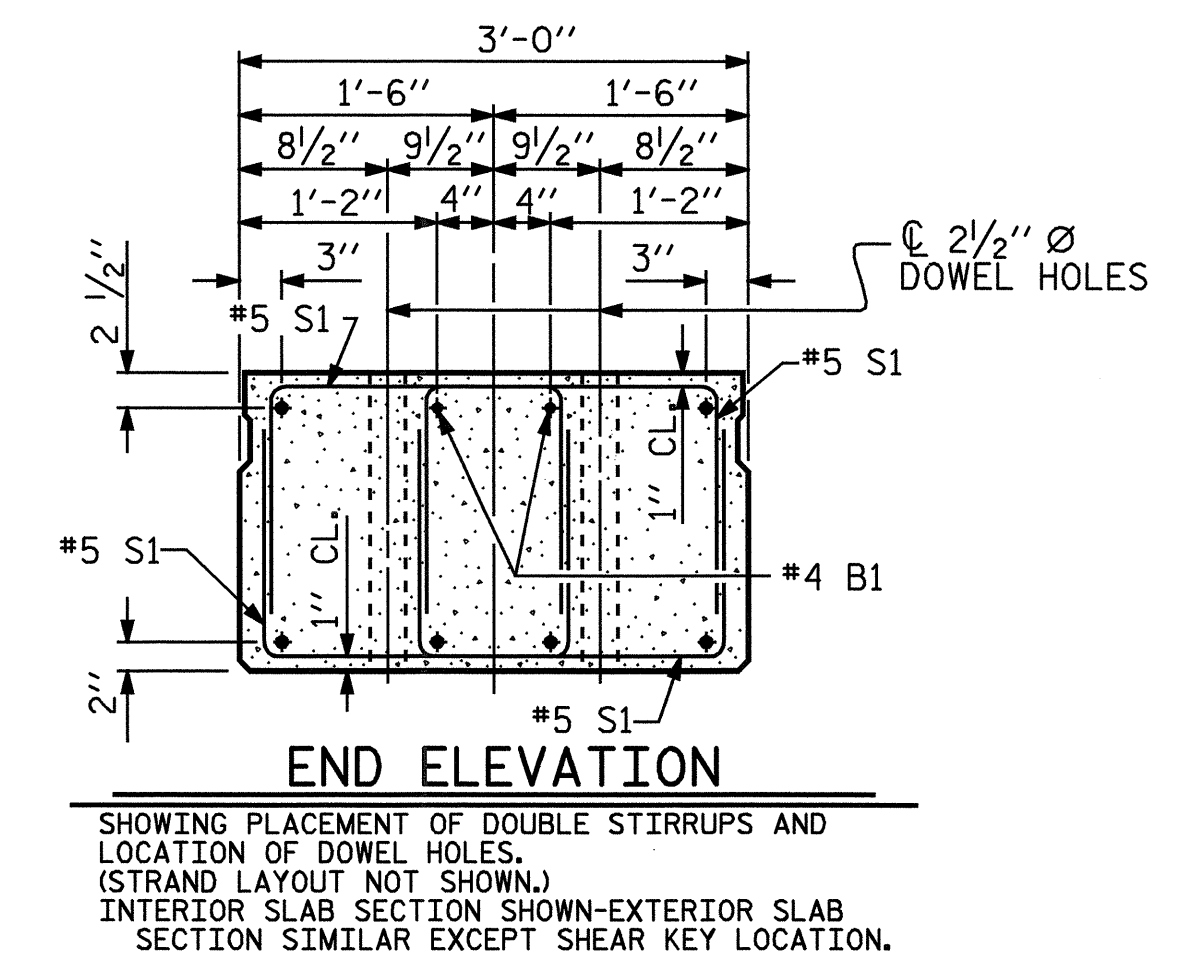
SPANS "A" & "C" INTERIOR SLAB SECTION
1/2" Ø LOW RELAXATION STRAND LAYOUT



SPAN "B" EXTERIOR SLAB SECTION



SPAN "B" INTERIOR SLAB SECTION
1/2" Ø LOW RELAXATION STRAND LAYOUT

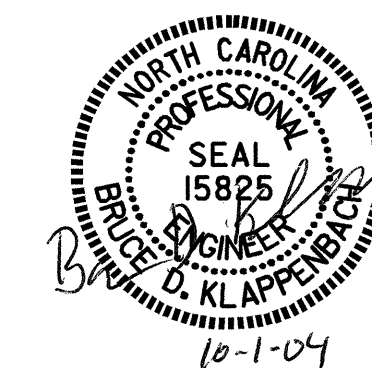


END ELEVATION
SHOWING PLACEMENT OF DOUBLE STIRRUPS AND LOCATION OF DOWEL HOLES.
(STRAND LAYOUT NOT SHOWN.)
INTERIOR SLAB SECTION SHOWN-EXTERIOR SLAB SECTION SIMILAR EXCEPT SHEAR KEY LOCATION.

■ BOND SHALL BE BROKEN ON THESE STRANDS FOR A DISTANCE OF 4'-0" FROM END OF CORED SLAB UNIT, SEE STANDARD SPECIFICATIONS ARTICLE 1078-7.

PROJECT NO. B-3454
FORSYTH COUNTY
STATION: 20+93.00 -L-

ASSEMBLED BY :	D. A. GLADDEN	DATE :	2-24-03
CHECKED BY :	M. G. SHAIKH	DATE :	9-21-04
DRAWN BY :	WJH	4/89	REV. 8/16/99 RWW/LES
CHECKED BY :	FCJ	5/89	REV. 10/17/00 RWW/LES
			REV. 7/10/01 RWW/LES



STATE OF NORTH CAROLINA DEPARTMENT OF TRANSPORTATION RALEIGH					
STANDARD 3'-0" X 1'-9" PRESTRESSED CONCRETE CORED SLAB UNIT					
OCTOBER 1981					
REVISIONS					SHEET NO.
NO.	BY:	DATE:	NO.	BY:	DATE:
1			3		
2			4		
					5-6 TOTAL SHEETS 27