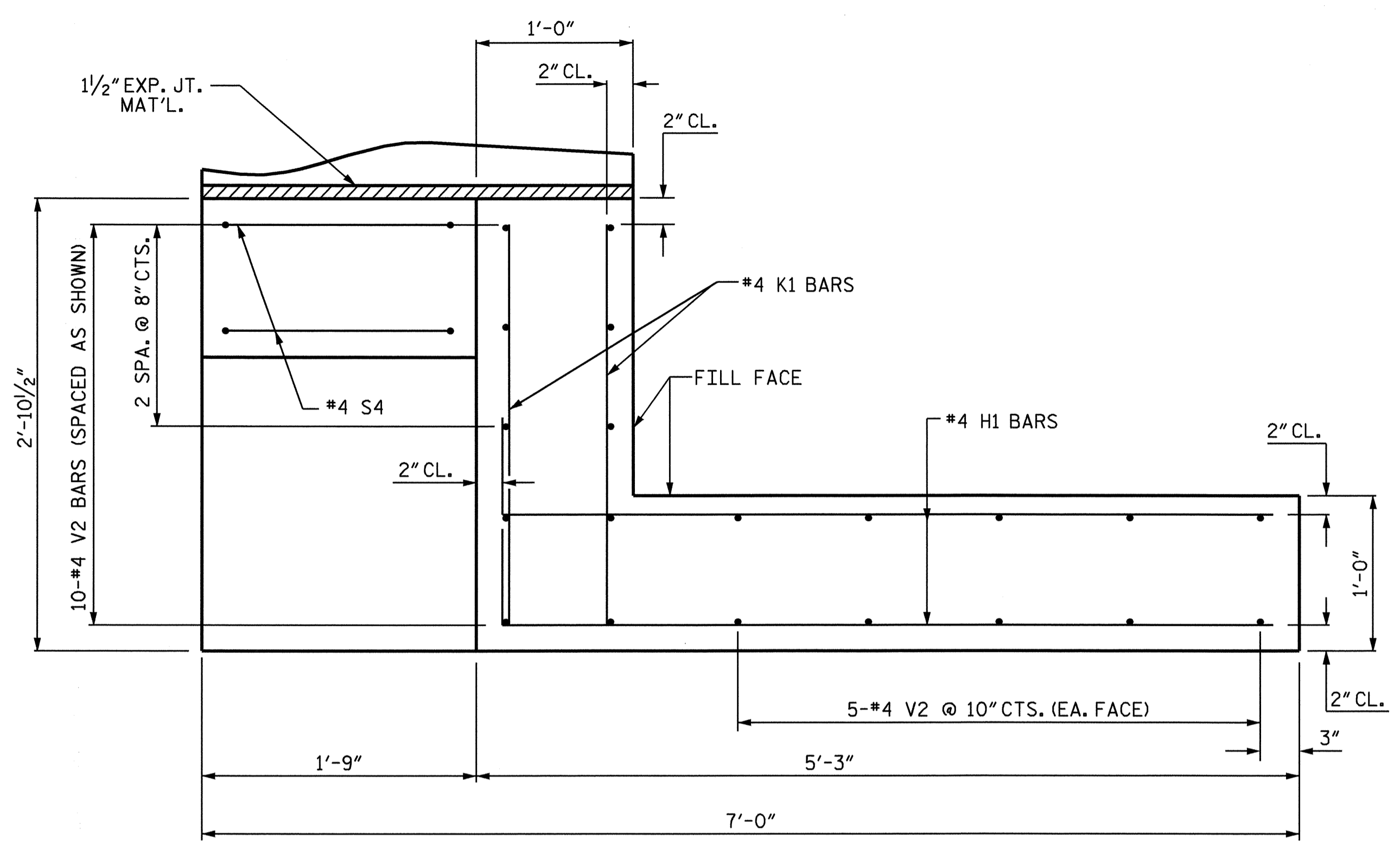
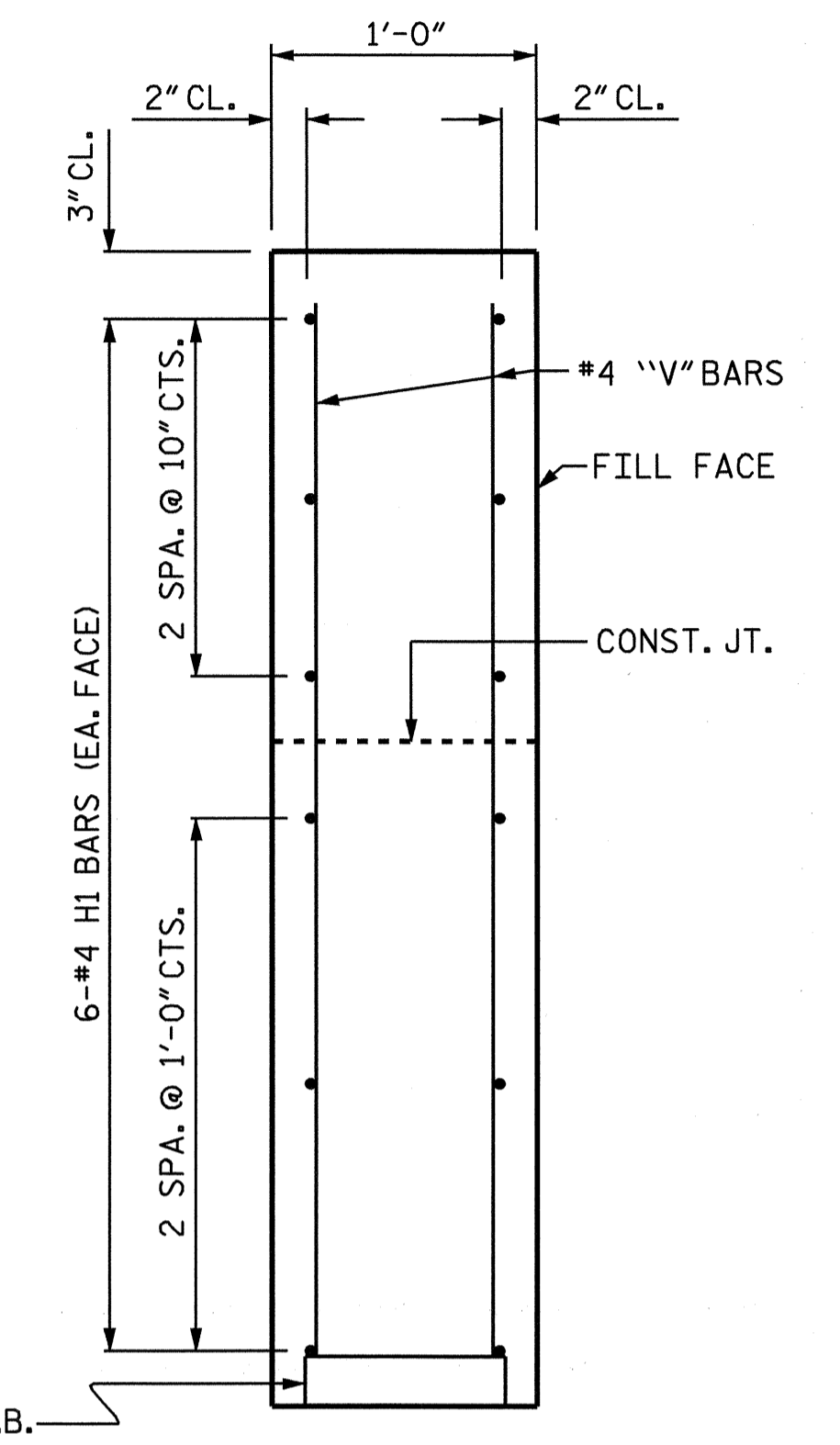


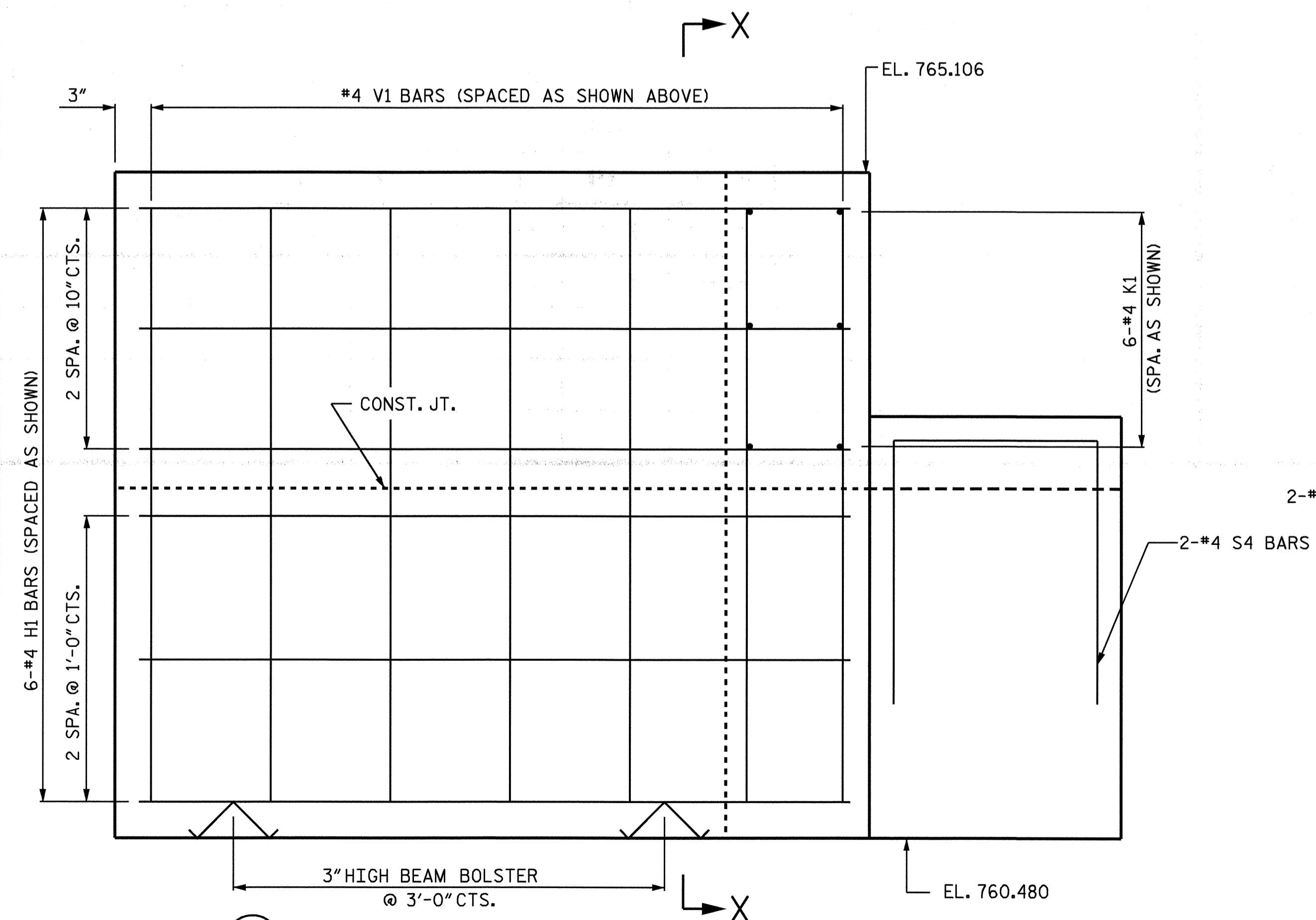
W1 PLAN OF LEFT WING



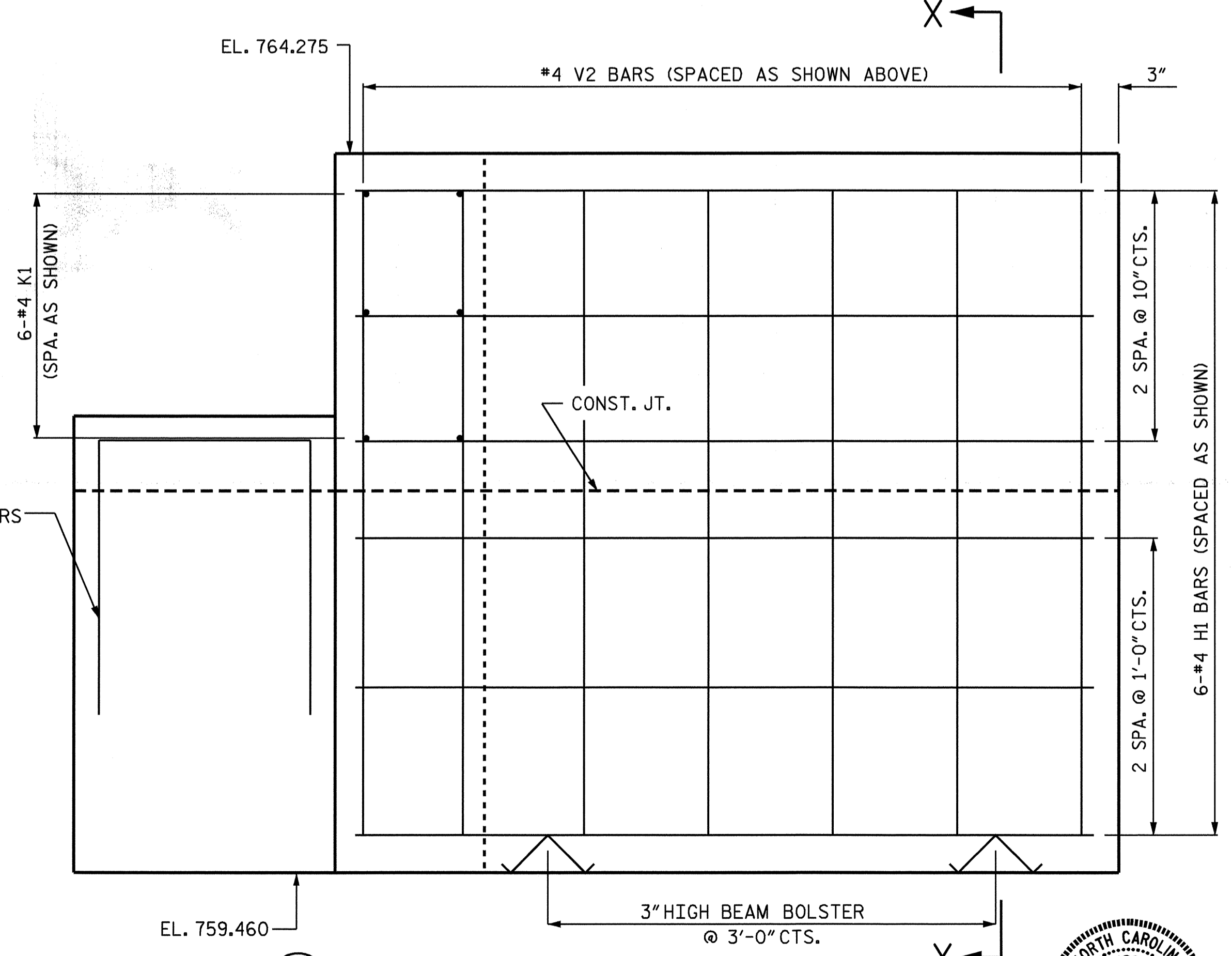
W2 PLAN OF RIGHT WING



SECTION X-X



W1 ELEVATION OF LEFT WING



W2 ELEVATION OF RIGHT WING

PROJECT NO. B-3454  
FORSYTH COUNTY  
 STATION: 20+93.00 -L-  
 SHEET 2 OF 3

STATE OF NORTH CAROLINA  
 DEPARTMENT OF TRANSPORTATION  
 RALEIGH

**SUBSTRUCTURE  
 END BENT #2**



DRAWN BY: J.B. WILSON DATE: 8/04  
 CHECKED BY: D.A. GLADDEN DATE: 9/04

| REVISIONS |     |       |     |       | SHEET NO.    |
|-----------|-----|-------|-----|-------|--------------|
| NO.       | BY: | DATE: | NO. | DATE: | TOTAL SHEETS |
| 1         |     |       | 3   |       | 27           |
| 2         |     |       | 4   |       |              |