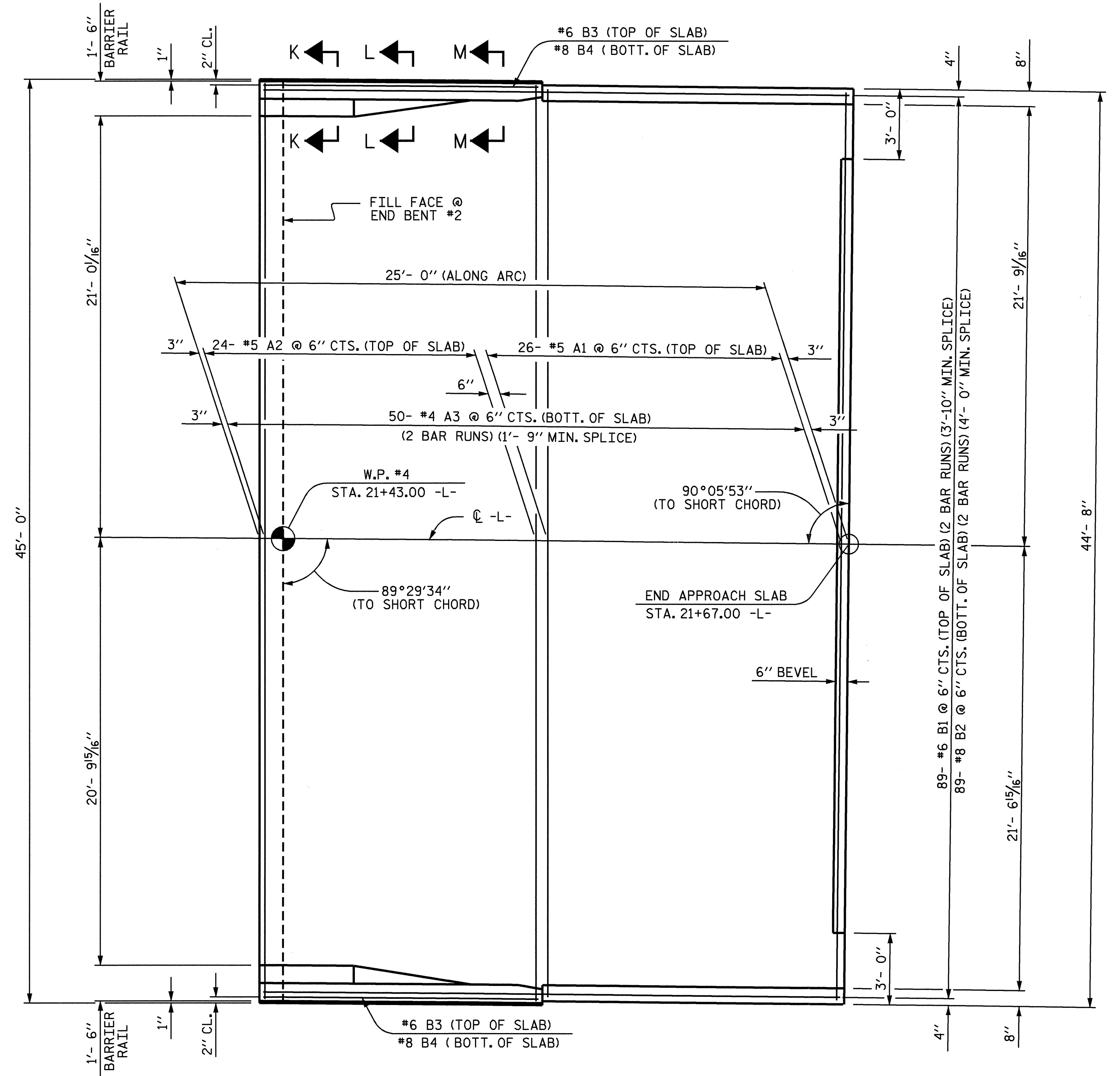
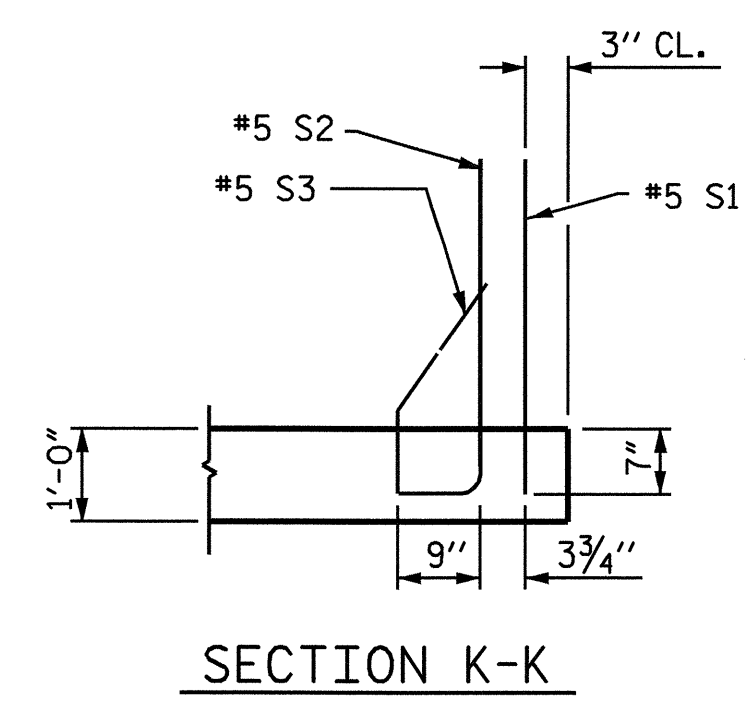


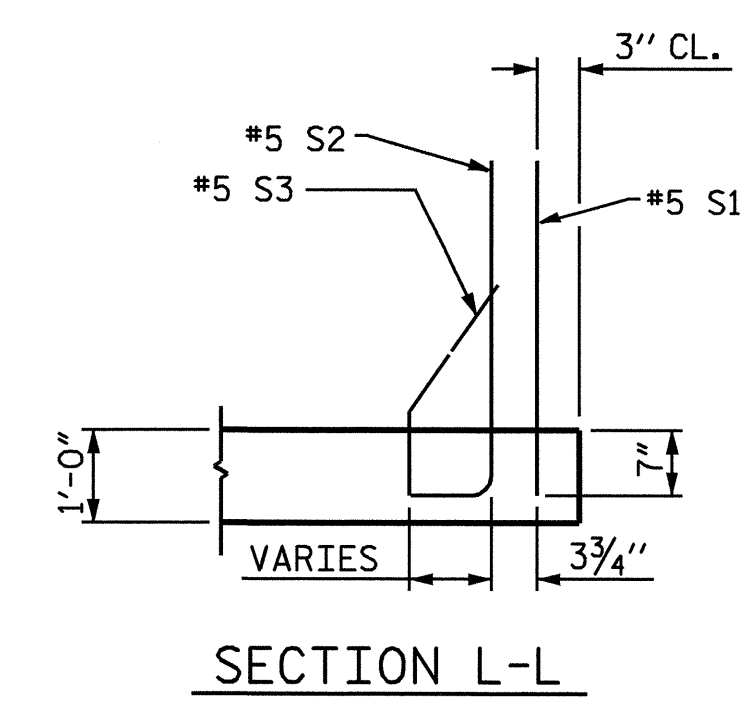
PLAN OF APPROACH SLAB AT END BENT #1



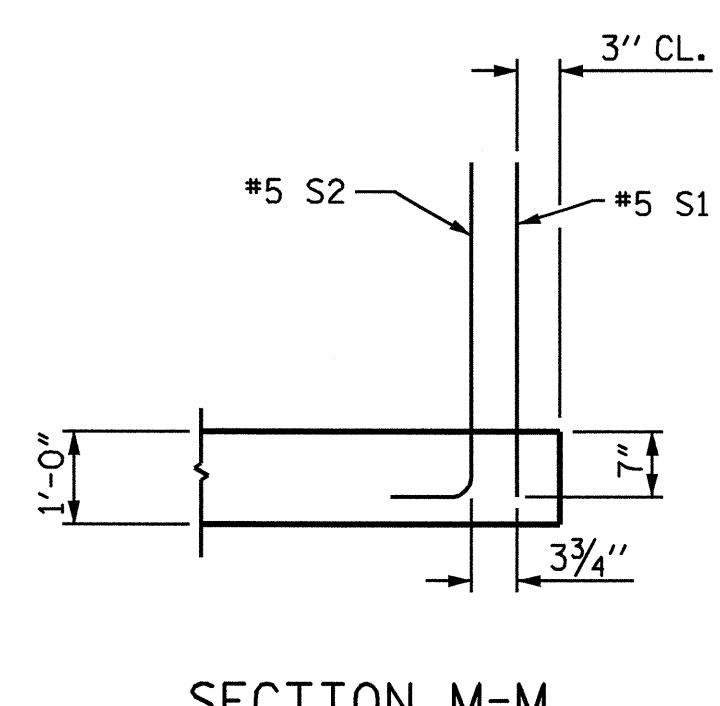
PLAN OF APPROACH SLAB AT END BENT #2



SECTION K-K



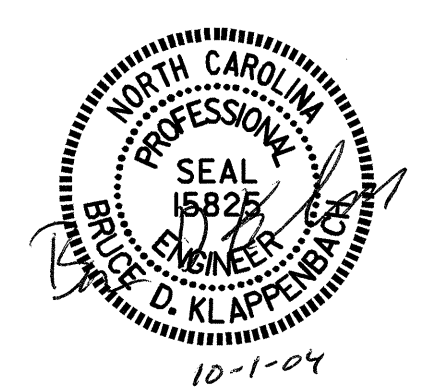
SECTION L-L



SECTION M-M

PROJECT NO. B-3454  
FORSYTH COUNTY  
 STATION: 20+93.00 -L-

SHEET 2 OF 4



STATE OF NORTH CAROLINA  
 DEPARTMENT OF TRANSPORTATION  
 RALEIGH  
 BRIDGE APPROACH SLAB  
 FOR PRESTRESSED  
 CONCRETE CORED SLAB  
 WITH BARRIER RAIL

REVISIONS						SHEET NO.	
NO.	BY:	DATE:	NO.	BY:	DATE:	5-25	
1			3			TOTAL SHEETS	
2			4			27	

DRAWN BY: D. A. GLADDEN DATE: 9-7-04  
 CHECKED BY: M. G. SHAIKH DATE: 9-20-04