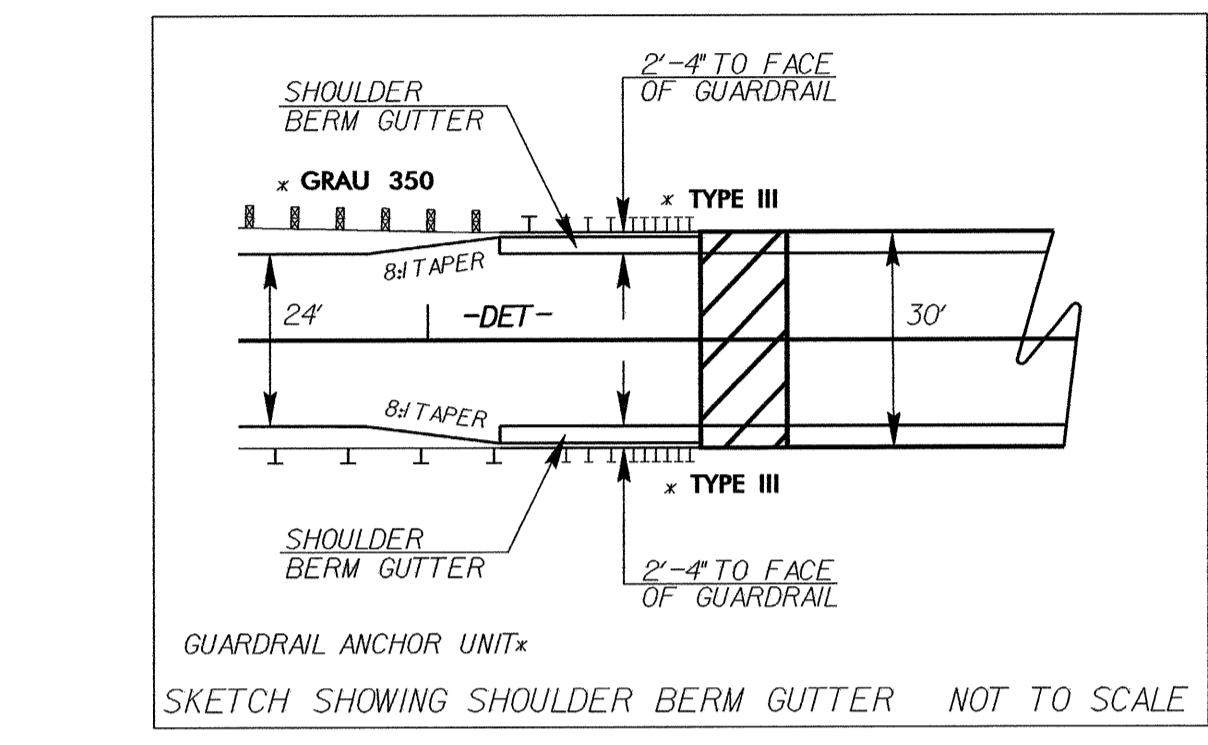
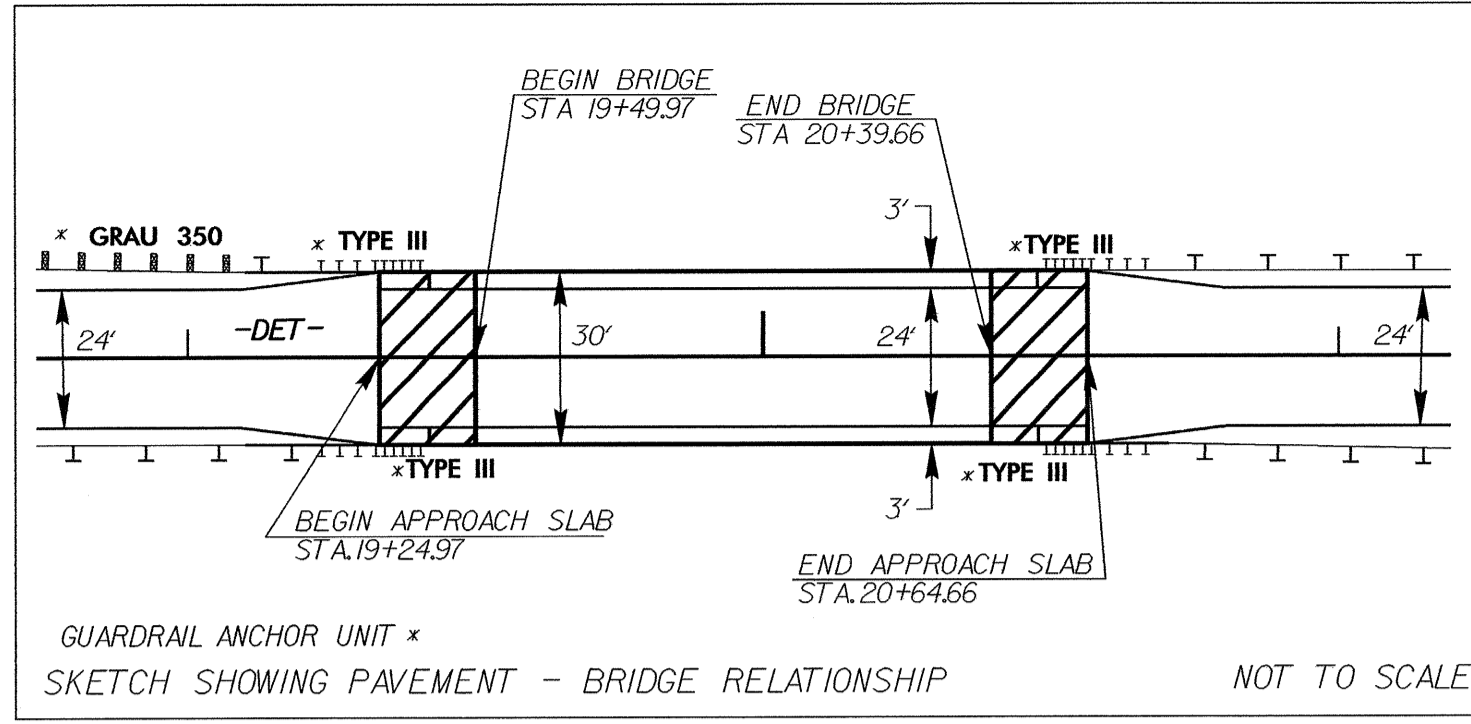


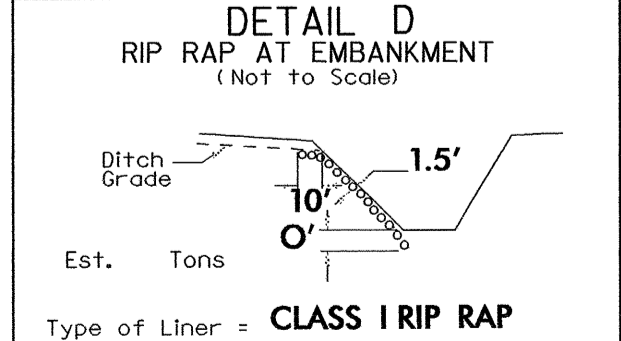
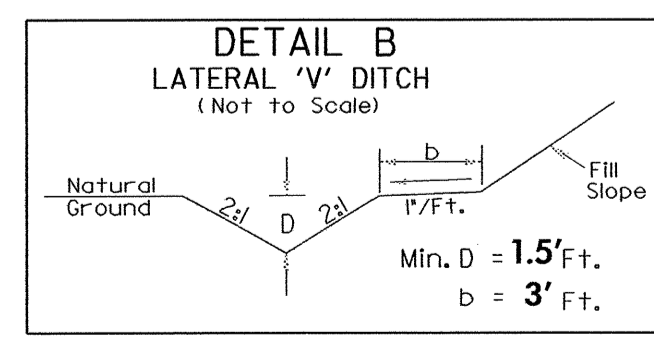
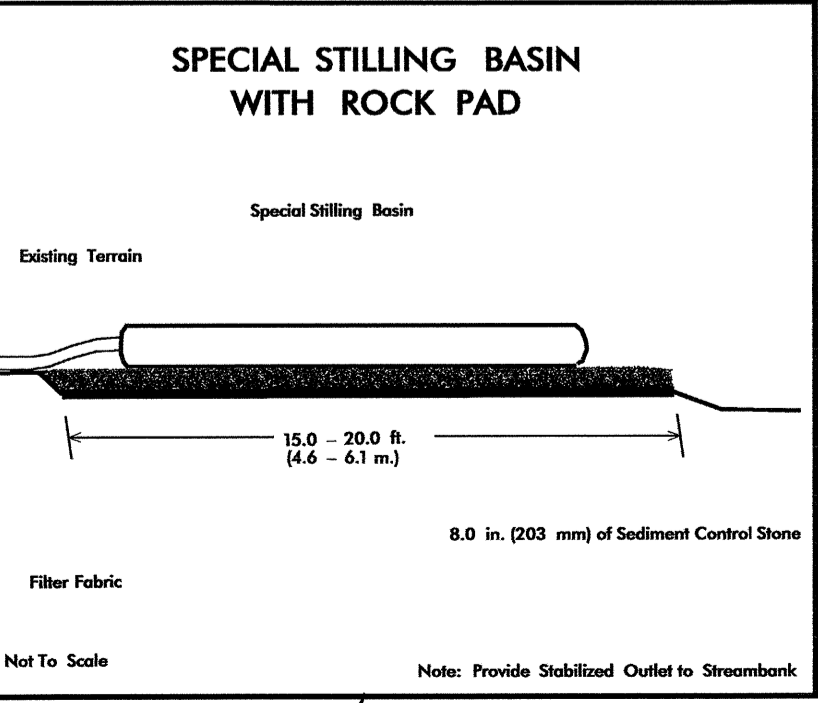
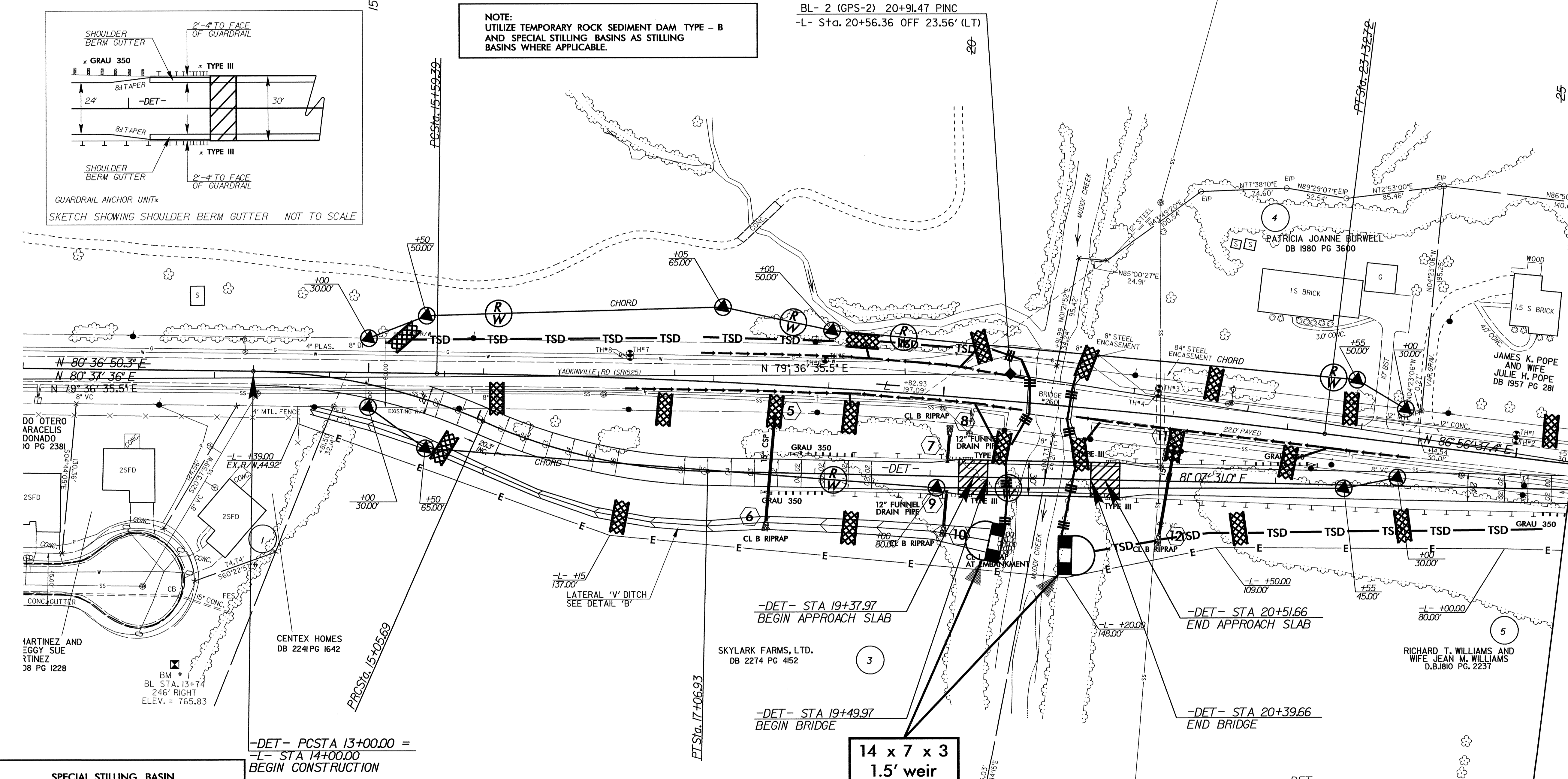
PROJECT REFERENCE NO. B-3454	SHEET NO. EC-6/CONST.2A
RW SHEET NO.	HYDRAULICS ENGINEER
ROADWAY DESIGN ENGINEER	



NOTE:
UTILIZE TEMPORARY ROCK SEDIMENT DAM TYPE - B
AND SPECIAL STILLING BASINS AS STILLING
BASINS WHERE APPLICABLE.

$Pt Sta 19+46.45$
 $\Delta = 6' 19' 47.1'' (RT)$
 $D = 0' 49' 06.6''$
 $L = 773.33'$
 $T = 387.06'$
 $R = 7,000.00'$

2
 T-SQUARE CORP.
 DB 1214 PG 874
 BL-2 (GPS-2) 20+91.47 PINC
 -L- Sta. 20+56.36 OFF 23.56' (LT)



14 x 7 x 3
1.5' weir

$Pt Sta 14+04.26$ $\Delta = 23' 06' 28.0'' (RT)$ $D = 11' 14' 04.1''$ $L = 205.69'$ $T = 104.26'$ $R = 510.00'$	$Pt Sta 16+07.64$ $\Delta = 22' 36' 33.0'' (LT)$ $D = 11' 14' 04.1''$ $L = 201.25'$ $T = 101.95'$ $R = 510.00'$	$Pt Sta 26+74.54$ $\Delta = 5' 49' 07.0'' (RT)$ $D = 2' 51' 53.2''$ $L = 203.11'$ $T = 101.64'$ $R = 2,000.00'$
--	--	--

SEE SHEET 6 FOR -DET- PROFILE

REVISIONS
 4/26/04 NAMES OF PROPERTY OWNERS REVISED IN THE B-3454.BRL FILE: (1) TO CENTEX HOMES; (3) TO SKYLARK FARMS LTD.; (5) TO RICHARD T. WILLIAMS AND WIFE; JEAN WILLIAMS; (8) 6/15/04 OFFSETS HAVE BEEN CHANGED TO 30.00 FT (8)

8/17/99

I:\SEPR\2004\1015\B3454\Proc\B3454-rdw-dsn-EC.dgn
 3:58 PM 8/17/99