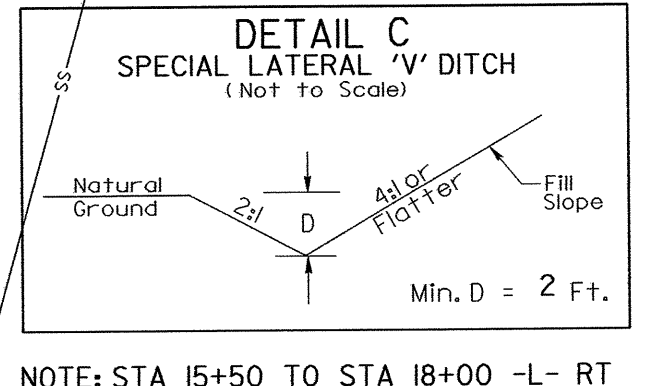
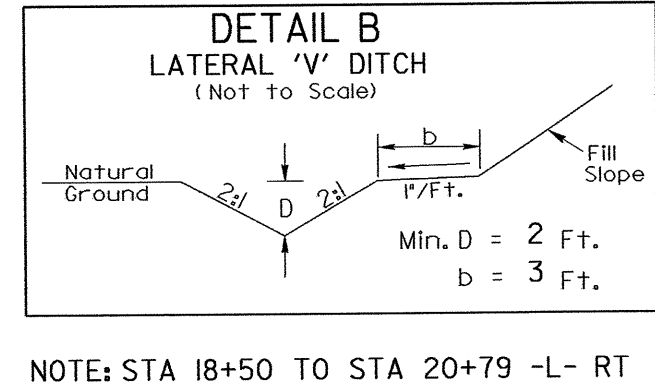
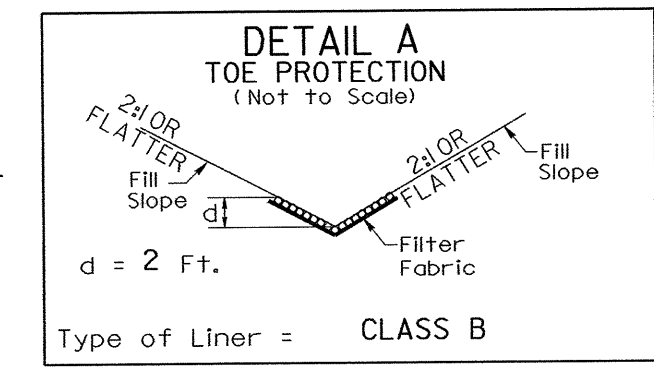
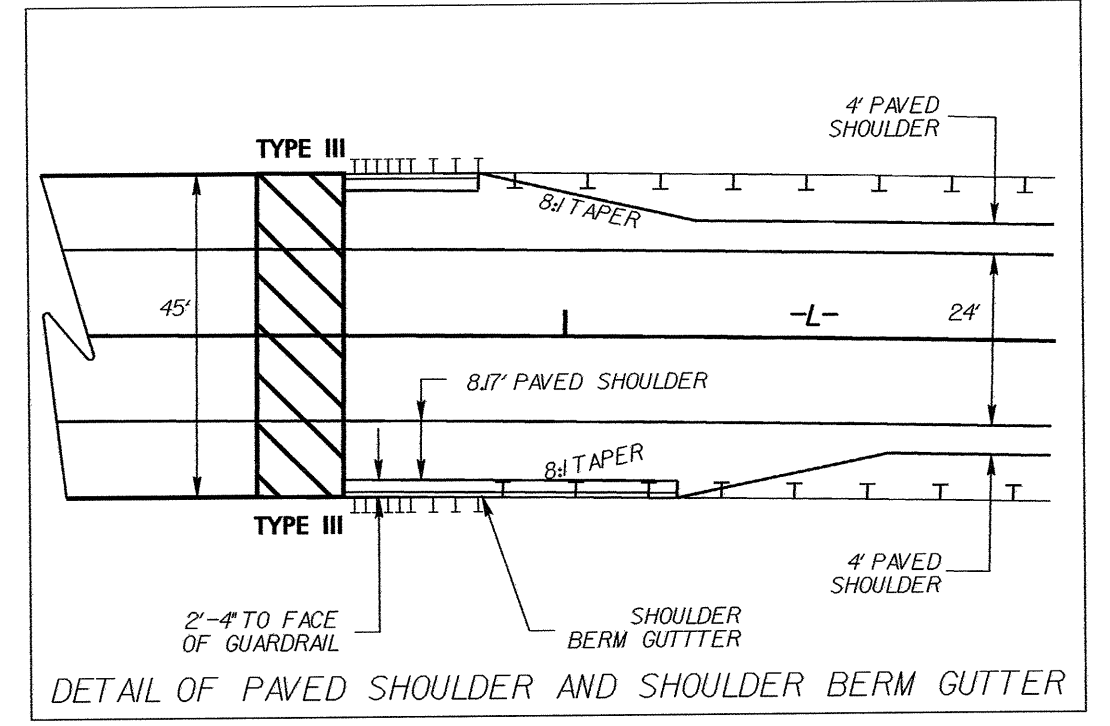
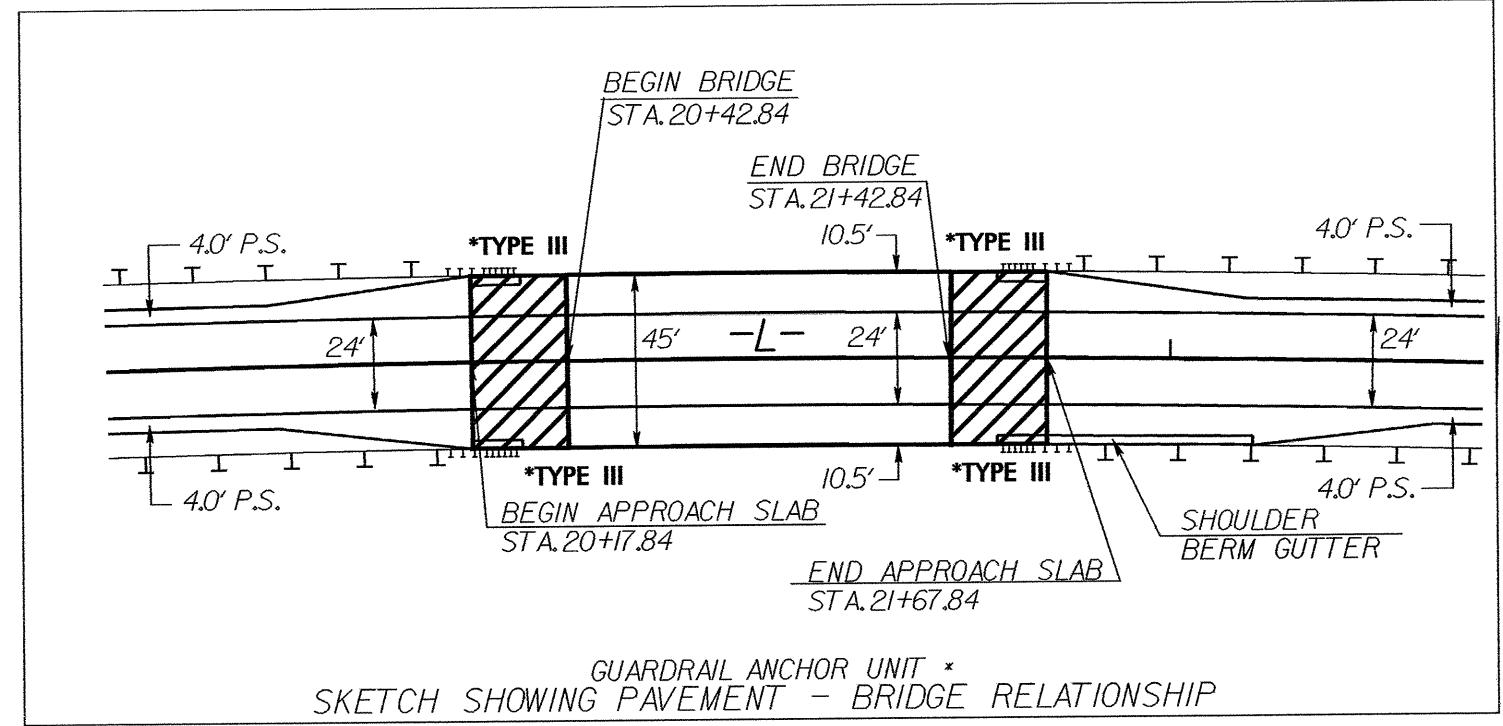


PROJECT REFERENCE NO.	SHEET NO.
B-3454	EC-8/CONST.4
RW SHEET NO.	
ROADWAY DESIGN ENGINEER	HYDRAULICS ENGINEER



-L-
 PI Sta 19+46.45
 $\Delta = 6' 19' 47.1" (RT)$
 $D = 0' 49' 06.6"$
 $L = 773.33'$
 $T = 387.06'$
 $R = 7,000.00'$

NOTE: STA 15+50 TO STA 18+50 -L- LT
 PLACE CLASS B RIP RAP AT THE TOE OF SLOPE.

NOTE: STA 18+50 TO STA 20+79 -L- RT

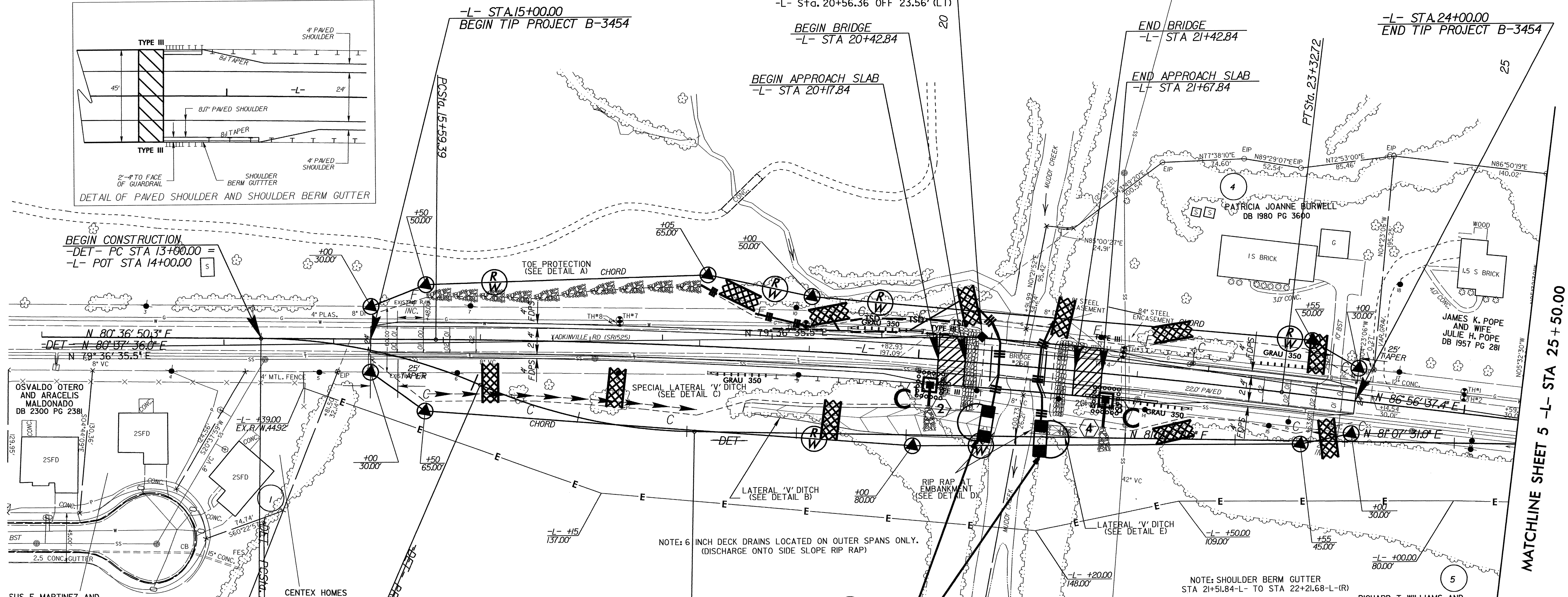
NOTE: STA 15+50 TO STA 18+00 -L- RT

2
 T-SQUARE CORP.
 DB 1214 PG 874
 BL- 2 (GPS-2) 20+91.47 PINC
 -L- Sta. 20+56.36 OFF 23.56' (LT)

BEGIN BRIDGE
 -L- STA 20+42.84

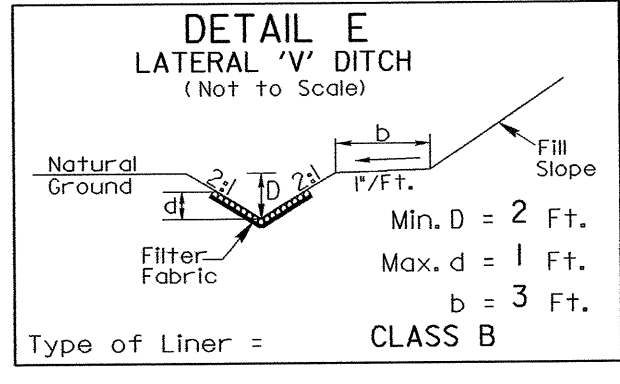
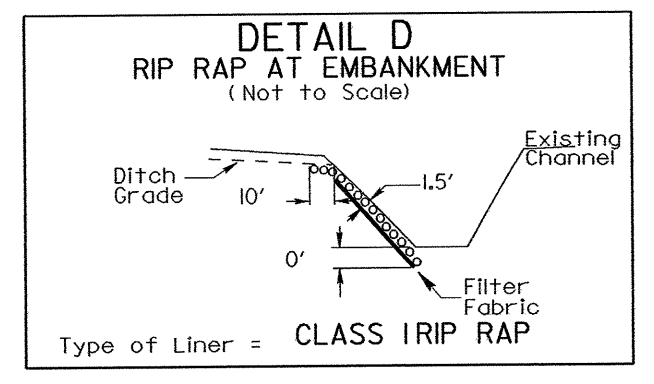
END BRIDGE
 -L- STA 21+42.84

-L- STA 24+00.00
 END TIP PROJECT B-3454



DATUM DESCRIPTION
 THE LOCALIZED COORDINATE SYSTEM DEVELOPED FOR THIS PROJECT IS BASED ON THE STATE PLANE COORDINATES ESTABLISHED BY NCOT FOR MONUMENT "B3454-1" WITH NAD 1983/95 STATE PLANE GRID COORDINATES OF NORTHING: 87475.43711 EASTING: 1599450.87611 THE AVERAGE COMBINED GRID FACTOR USED ON THIS PROJECT (GROUND TO GRID IS: 0.9999415) THE N.C. LAMBERT GRID BEARING AND LOCALIZED HORIZONTAL GROUND DISTANCE FROM "B3454-1" TO -L- STATION (110+0000) IS N 78° 19' 03.21" E 5340' ALL LINEAR DIMENSIONS ARE LOCALIZED HORIZONTAL DISTANCES VERTICAL DATUM USED IS NAVD 88

14 x 7 x 3
 1.5' weir



-DET-
 PI Sta 14+04.26 $\Delta = 23' 06' 28.0" (RT)$ $D = 1' 14' 04.1"$ $L = 205.69'$ $T = 104.26'$ $R = 510.00'$
 PI Sta 16+07.64 $\Delta = 22' 36' 33.0" (LT)$ $D = 1' 14' 04.1"$ $L = 201.25'$ $T = 101.95'$ $R = 510.00'$
 PI Sta 26+14.54 $\Delta = 5' 49' 07.0" (RT)$ $D = 2' 51' 53.2"$ $L = 203.11'$ $T = 101.64'$ $R = 2,000.00'$

NOTE: FOR CLARITY -DET- DATA IS CROSSED OUT BUT DATA IS CORRECT

SEE SHEET 6 FOR -L- PROFILE

NOTE: LATERAL V DITCH OUTLET, STA 20+50-L- TO CREEK RT, EST. 15 TONS, CLASS I
 NOTE: LATERAL V DITCH OUTLET, STA 21+07-L- TO CREEK RT, EST. 6 TONS, CLASS I

NOTE: STA 21+07 TO STA 21+50 -L- RT

REVISIONS
 RIGHT OF WAY REVISION: NAME CHANGES AND SUB-DIVISION OF PARCEL 1 AND PARCEL 5 DUE TO INITIAL PROPERTY OWNER CONTRACTS: BBP JULY 16, 2004

8/17/99

13-SEP-2004 10:46
 d:\vnu\B3454\B3454.dwg
 13-SEP-2004 10:46
 d:\vnu\B3454\B3454.dwg