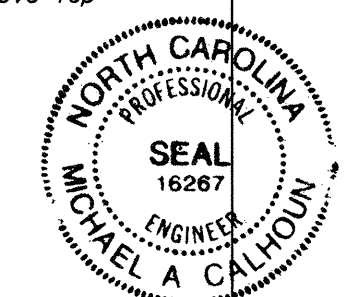
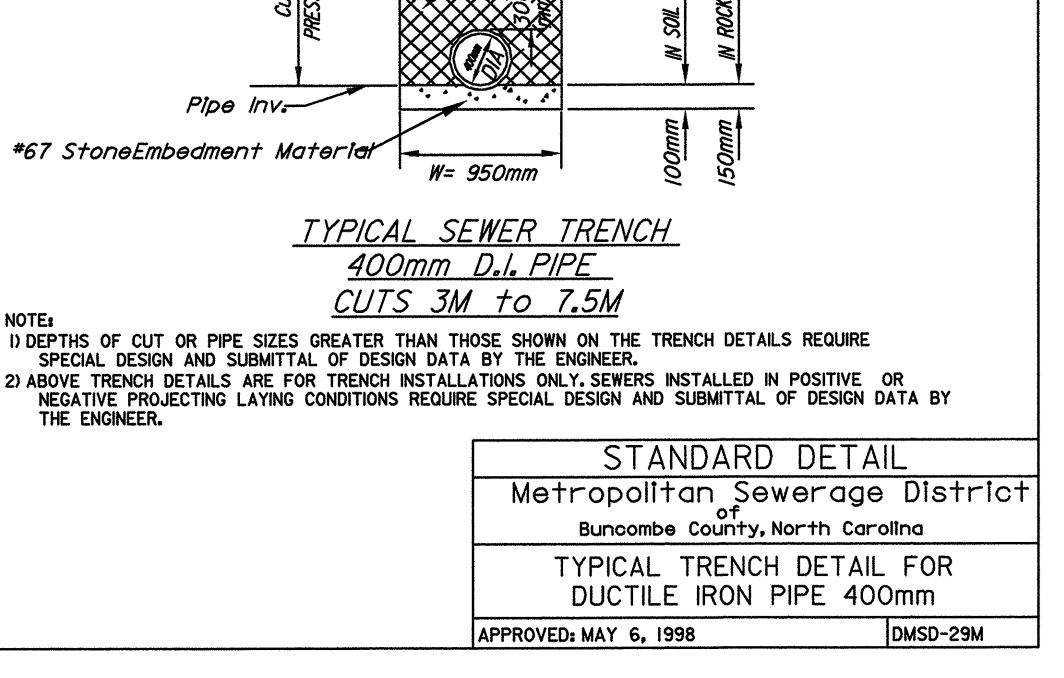
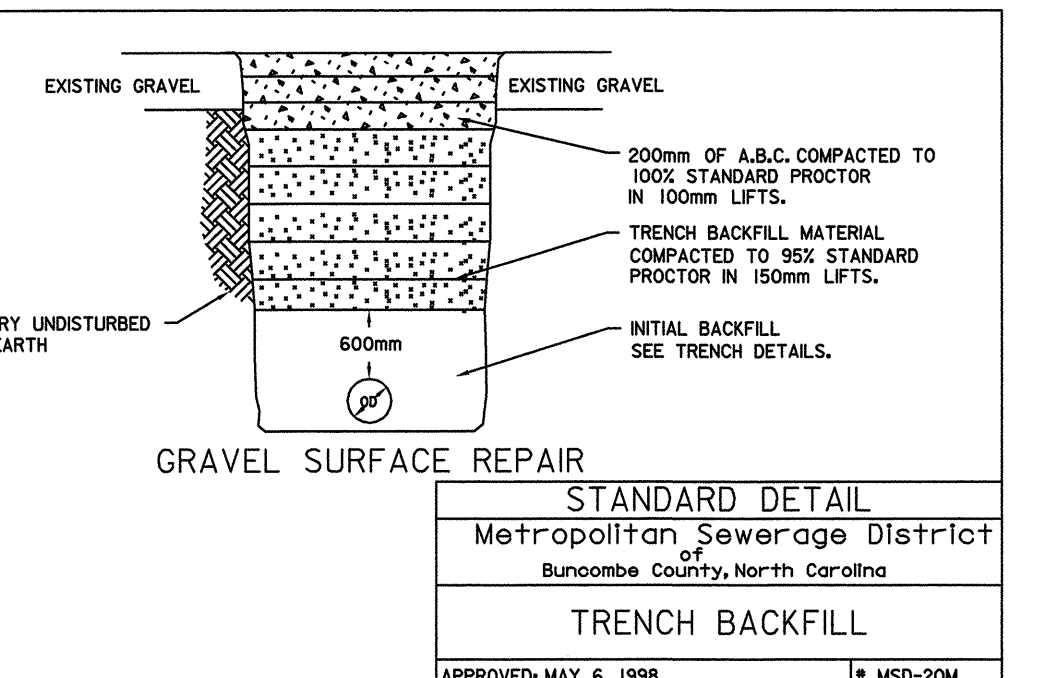
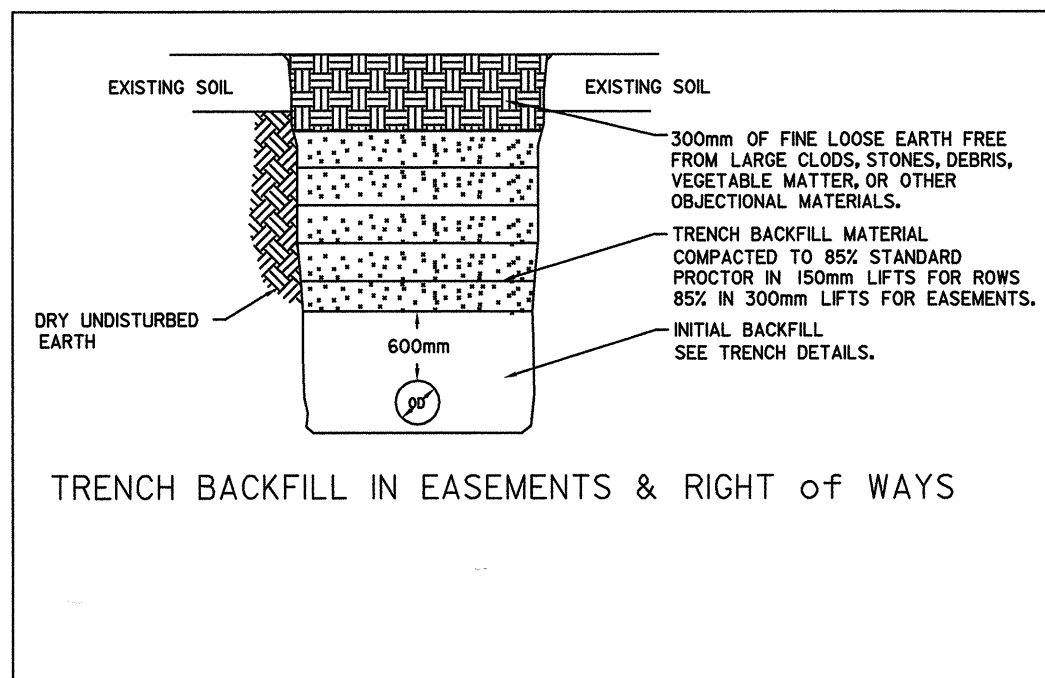
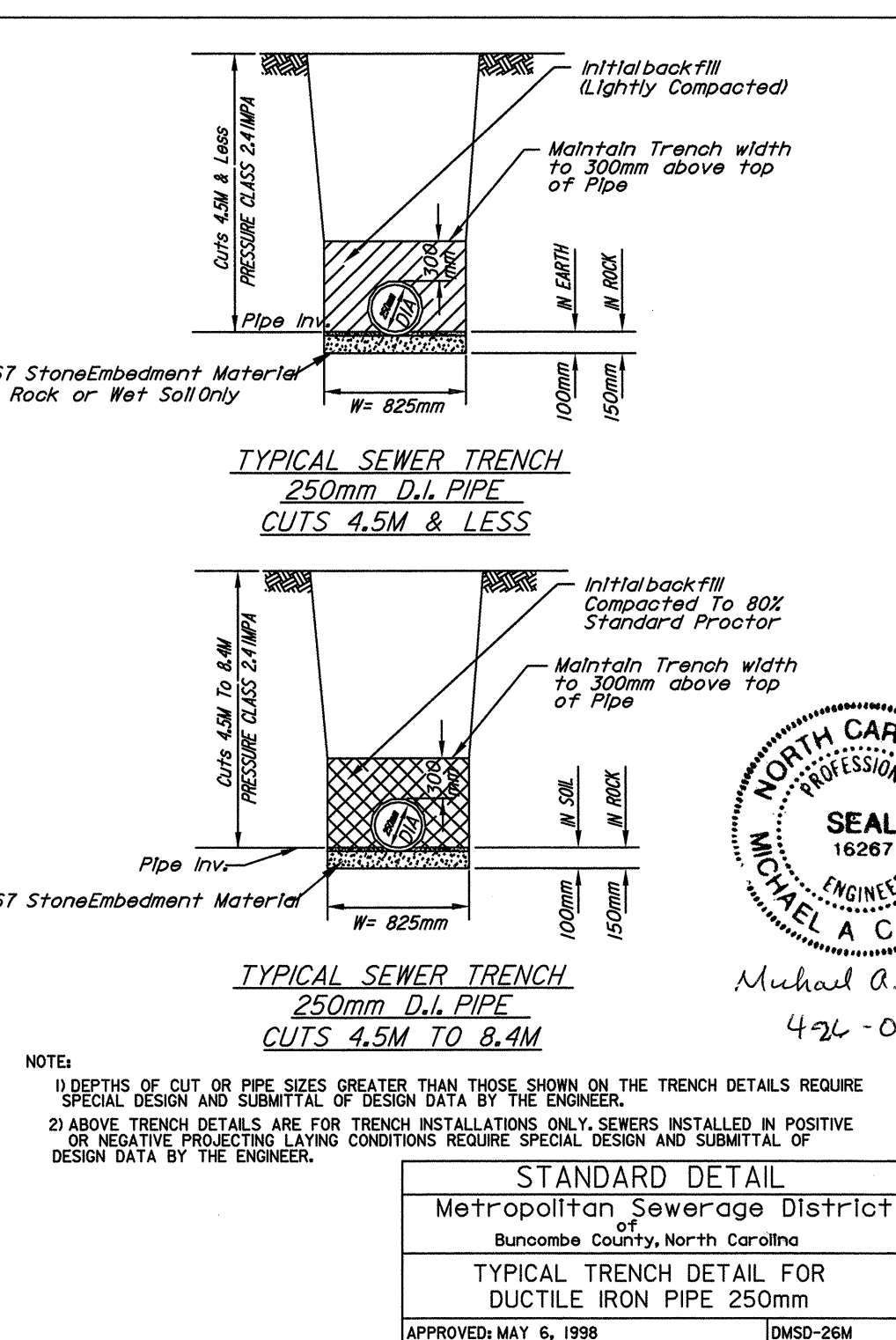
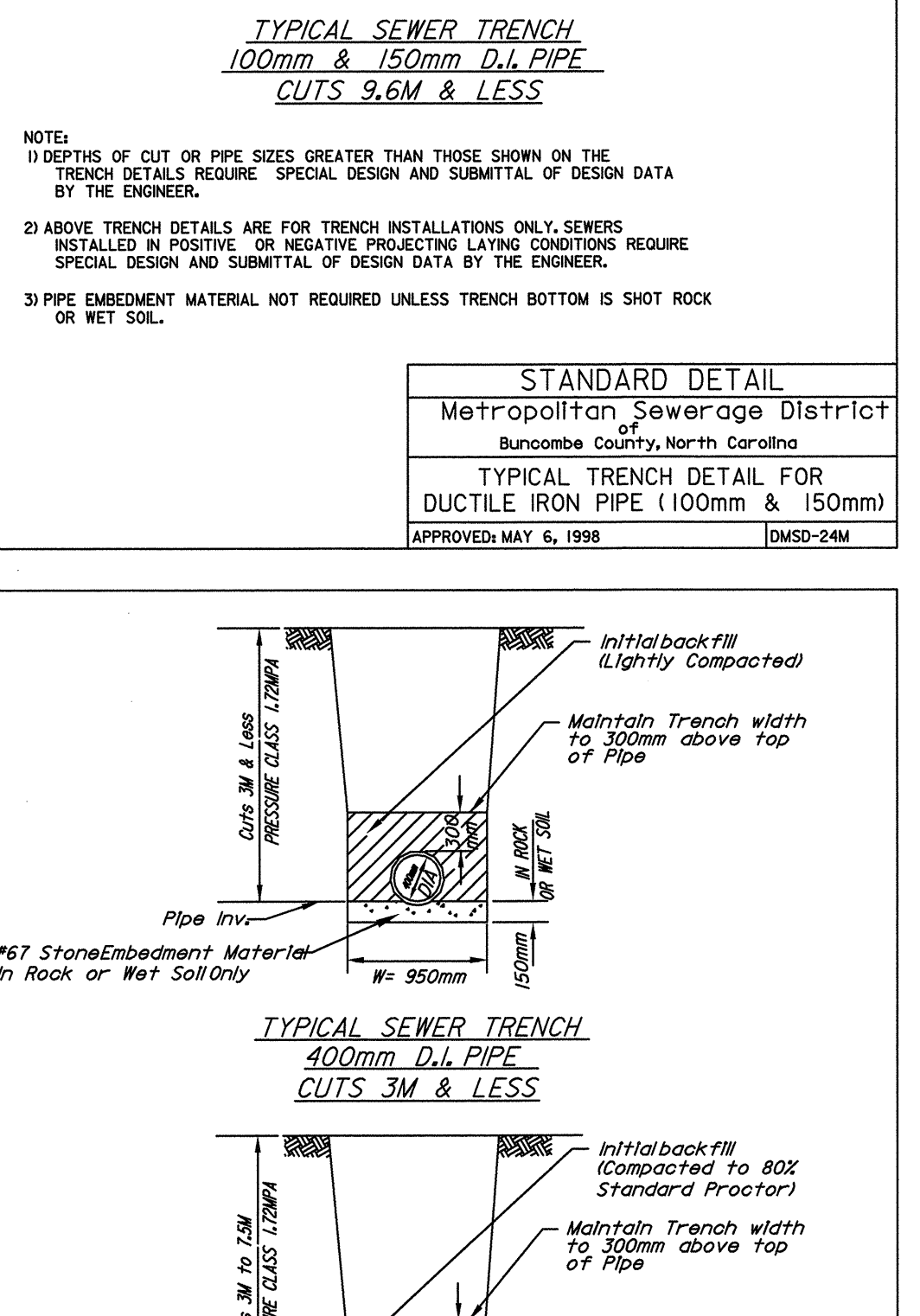
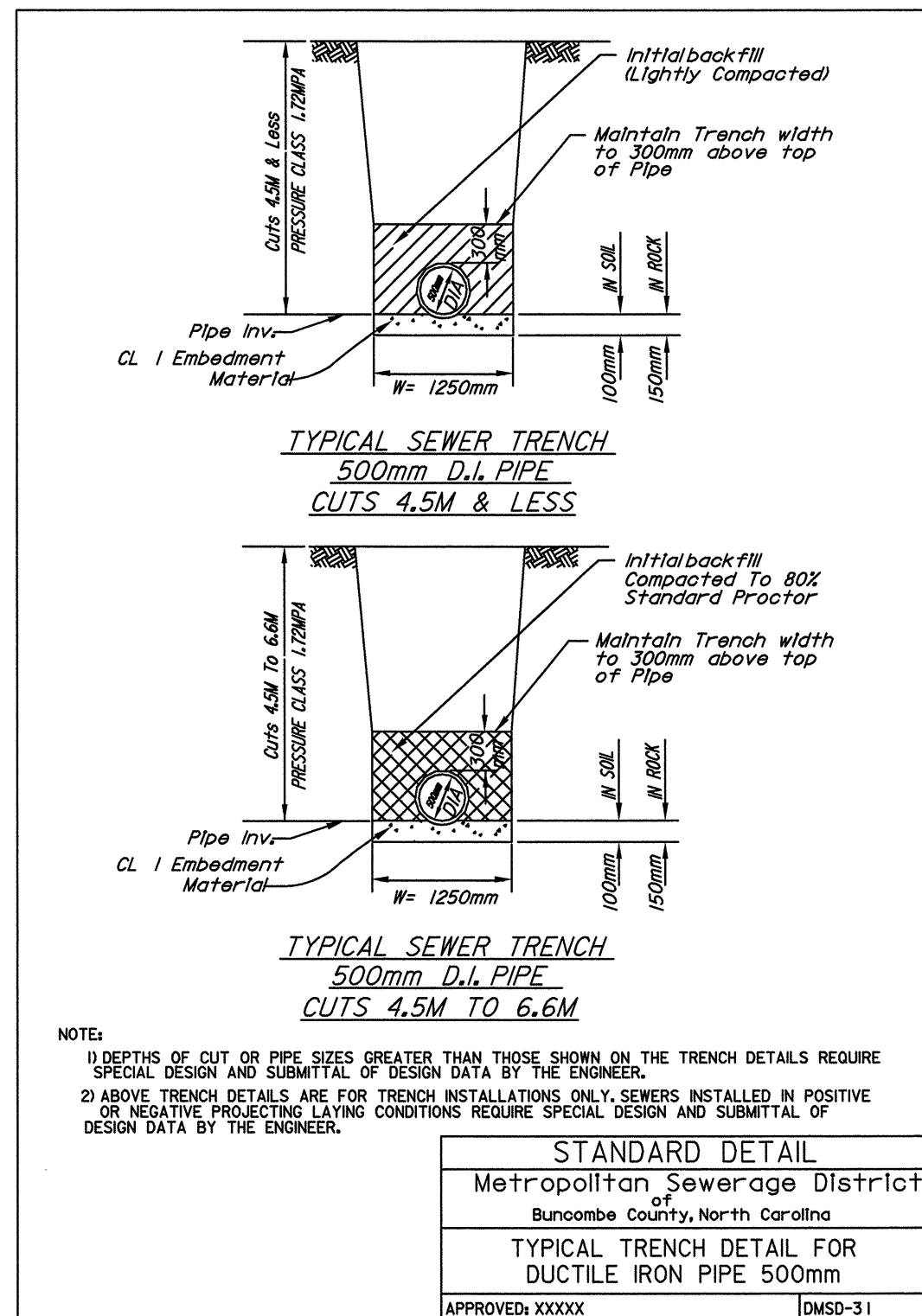
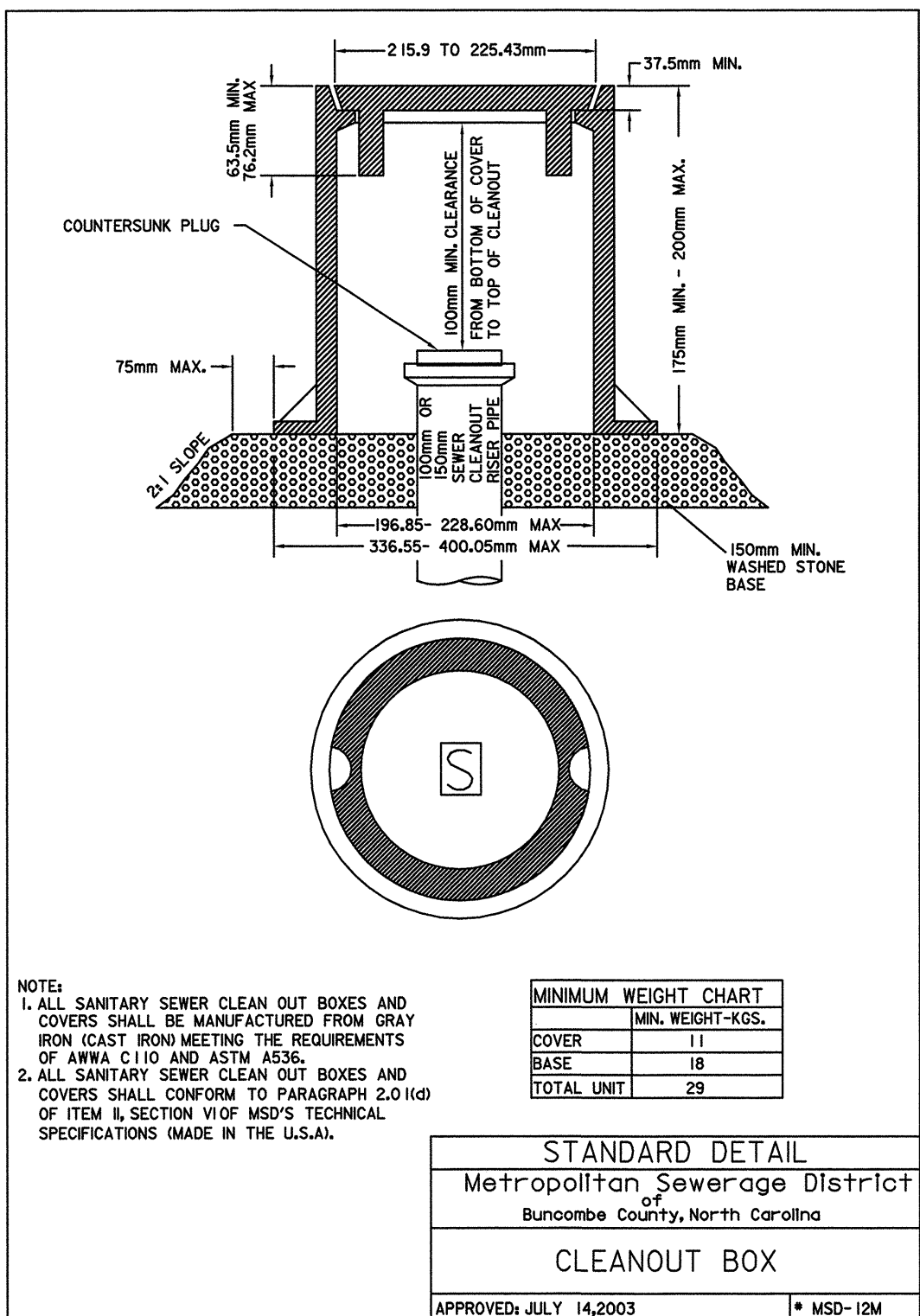
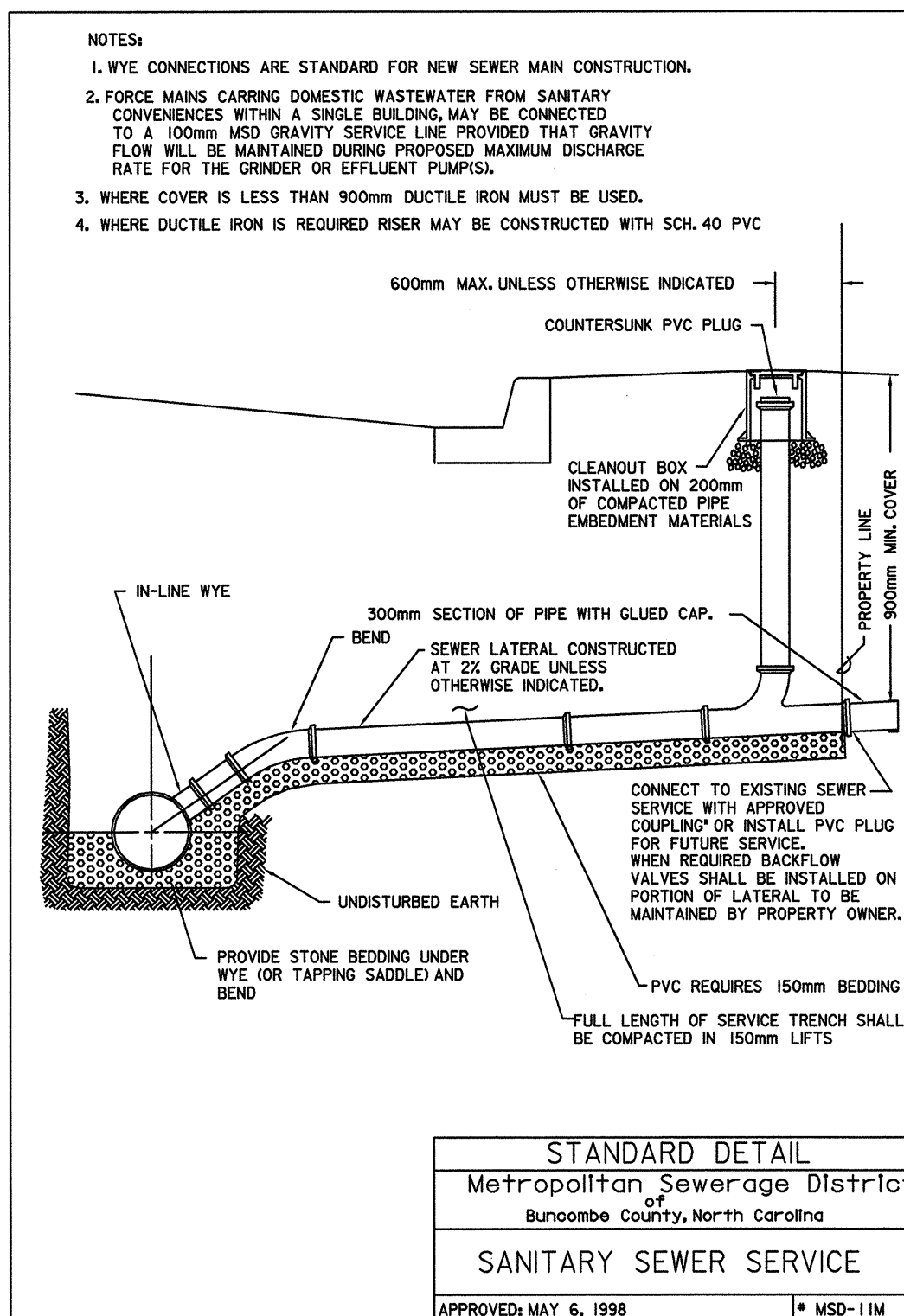
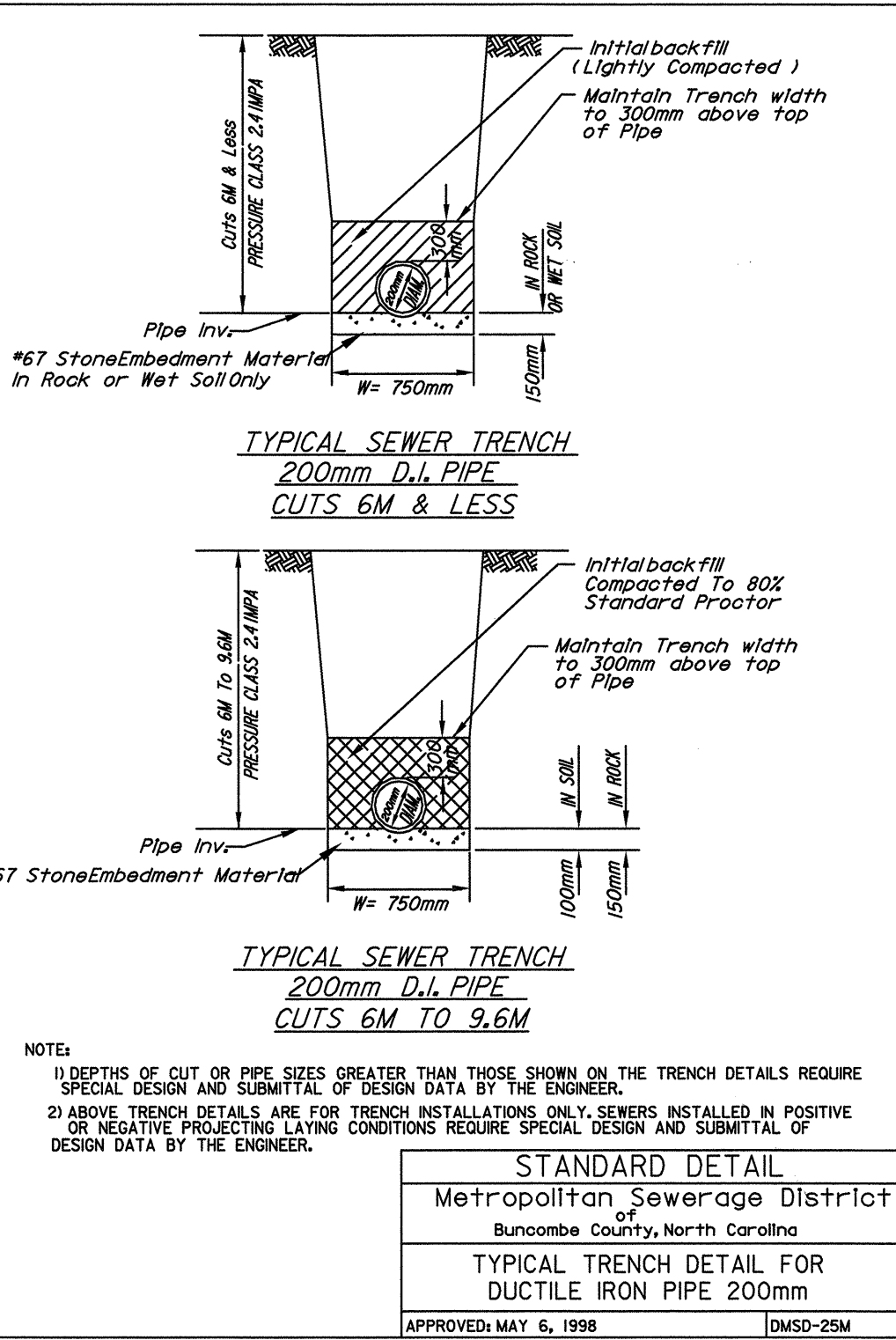
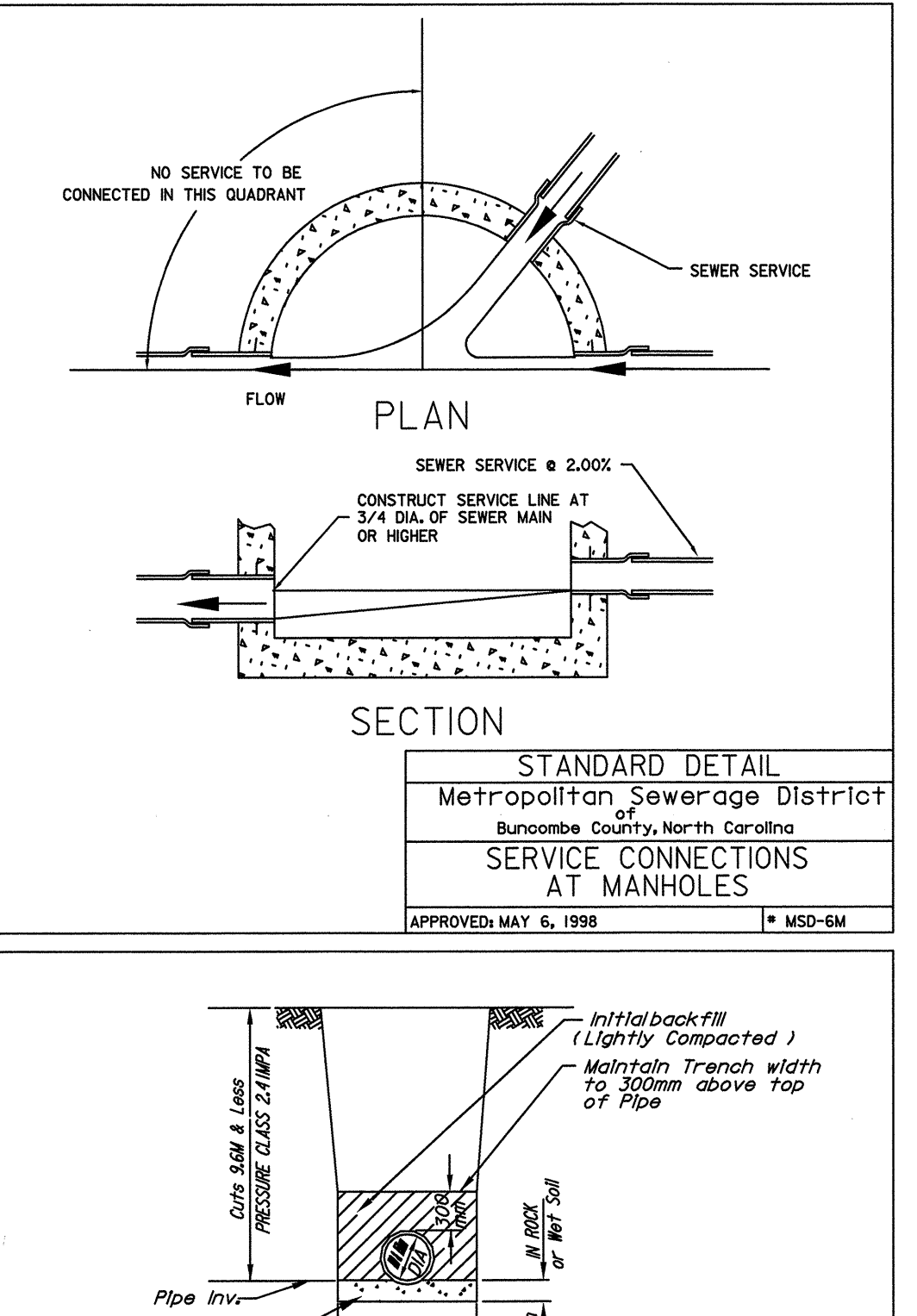
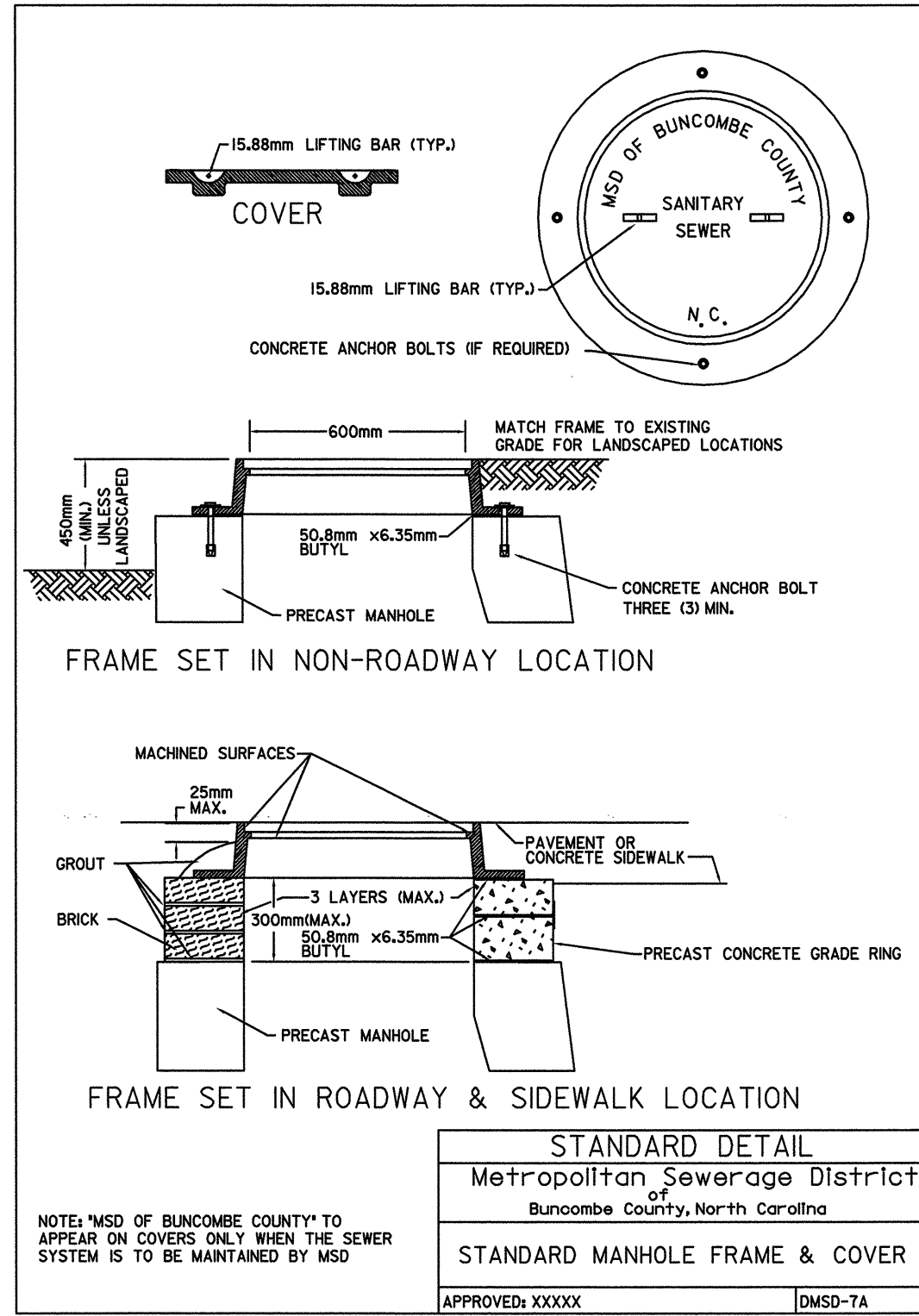
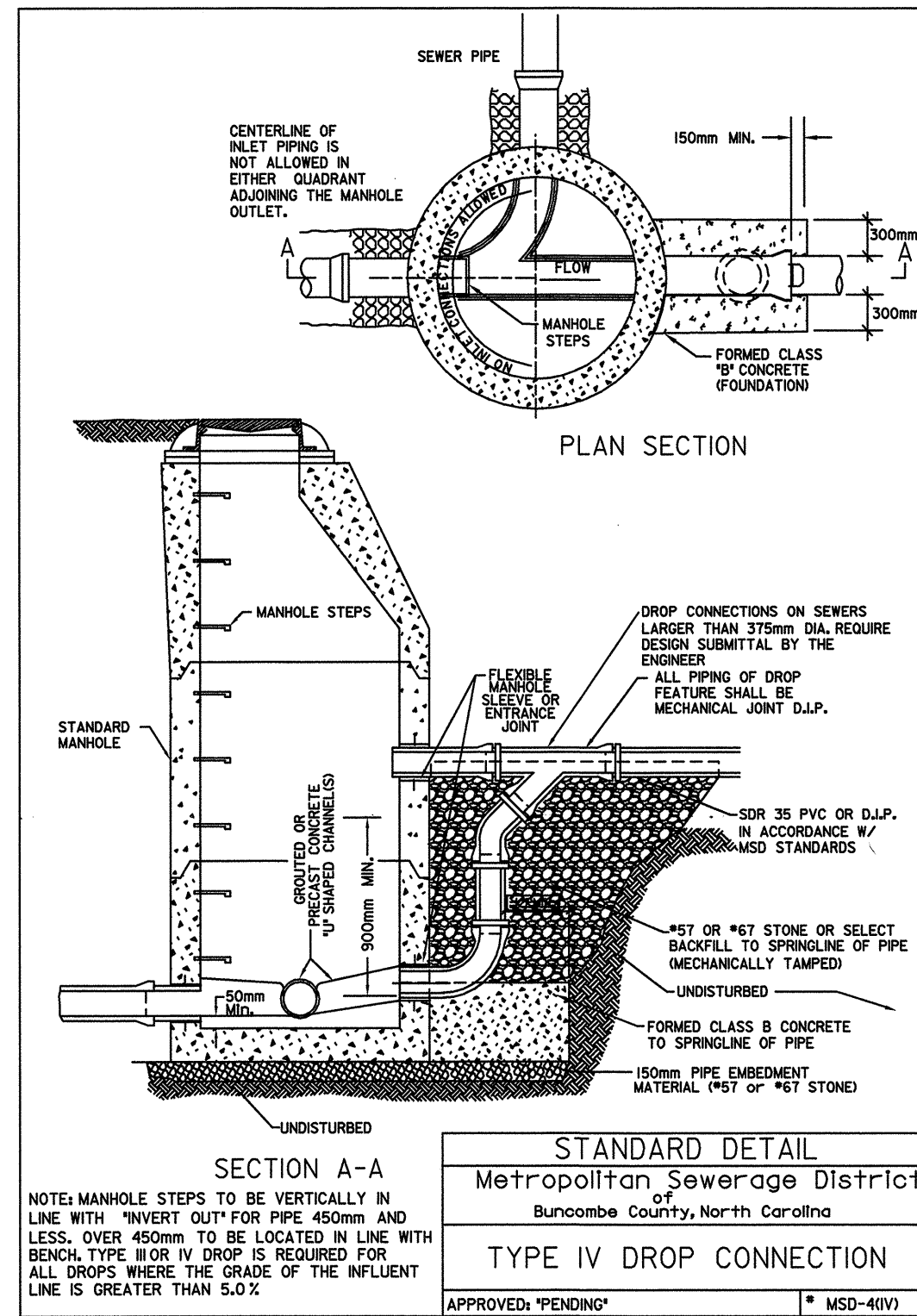
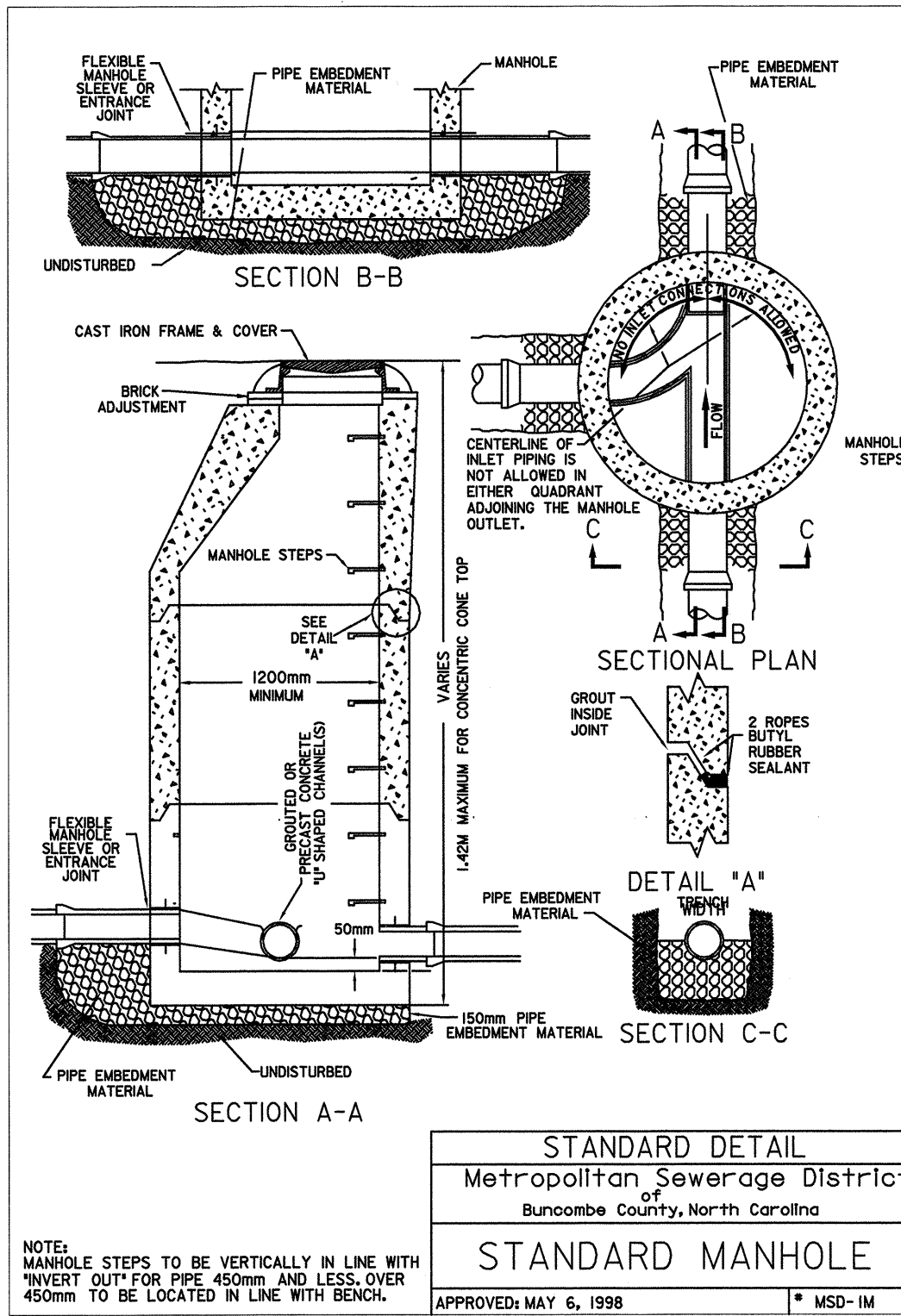




PROJECT REFERENCE NO. <i>R-2813C</i>	SHEET NO. <i>UC-30</i>
R/W SHEET NO.	
ROADWAY DESIGN ENGINEER	HYDRAULICS ENGINEER

CONST. REV. \_\_\_\_\_  
R/W REV. \_\_\_\_\_

**UTILITY CONSTRUCTION  
SEWER**



Michael A. Calhoun  
426-04

CONTRACT #C200822