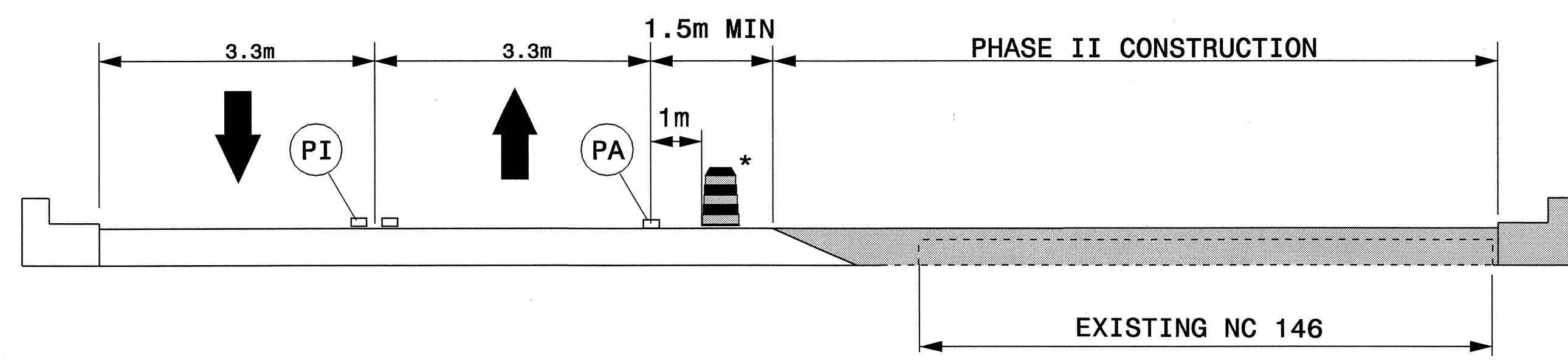
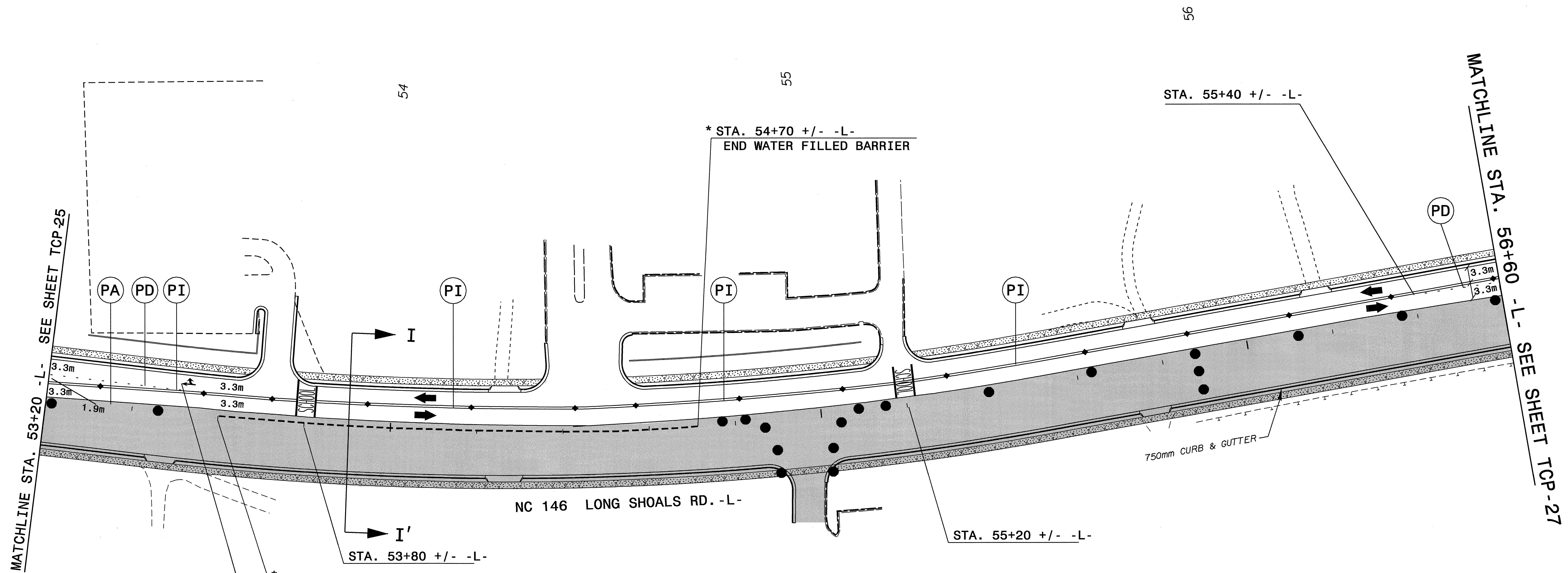
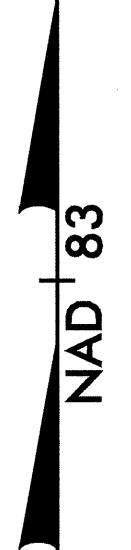




PROJ. REFERENCE NO.	SHEET NO.
R-2813C	TCP-26



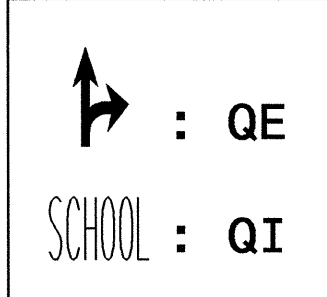
SECTION I-I'  
 STA. 53+60 +/- -L- TO STA. 56+40 +/- -L-  
 STA. 58+60 +/- -L- TO STA. 63+30 +/- -L-

SEE RDWY. STD. DWG. 1250.01 AND 1251.01 FOR PAVEMENT MARKER SPACING AND RAISED PAVEMENT MARKERS.

\* INSTALL WATER FILLED BARRIER FROM STA. 53+60 +/- -L- TO STA 54+70 +/- -L- (SEE PHASE II, STEP 3).

100mm CONCRETE SIDEWALK

SEE SHEET PM-1 FOR PAVEMENT MARKING SCHEDULE



APPROVED: [Signature] DATE: [Date]  
 SEAL: [Professional Engineer Seal for C. L. GETTIER, 8973]

PHASE II, STEPS 2, 3 & 4

SCALE: NONE		REVISIONS
DATE: AUGUST 2003		
DWG. BY: JLE		
DESIGN BY: JLE		
REVIEWED BY: JWG		

08-MAR-2004 15:45 -PHASE II.dgn  
 M:\TCP\R2813C\_TCP - AT TETC195141  
 mmamrtquez