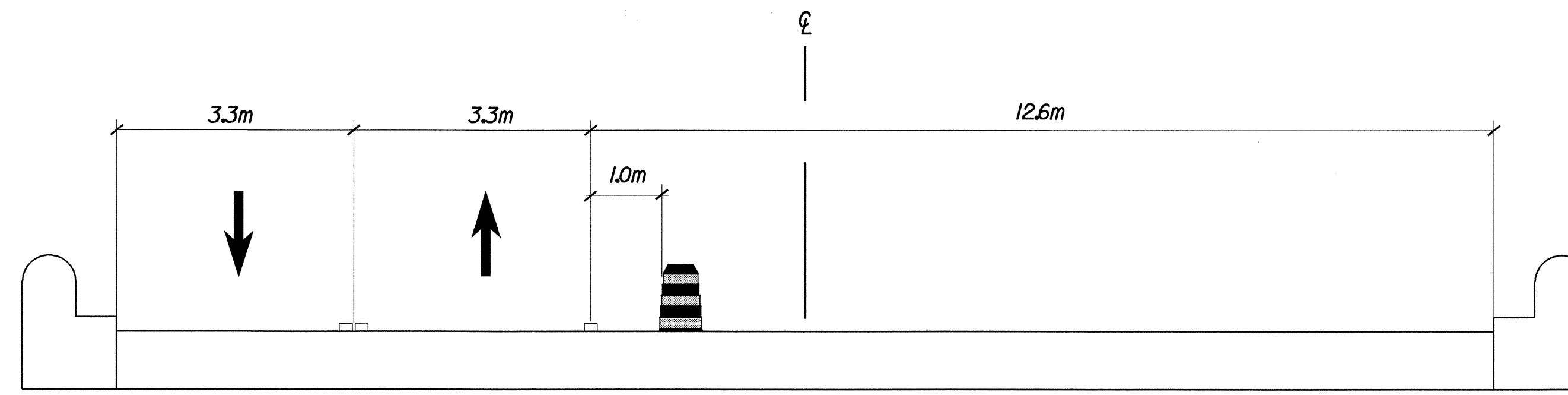
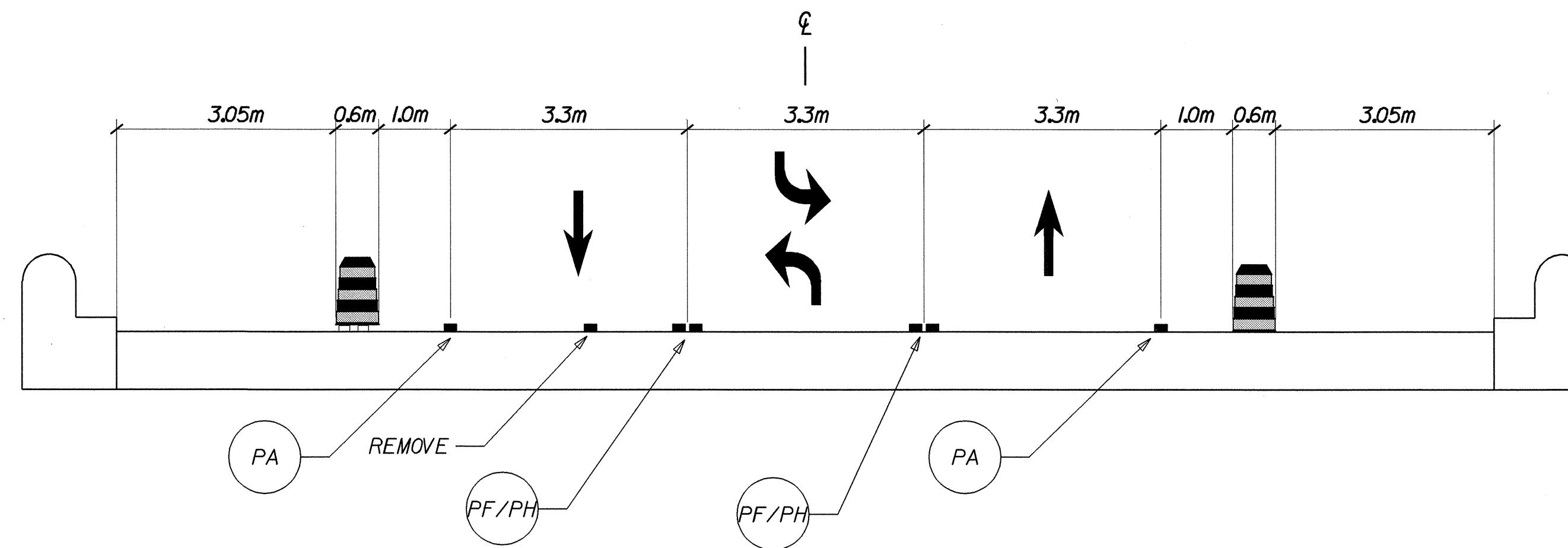




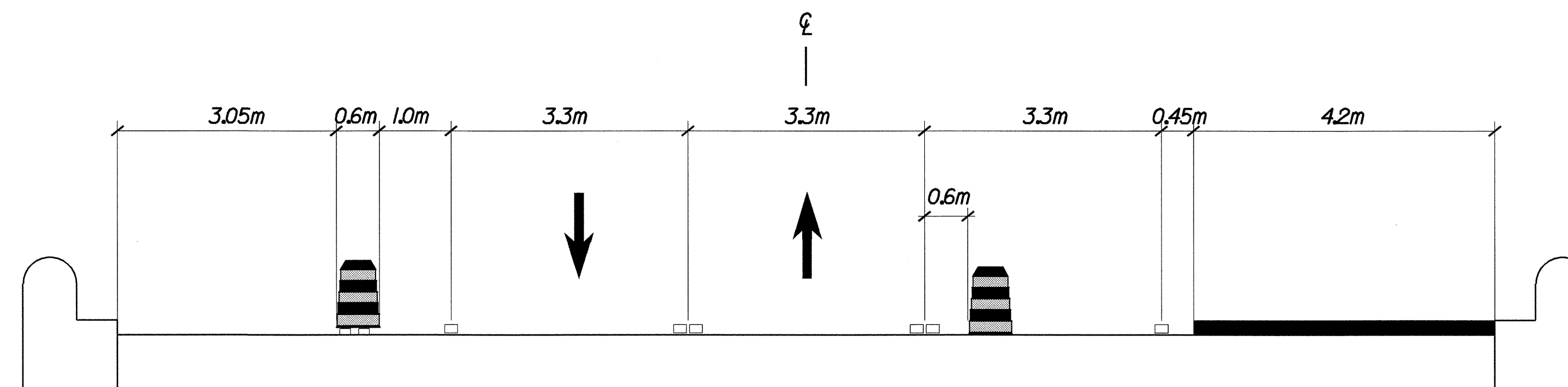
PROJ. REFERENCE NO.	SHEET NO.
R-2813C	TCP-30



EXISTING TEMPORARY PATTERN



TYPICAL A-A'



TYPICAL B-B'

(NOTE: FLIP TYPICAL B-B' TO PAVE THE LEFT OUTSIDE LANE)

SEE RDWY. STD. DWG. 1250.01 AND 1251.01 FOR PAVEMENT MARKER SPACING AND RAISED PAVEMENT MARKERS.

SEE RDWY. STD. DWG. 1205.09 FOR PAINTED ISLANDS.

SEE SHEET PM-1 FOR PAVEMENT MARKING SCHEDULE

08-MAR-2004 15:45
M:\TCP\B2813C_TCP-Typical.dwg
mmamrriquez AT TET095141

APPROVED:	DATE: 5/10/03	PHASE II, STEP 5 PAHSE III, STEP 1A											
	SCALE: NONE												
	DATE: 12/03	<table border="1"> <thead> <tr> <th colspan="2">REVISIONS</th> </tr> </thead> <tbody> <tr> <td> </td> <td> </td> </tr> <tr> <td> </td> <td> </td> </tr> <tr> <td> </td> <td> </td> </tr> </tbody> </table>				REVISIONS							
	REVISIONS												
DWG. BY: MRM	<table border="1"> <tr> <td>CADD FILE</td> </tr> </table>		CADD FILE										
CADD FILE													
DESIGN BY: JWG													
REVIEWED BY: JWG													