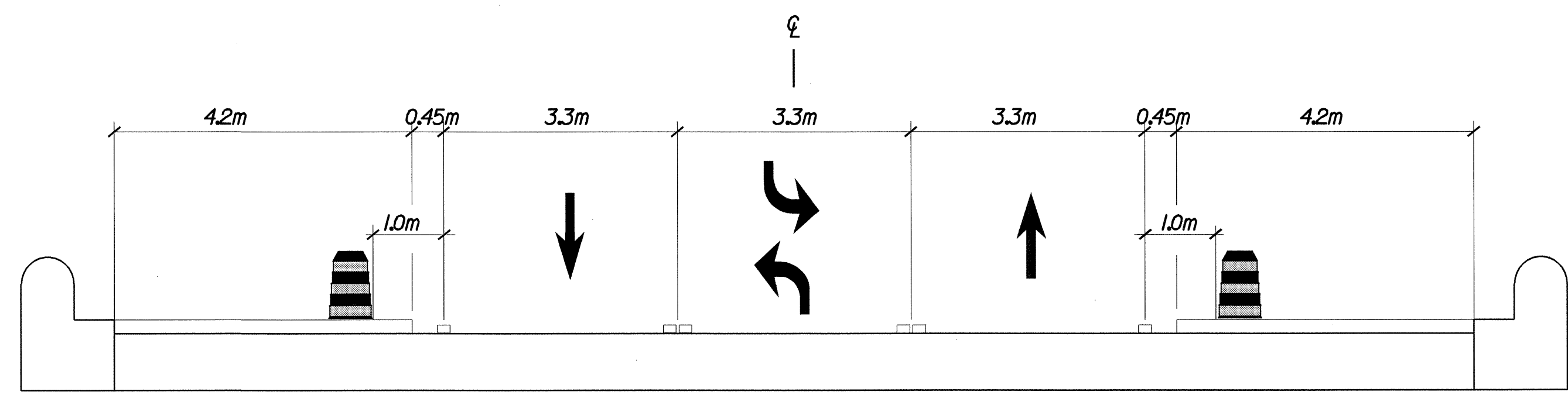
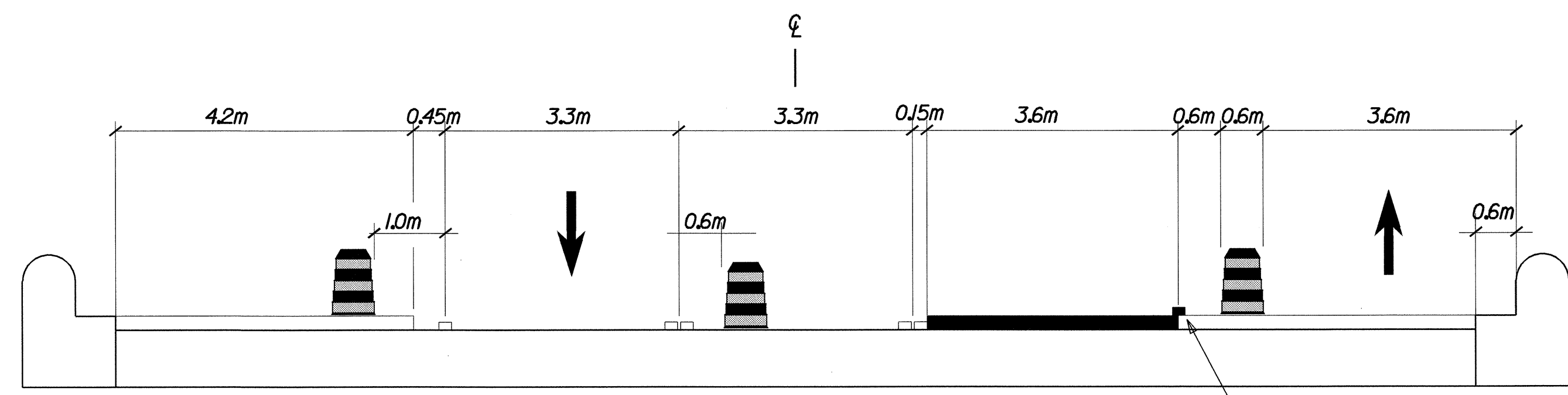




PROJ. REFERENCE NO.	SHEET NO.
R-2813C	TCP-30A

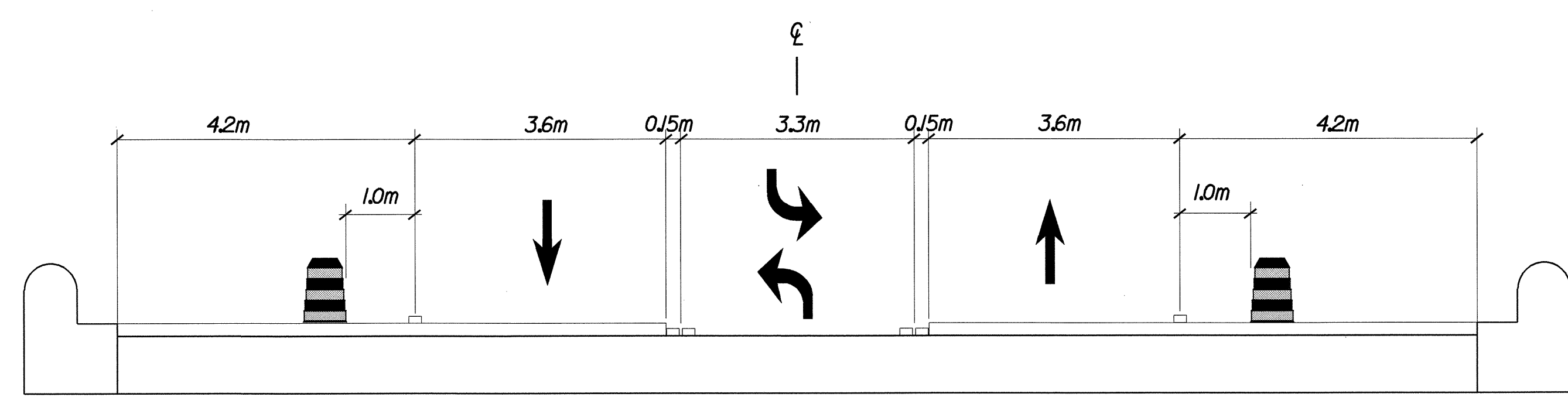


**TYPICAL C-C'**



**TYPICAL D-D'**

(NOTE: FLIP TYPICAL D-D' TO PAVE THE LEFT INSIDE LANE)



**TYPICAL E-E'**

SEE RDWY. STD. DWG. 1250.01 AND 1251.01 FOR PAVEMENT MARKER SPACING AND RAISED PAVEMENT MARKERS.

SEE RDWY. STD. DWG. 1205.09 FOR PAINTED ISLANDS.

SEE SHEET PM-1 FOR PAVEMENT MARKING SCHEDULE

08-MAR-2004 15:44  
M:\TCP\B2813C\TCP\_Typical.dgn  
mmontriquez AT TETC195141

APPROVED:	DATE: 12/03	<b>PHASE III, STEPS 1A, B &amp; C</b>	
	SCALE: NONE		
	DATE: 12/03		
	DWG. BY: MRM		
DESIGN BY: JWG			
REVIEWED BY: JWG			