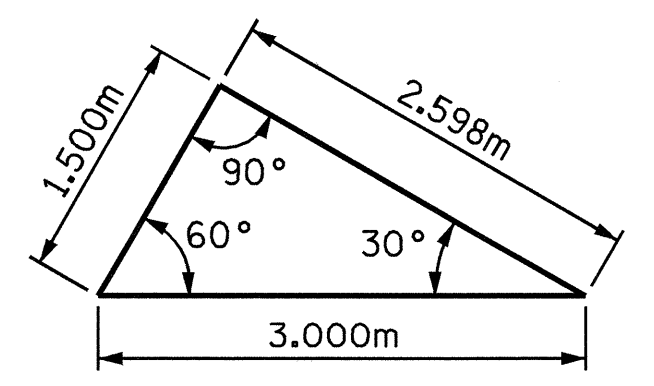


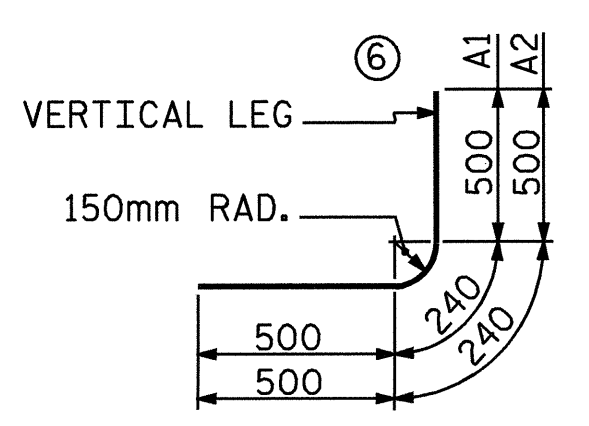
PART PLAN - ROOF SLAB

PART PLAN - FLOOR SLAB



SKEW TRIANGLE

BAR TYPE



DIMENSIONS ARE OUT TO OUT

SPLICE LENGTH CHART

BAR	SIZE	SPLICE LENGTH
B1	13	540
C1	13	590

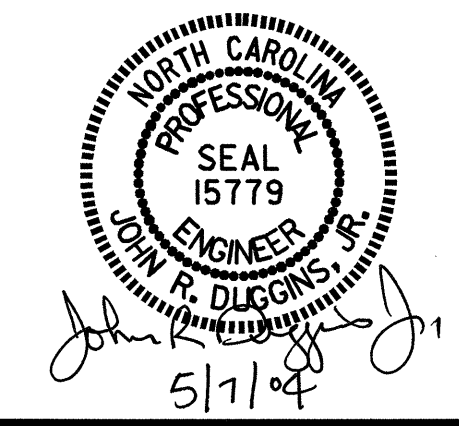
BILL OF MATERIAL

BAR	NO.	SIZE	TYPE	LENGTH	WEIGHT
A100	67	19	STR	2380	356
A101	2	19	STR	1940	9
A102	2	19	STR	1500	7
A103	2	19	STR	1060	5
A104	2	19	STR	640	5
A200	104	16	STR	2380	384
A201	4	16	STR	1800	11
A202	4	16	STR	1240	8
A203	4	16	STR	680	4
A1	180	13	6	1240	222
A2	180	13	6	1240	222
B1	172	13	STR	3320	568
B2	180	13	STR	2840	508
C1	147	13	STR	6340	926
D1	28	19	STR	760	48
G1	4	13	STR	2800	11
F1	12	13	STR	1720	21
S1	12	25	STR	2800	133
REINFORCING STEEL				3446	Kg

PROJECT NO. R-2813C
BUNCOMBE COUNTY
 STATION: 58+91.630 -L-

SHEET 3 OF 4

STATE OF NORTH CAROLINA
 DEPARTMENT OF TRANSPORTATION
 RALEIGH
**SINGLE 2.130m X 3.050m
 CONCRETE BOX CULVERT
 EXTENSION
 120° SKEW**



DRAWN BY: M. E. POOLE DATE: 04/03
 CHECKED BY: J.L. LAMBERT DATE: 06/03

REVISIONS						SHEET NO.
NO.	BY:	DATE:	NO.	BY:	DATE:	C-3
1			3			TOTAL SHEETS
2			4			4