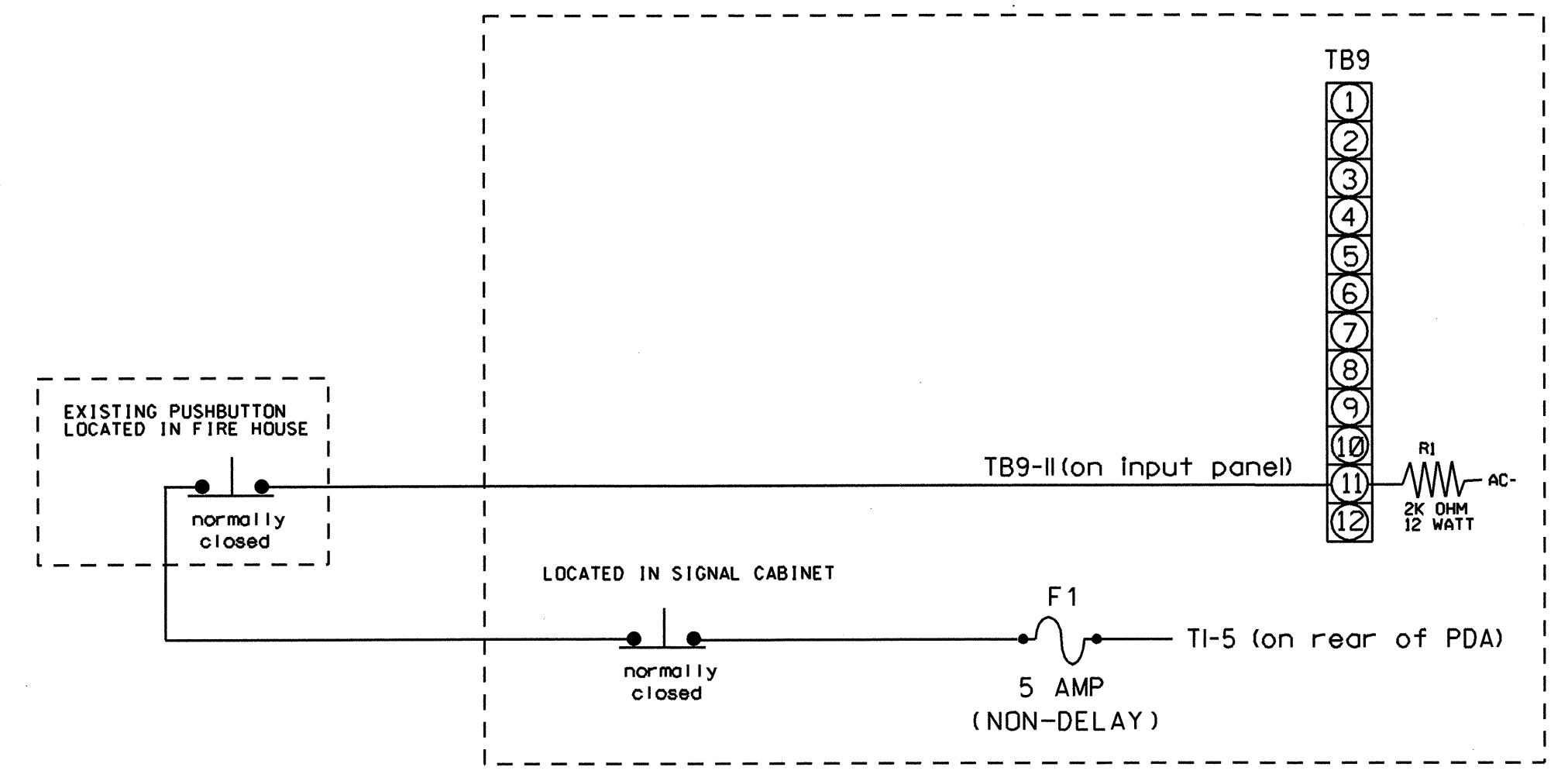


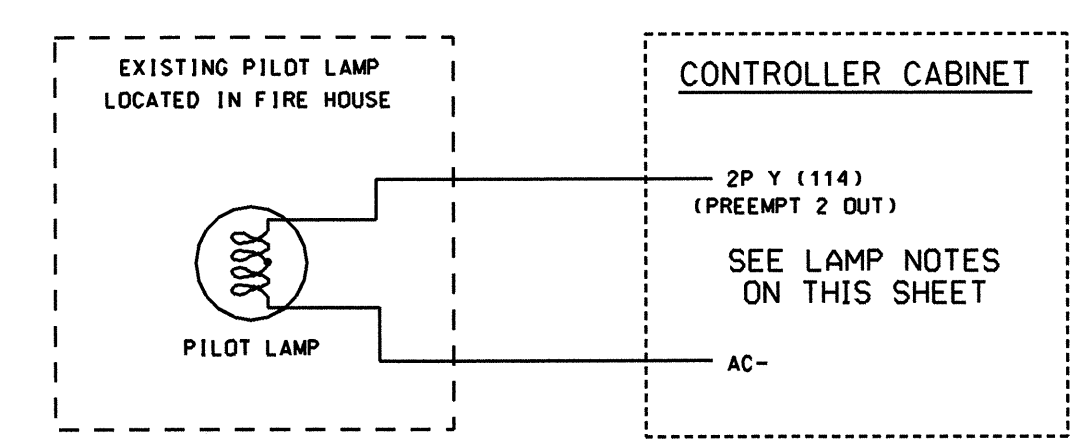
### EMERGENCY VEH. PREEMPTION PUSHBUTTON AND INDICATOR LAMP WIRING DETAIL

(wire push-button and lamp as shown below)



### IMPORTANT!

MAKE SURE AC ISOLATOR INSERTED IN J14L IS SET FOR INVERTED INPUT.



### LAMP NOTES

- IN ORDER FOR PILOT LAMP IN FIRE HOUSE TO FUNCTION, MAKE THE FOLLOWING PROGRAMMING CHANGES TO OUTPUT NO. 33.
- CHANGE THE FUNCTION OF C1 PIN 35 TO BE AN OUTPUT FOR PREEMPT 2. THIS IS ACCOMPLISHED BY THE FOLLOWING:
    - FROM MAIN MENU SELECT 6 (OUTPUTS), THEN SELECT 1 (OUTPUT ASSIGNMENTS).
    - SCROLL TO C1 PIN 35, OUTPUT NO. 33. YOU WILL SEE THAT IT IS NOT ENABLED.
    - SCROLL DOWN TO PREEMPT AND INPUT "YES". YOU WILL THEN BE ASKED FOR A PREEMPT NO. ENTER A "2" HERE.
    - THE OUTPUT IS NOW ASSIGNED FOR PRE-2 OUTPUT.
  - IF TERMINAL 114 HAS A CONFLICT MONITOR WIRE CONNECTED, REMOVE, TAPE AND LABEL WIRE.
  - MAKE SURE LOAD RESISTORS ARE IN PLACE AS SHOWN IN LOAD RESISTOR INSTALLATION DETAIL ON PAGE 1.
  - INSERT LOADSWITCH FOR S2P.

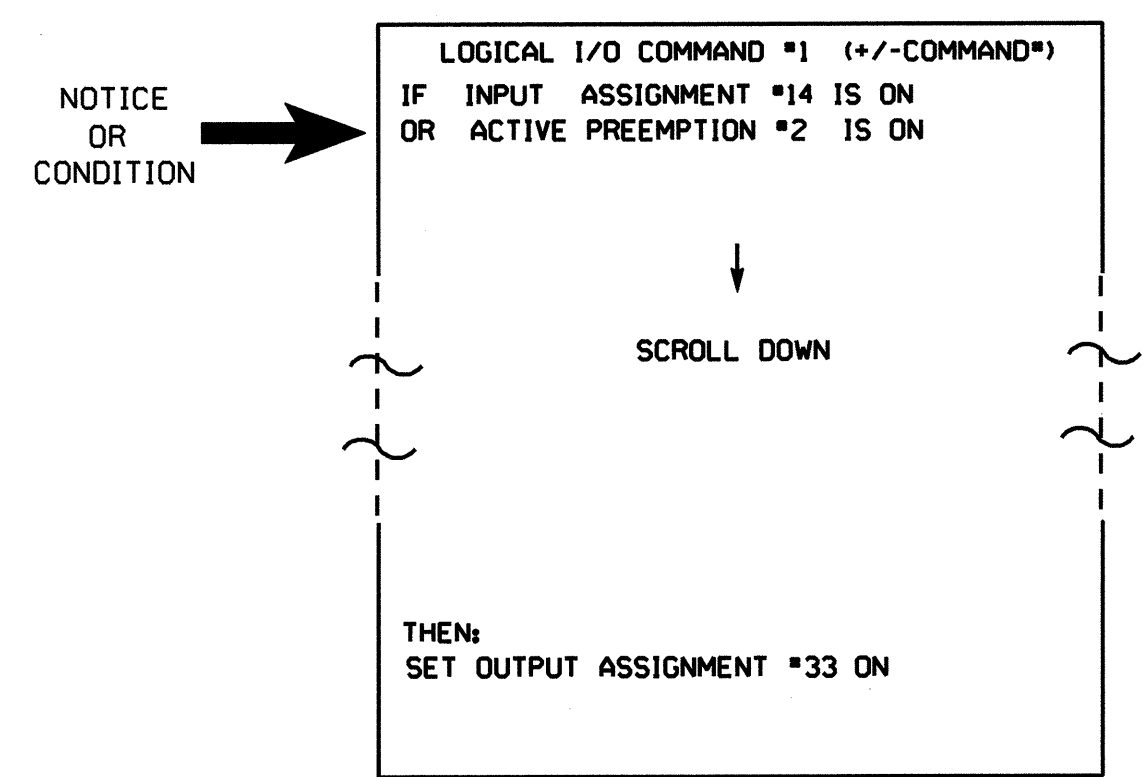
### PROGRAMING LOGICAL I/O PROCESSOR DETAIL

#### NOTE

WHEN PREEMPT DELAY TIMER IS IN USE STEP 1 SHOWN BELOW IS NECESSARY TO ENSURE PILOT LAMP IN FIRE HOUSE WILL ACTIVATE IMMEDIATELY AFTER PUSH BUTTON IS DEPRESSED :

#### STEP 1

FROM MAIN MENU: ENTER 6 (OUTPUTS), THEN SELECT 3 (LOGICAL I/O PROCESSOR).

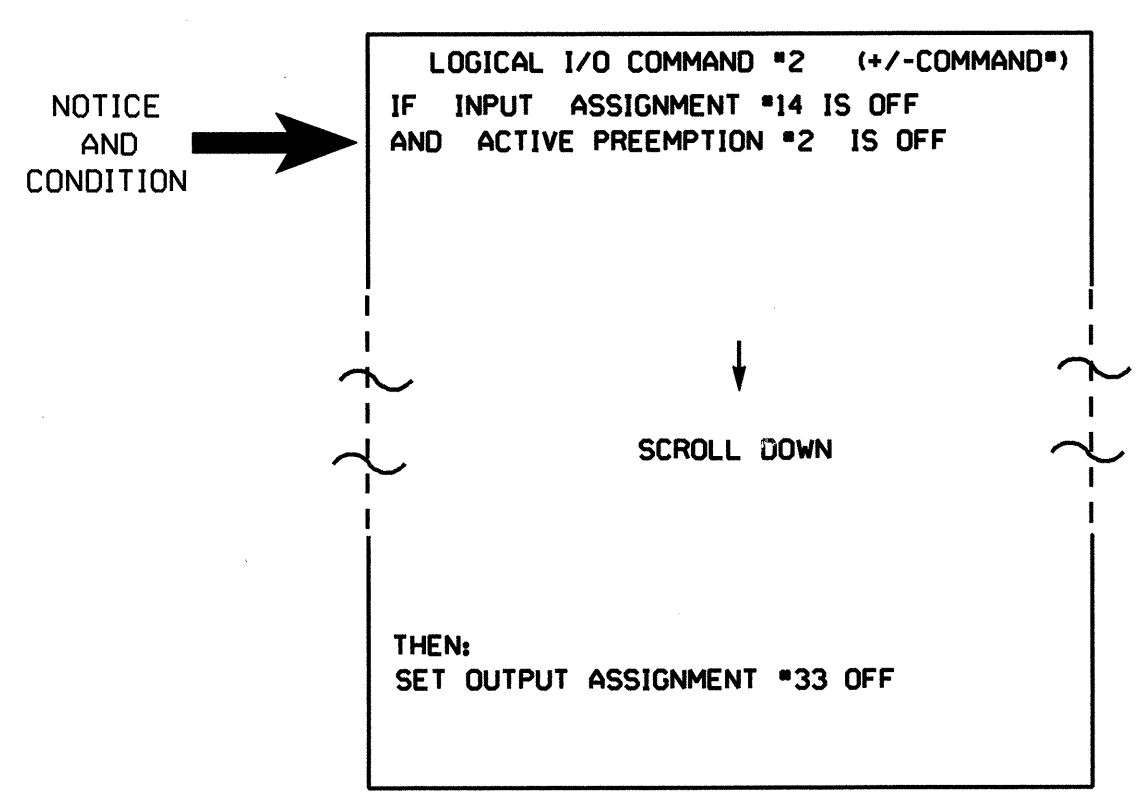


#### STEP 2

#### NOTE

IN ORDER FOR PILOT LAMP IN FIRE HOUSE TO DEACTIVATE IMMEDIATELY AFTER ENDING PREEMPTION, PROGRAM THE FOLLOWING:

TOGGLE THE + BUTTON ONCE TO ACCESS LOGICAL I/O COMMAND \*2.



#### STEP 3

FROM MAIN MENU PRESS '2' (PHASE CONTROL), THEN '1' (PHASE CONTROL FUNCTIONS). SCROLL TO THE BOTTOM OF THE MENU AND ENABLE LOGICAL PROCESSOR (ACT LOGIC 1-16) BY FLAGGING \*1 AND \*2.

END OF PROGRAM.

### EMERGENCY VEHICLE PREEMPTION PROGRAMMING DETAIL

(program controller as shown below)

FROM MAIN MENU PRESS 'A' (PREEMPTION), THEN '1' (STANDARD PREEMPTIONS). PRESS THE "NEXT" KEY TO ADVANCE TO PREEMPT 2.

PREEMPTION #2	INTERVAL/TIMING	SETTINGS (NEXT:1-10)	CLEAR/DWELL PHASES
1	255 0.0 0.0	X	12345678910111213141516
2	0 0.0 0.0		
3	0 0.0 0.0		
4	0 0.0 0.0		
5	0 0.0 0.0		

EXIT CALLS	OPTIONS
PRIORITY (Y/N TO SELECT) .....	MED
DELAY TIMER (0-255 SEC) .....	*
MIN GREEN BEFORE PRE (0= DEFAULT)...	1
PED CLEAR BEFORE PRE (0= DEFAULT)...	0
YELLOW CLEAR BEFORE PRE (0= DEFAULT)...	4.7
RED CLEAR BEFORE PRE (0= DEFAULT)...	2.0
DWELL MIN TIMER (0-255 SEC) .....	*
DWELL MAX TIMER (0=OFF,1-255MIN) ...	0
DWELL HOLD-OVER TIMER (0-255) .....	0
LATCH CALL? .....	Y
LINK TO NEXT PREEMPT? .....	N
ENABLE BACKUP PROTECTION? .....	N
HOLD CLEAR 1 PHASES DURING DELAY? ...	Y
FAST GREEN FLASH DWELL PHASES? .....	N
PED CLEARANCE THROUGH YELLOW? .....	N
INHIBIT OVERLAP GREEN EXTENSION? ...	N
SERVICE DURING SOFTWARE FLASH? .....	Y
REST IN RED DURING DWELL INTERVAL? ..	N
FLASH DWELL INTERVAL? .....	N
ALLOW PEDS IN DWELL INTERVAL? .....	N
RE-TIME DWELL INTERVAL? .....	Y
OVERLAPS:	ABCDEFGHIJKLMNOP
DWELL INT FLASH YELLOW	
OMIT OVERLAPS:	

\* DENOTES TIMING TO BE DETERMINED IN FIELD.

THIS ELECTRICAL DETAIL IS FOR THE SIGNAL DESIGN: 13-0284T1  
 DESIGNED: 04/10/2003  
 SEALED: 02/26/2004  
 REVISED: TBD

TEMPORARY SIGNAL 1 - PHASE I - TCP 13  
 PAGE 2 OF 2

PLANS PREPARED BY :  
**RUMMEL KLEPPER & KAHL, LLP**  
*consulting engineers*  
 5800 FARINGDON PLACE SUITE 105  
 RALEIGH, NORTH CAROLINA 27609-3960  
 FOR  
**DIVISION OF HIGHWAYS**

ELECTRICAL AND PROGRAMMING  
 DETAILS FOR:  
 Prepared for the Offices of:  
  
 122 N. McDowell St., Raleigh, NC 27603

US 25 (HENDERSONVILLE ROAD)  
 AT  
 NC 146 (LONG SHOALS ROAD)  
 DIVISION 13 BUNCOMBE COUNTY ASHEVILLE  
 PLAN DATE: JULY 2003 REVIEWED BY: J O DEATON  
 PREPARED BY: M W YALCH REVIEWED BY:  
 REVISIONS INIT. DATE

SEAL  
 NORTH CAROLINA  
 PROFESSIONAL  
 SEAL  
 07438  
 ENGINEER  
 JAMES O. DEATON  
 SIGNATURE DATE  
 SIG. INVENTORY NO. 13-0284T1