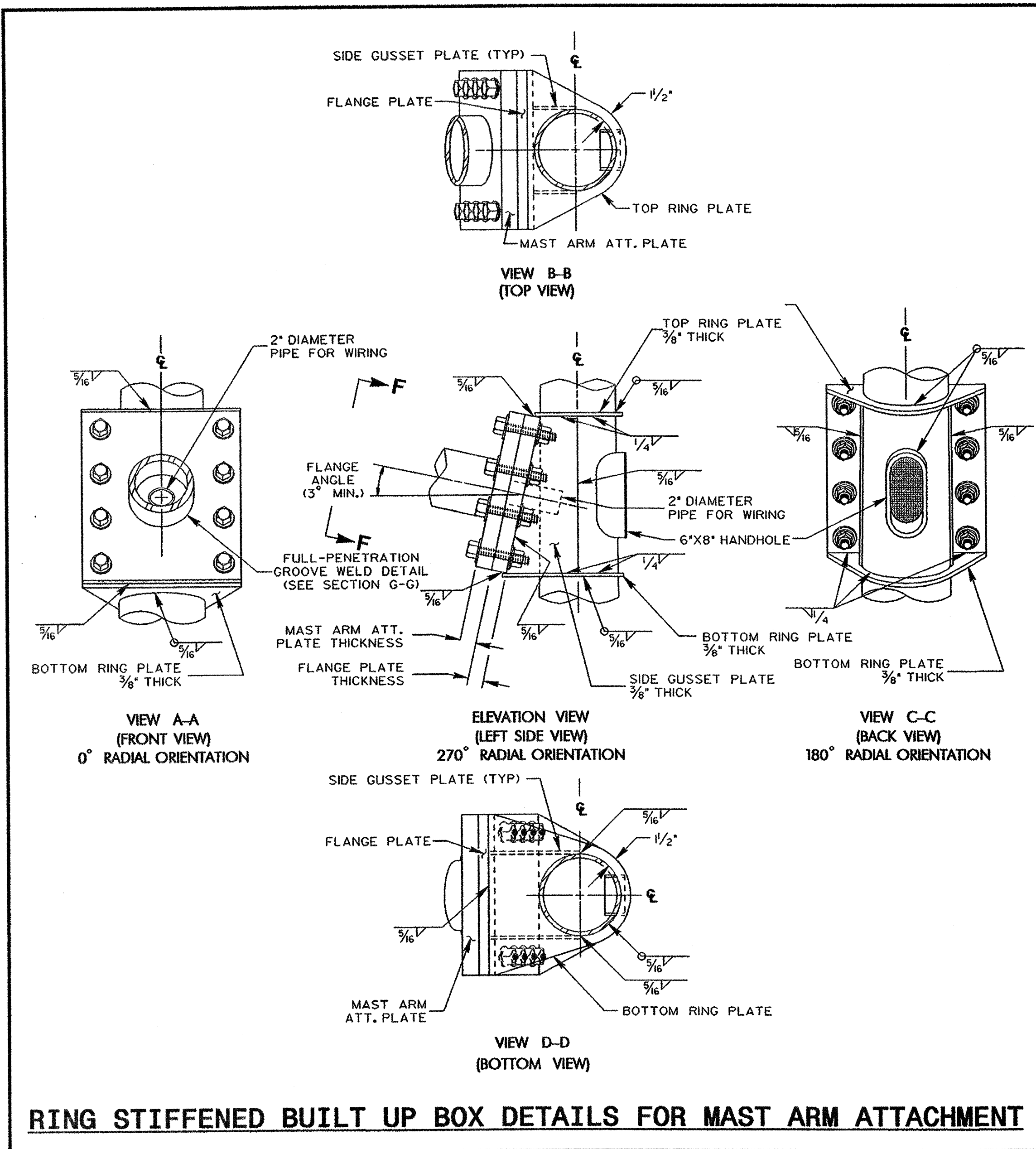
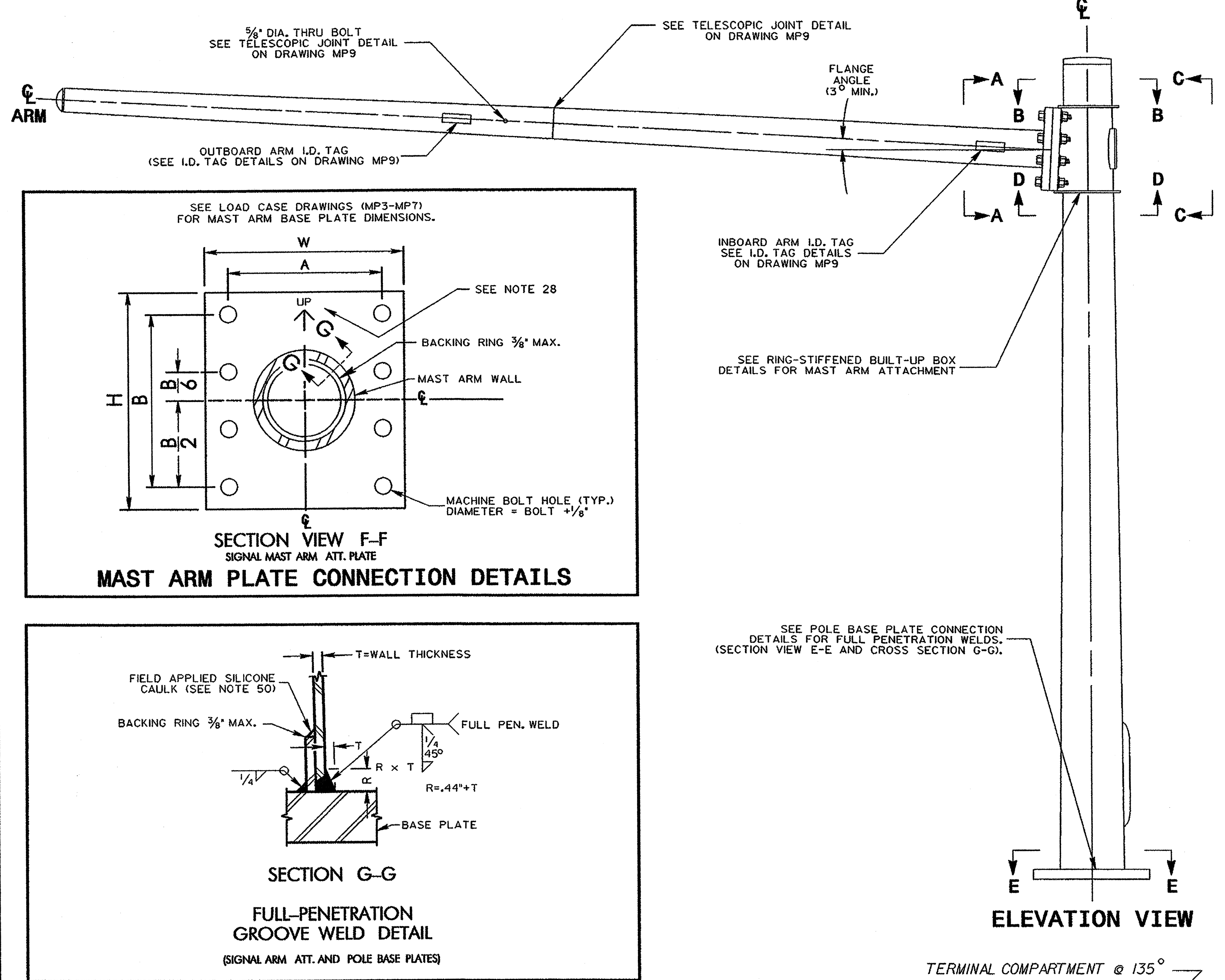


POLE AND MAST ARM FABRICATION DETAILS

PROJECT REFERENCE NO. R-2813C SHEET NO. Sig.54
dwg.MP8



RING STIFFENED BUILT UP BOX DETAILS FOR MAST ARM ATTACHMENT



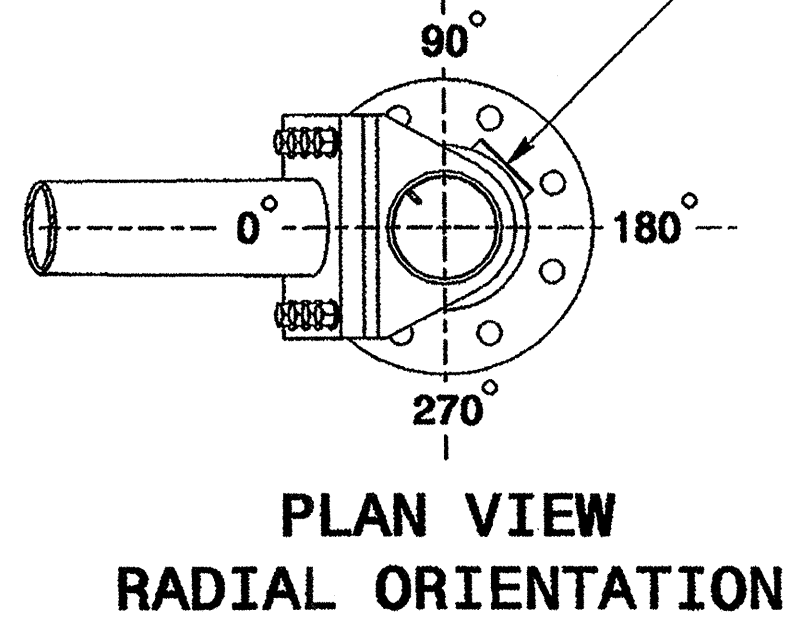
MAST ARM PLATE CONNECTION DETAILS

**SECTION G-G
FULL-PENETRATION
GROOVE WELD DETAIL**

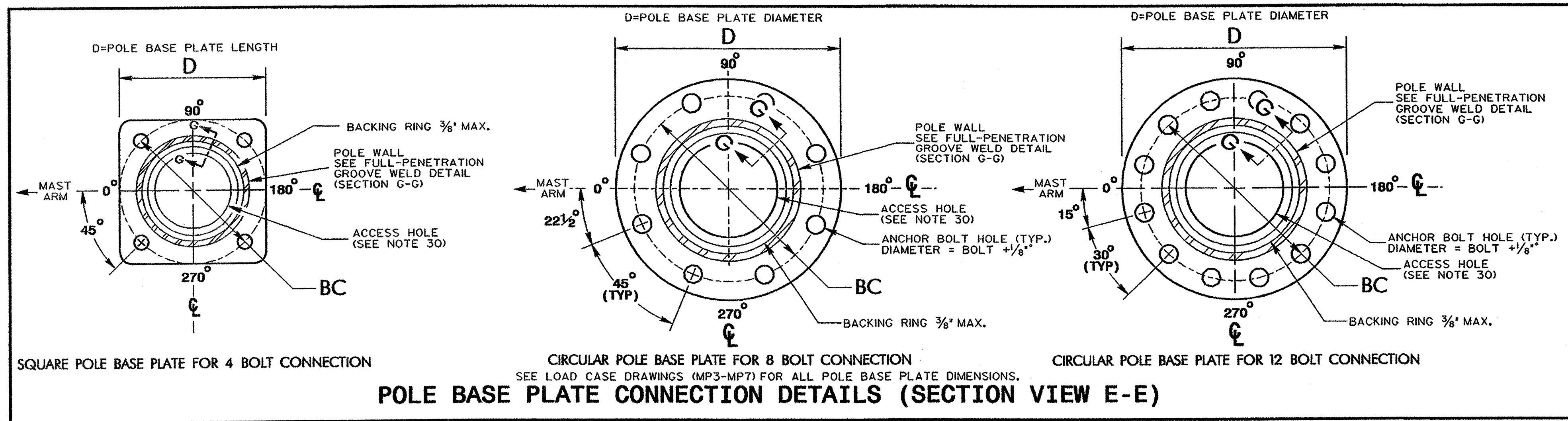
(SIGNAL ARM ATT. AND POLE BASE PLATES)

ELEVATION VIEW

TERMINAL COMPARTMENT @ 135°



**PLAN VIEW
RADIAL ORIENTATION**



POLE BASE PLATE CONNECTION DETAILS (SECTION VIEW E-E)

METAL POLES WITH MAST ARMS

	METAL POLE AND MAST ARM FABRICATION DETAILS	
	PLAN DATE: APRIL 2003 PREPARED BY: C.F. ANDREWS	REVIEWED BY: D.C. SARKAR REVIEWED BY: R.E. MULLINAX
SCALE: NONE	REVISIONS:	INIT. DATE
SIGNATURE: <i>D. Sarkar</i>		DATE: 6.3.03
SIG. INVENTORY NO.		

03-JUN-2003 09:15:11 MP8.dwg res-unit:mp8.dwg 2003 mast_arm.mpd.dwg