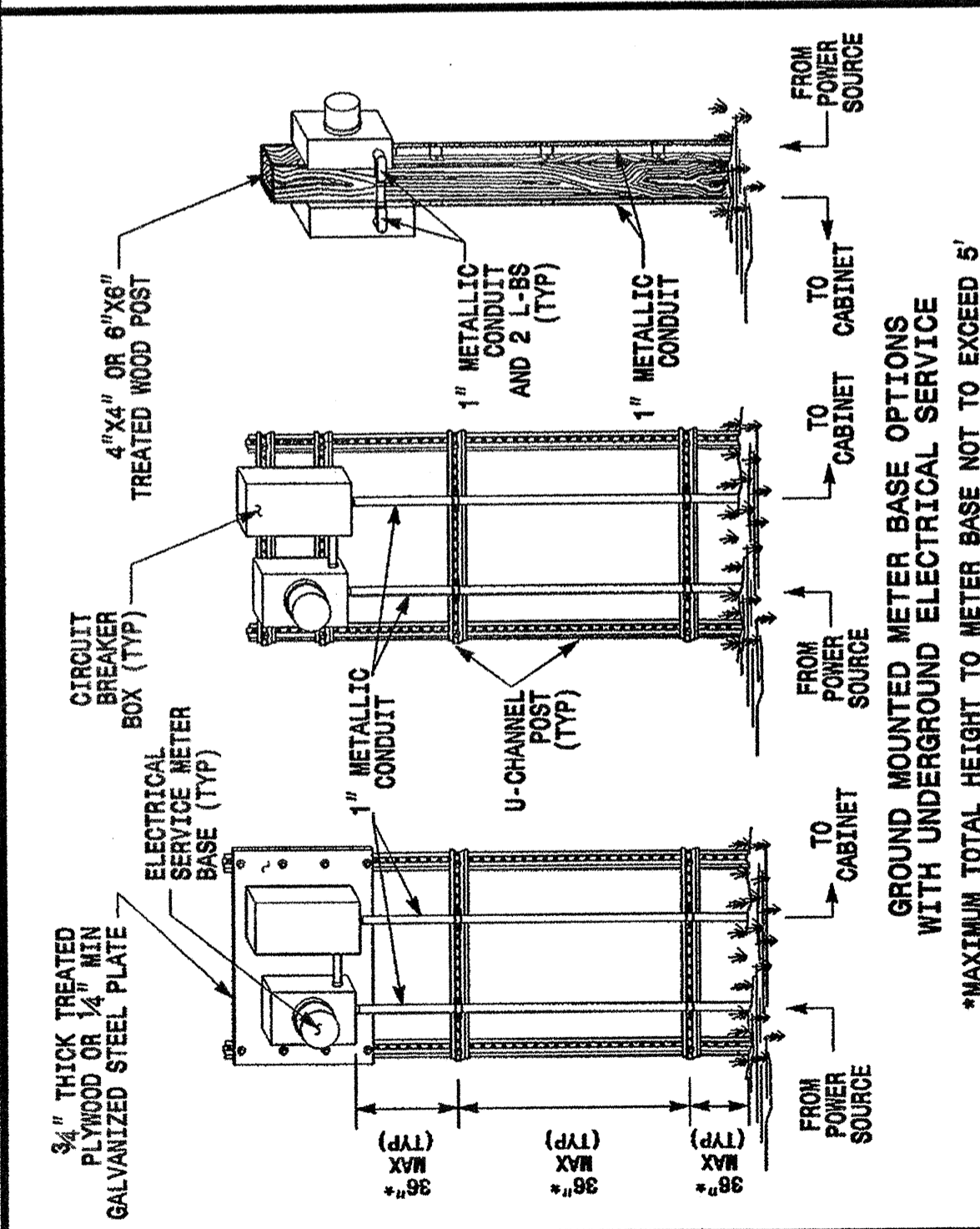
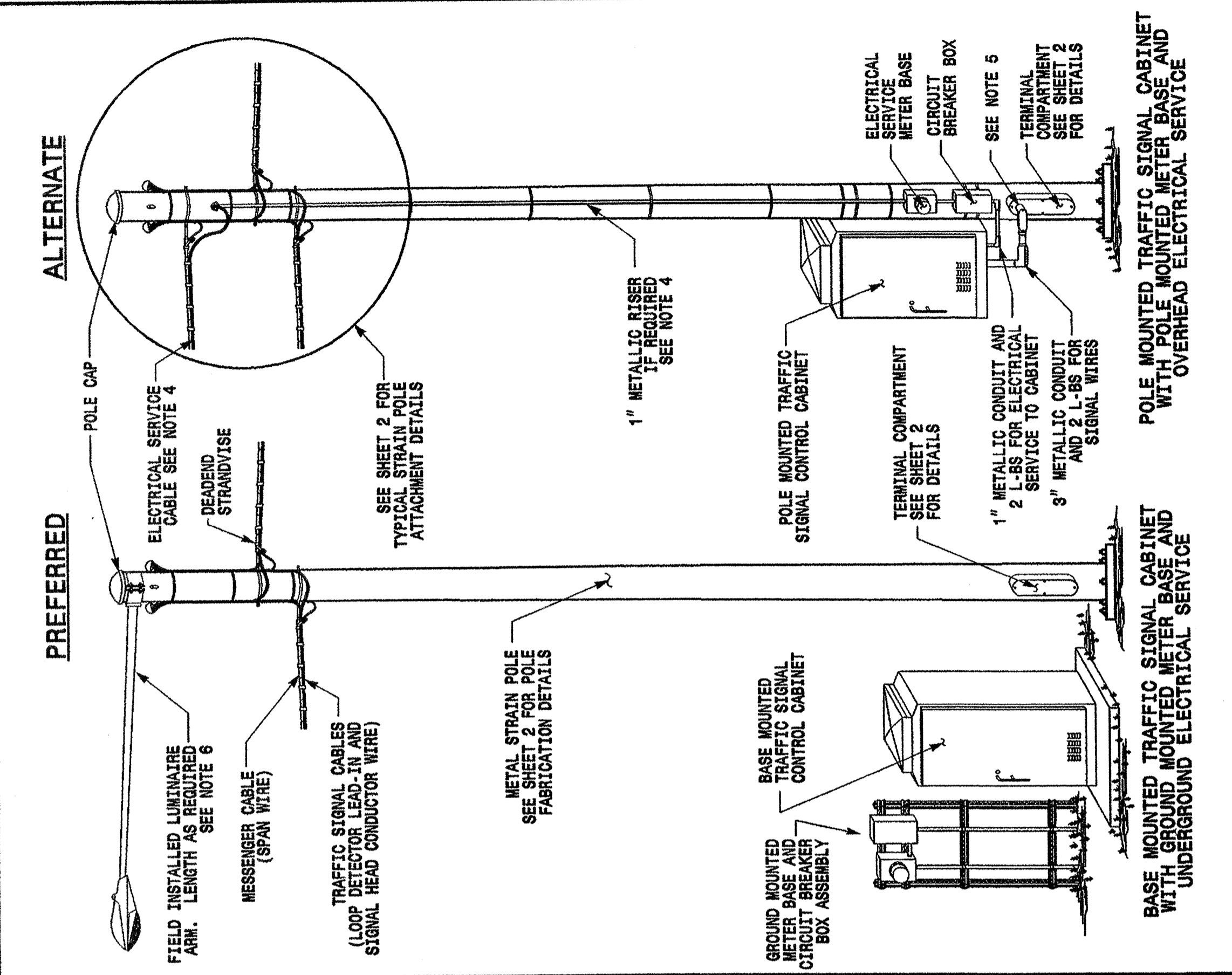


STATE OF NORTH CAROLINA DEPT. OF TRANSPORTATION DIVISION OF HIGHWAYS RALEIGH, N.C.

ENGLISH STANDARD DRAWING FOR METAL POLES ELECTRICAL SERVICE AND SIGNAL CABINET MOUNTING OPTIONS

SHEET 1 OF 3 1740.01



**GENERAL NOTES**

- WHEN TRAFFIC SIGNALS ARE INSTALLED USING METAL SIGNAL SUPPORTS:
  - BASE MOUNTED CABINETS ARE THE PREFERRED CABINET OPTION.
  - ROUTE POWER SOURCE UNDERGROUND AND USE GROUND MOUNTING OPTIONS SHOWN ABOVE TO INSTALL METER BASE AND CIRCUIT BREAKER BOX IF POSSIBLE.
- LOCATE THE METER BASE ASSEMBLY NEAR THE SIGNAL CABINET IN A MANNER THAT WILL ALLOW EASY ACCESS TO THE CIRCUIT BREAKER BOX.
- INSTALL METER BASE ASSEMBLIES AS SHOWN ABOVE. ENSURE 1" METALLIC CONDUIT AND 2 L-B'S ARE SECURED TO THE METER BASE ASSEMBLY AND GROUND TO MINIMIZE DAMAGE POTENTIAL REFER TO ROADWAY STANDARD DRAWING 1751.02 FOR ELECTRICAL SERVICE DETAILS.
- INSTALL ELECTRICAL SERVICE ENTRANCE CONDUCTOR AS SHOWN WHEN UNDERGROUND SOURCE IS NOT AN OPTION. METER BASE AND CIRCUIT BREAKER BOX MAY BE INSTALLED ON THE POLE WHEN POLE MOUNTED CABINETS ARE REQUIRED FOR THE INSTALLATION. SEE SHEET 2 FOR ADDITIONAL INSTALLATION DETAILS.
- FOR POLE MOUNTED CABINETS USE A FACTORY DRILLED HOLE IN THE TERMINAL COMPARTMENT TO PROVIDE ACCESS FOR SIGNAL WIRE. VERIFY THE HOLES FROM THE CABINET. FIELD DRILLED HOLES ARE ACCEPTABLE ONLY IF APPROVED BY THE ENGINEER.
- SEE ROADWAY STANDARD DRAWING 1408.01 (LIGHT STANDARD LUMINAIRES) FOR LUMINAIRE INSTALLATIONS.

\*MAXIMUM TOTAL HEIGHT TO METER BASE NOT TO EXCEED 5'

STATE OF NORTH CAROLINA DEPT. OF TRANSPORTATION DIVISION OF HIGHWAYS RALEIGH, N.C.

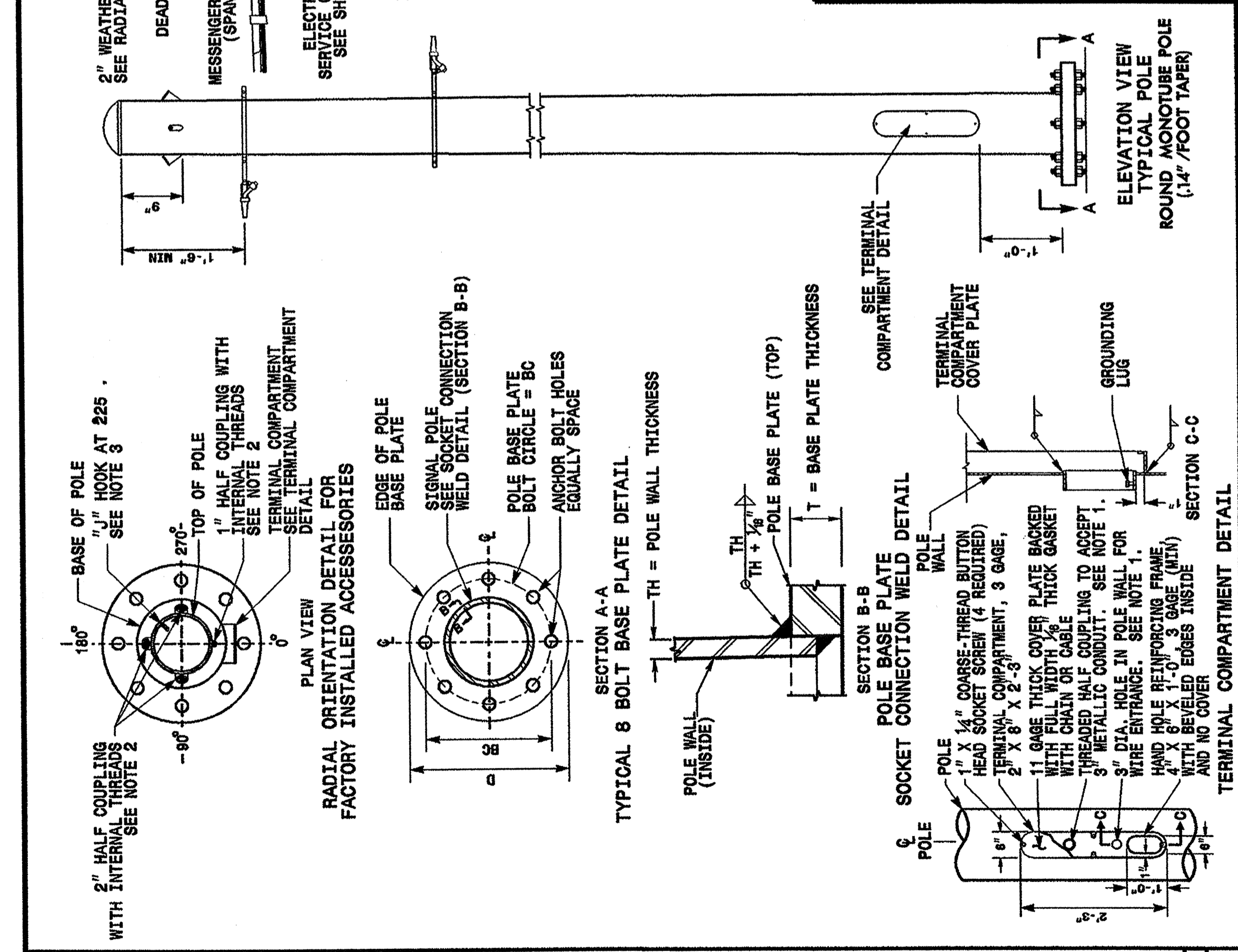
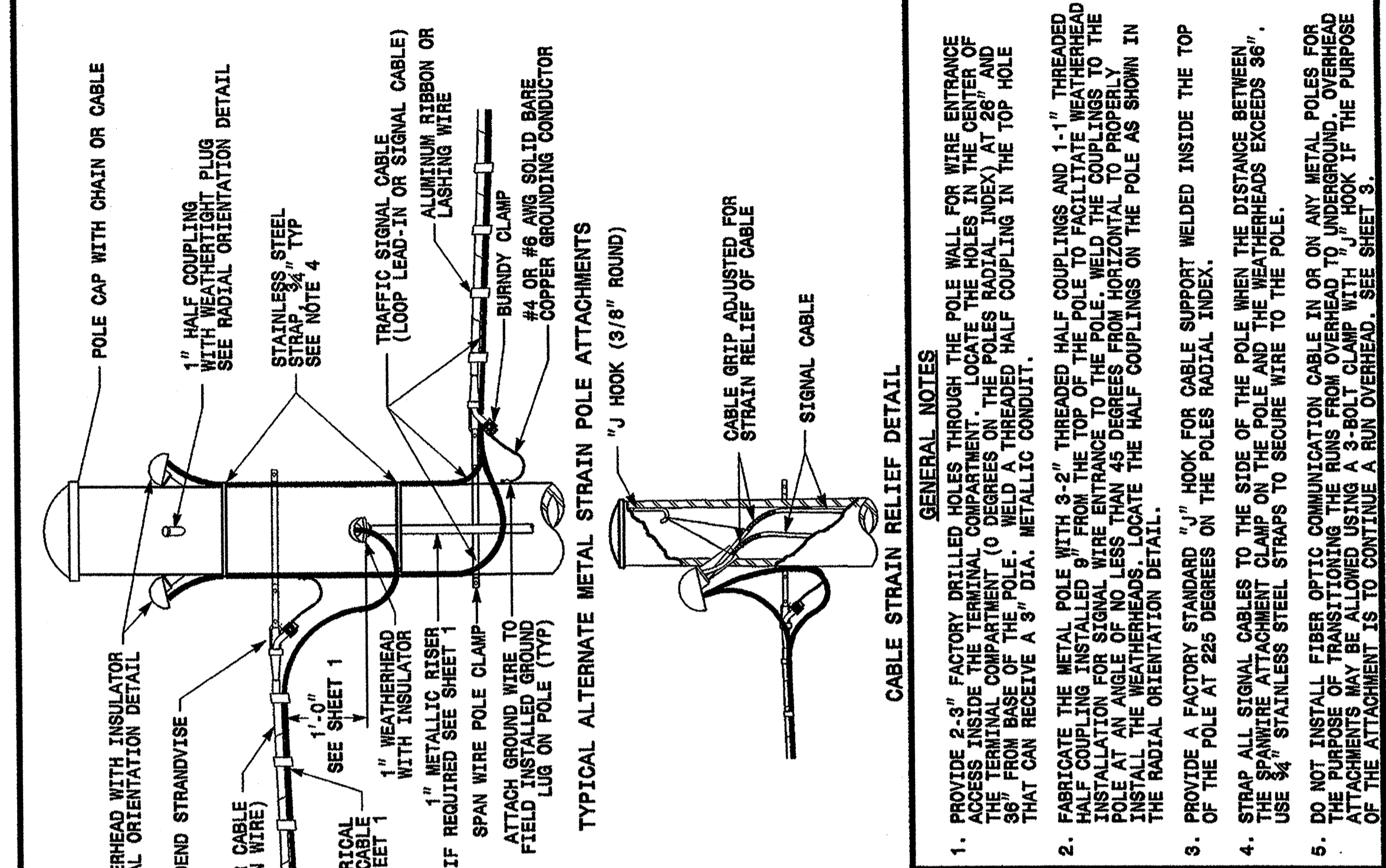
ENGLISH STANDARD DRAWING FOR METAL POLES ELECTRICAL SERVICE AND SIGNAL CABINET MOUNTING OPTIONS

SHEET 1 OF 3 1740.01

STATE OF NORTH CAROLINA DEPT. OF TRANSPORTATION DIVISION OF HIGHWAYS RALEIGH, N.C.

ENGLISH STANDARD DRAWING FOR METAL POLES FABRICATION AND ATTACHMENT DETAILS

SHEET 2 OF 3 1740.01



STATE OF NORTH CAROLINA DEPT. OF TRANSPORTATION DIVISION OF HIGHWAYS RALEIGH, N.C.

ENGLISH STANDARD DRAWING FOR METAL POLES FABRICATION AND ATTACHMENT DETAILS

SHEET 2 OF 3 1740.01

Structural Engineer: NORTH CAROLINA PROFESSIONAL SEAL 028094, D. Sarker, 9.23.03

Electrical Engineer: NORTH CAROLINA PROFESSIONAL SEAL 16286, Milton J. Lee, 9-24-03

Standard Drawings Traffic Management and Signal Systems Unit 122 N. McDowell St., Raleigh, NC 27603

See Plate for Title

Original: 2002 Standards