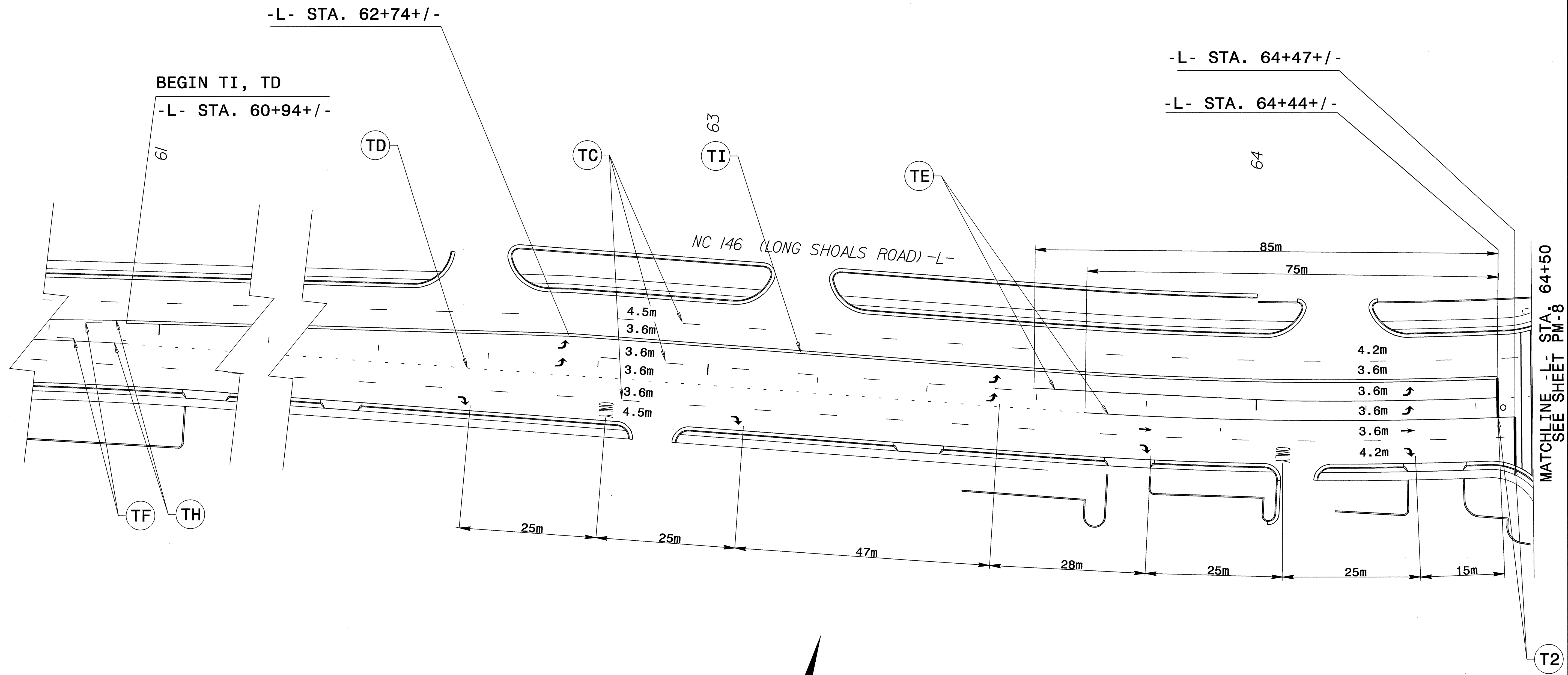




PROJ. REFERENCE NO.	SHEET NO.
R-2813C	PM-7



**SYMBOL LEGEND**

↑	UC
↖	UA
↗	UB
↔	UD
↔	UE
↔	UG
ONLY	UI

**NOTES:**

- 1) PAVEMENT MARKERS SHALL BE PLACED ACCORDING TO RSD 1250.01, 1251.01 AND 1253.01.
- 2) FOR FINAL PAVEMENT MARKING SCHEDULE SEE SHEET PM-1.
- 3) PEDESTRIAN SIDEWALK SHALL BE PLACED ACCORDING TO RSD 1205.07.

APPROVED:	DATE:	<b>FINAL PAVEMENT MARKING</b>	
SCALE: NONE	DATE: NOV 2003		REVISIONS
DWG. BY: MRM	DESIGN BY: MRM		
REVIEWED BY: JWG			

08-MAR-2004 15:46  
 M:\TCP\R2813C\_TCP-pm-Final.dgn  
 mmahr\lquez AT TETC95141