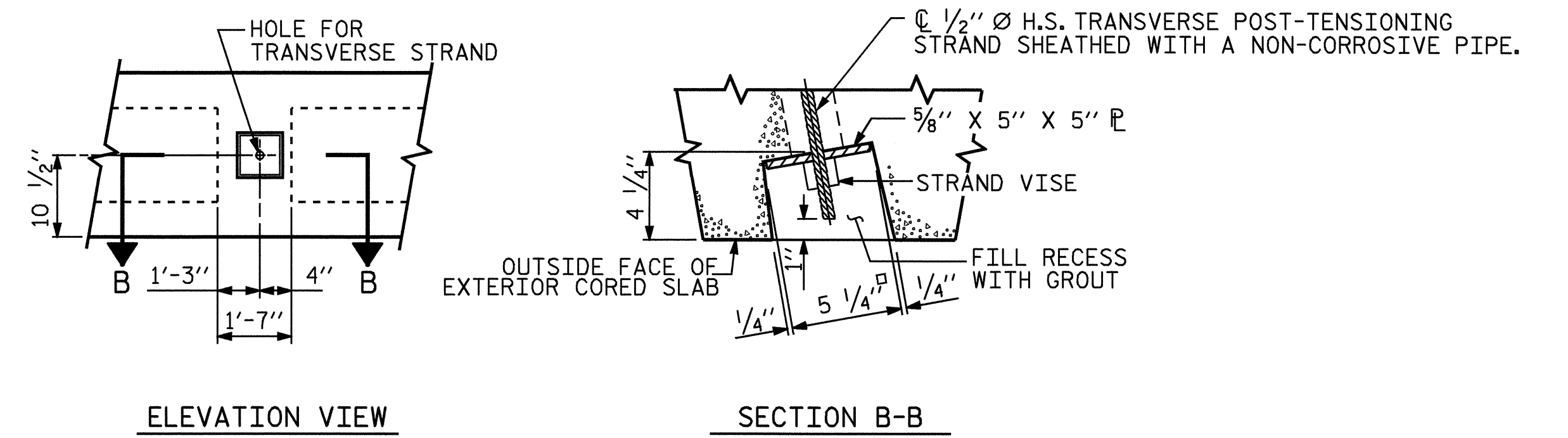
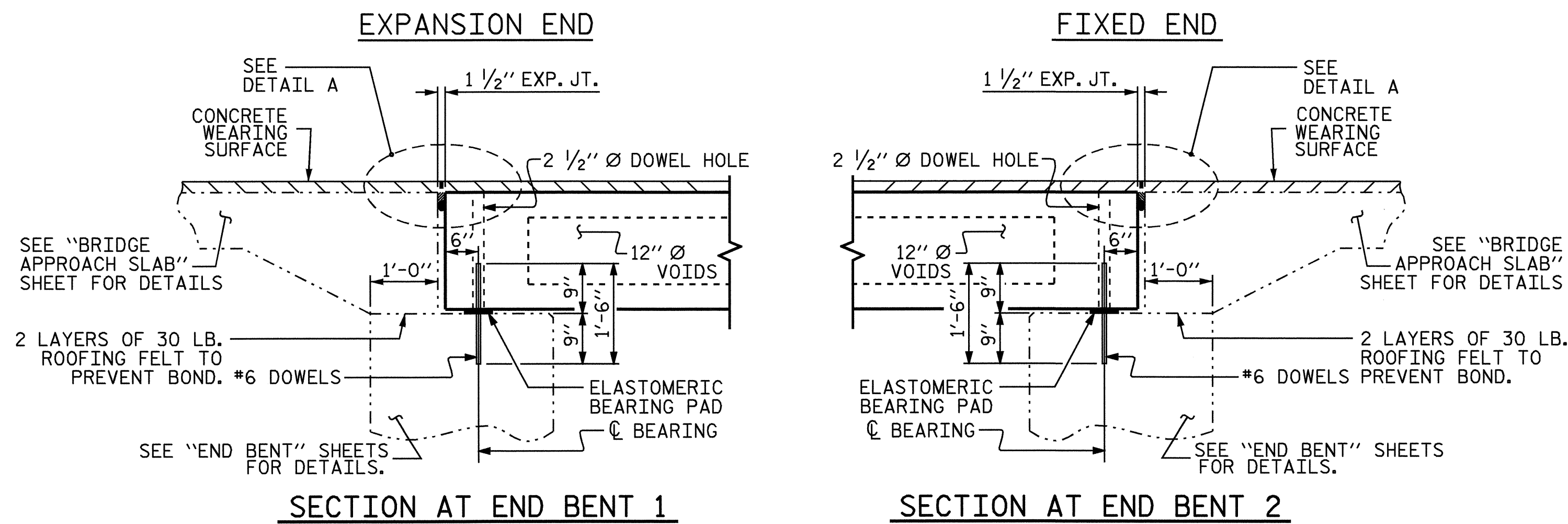


TYPICAL SECTION

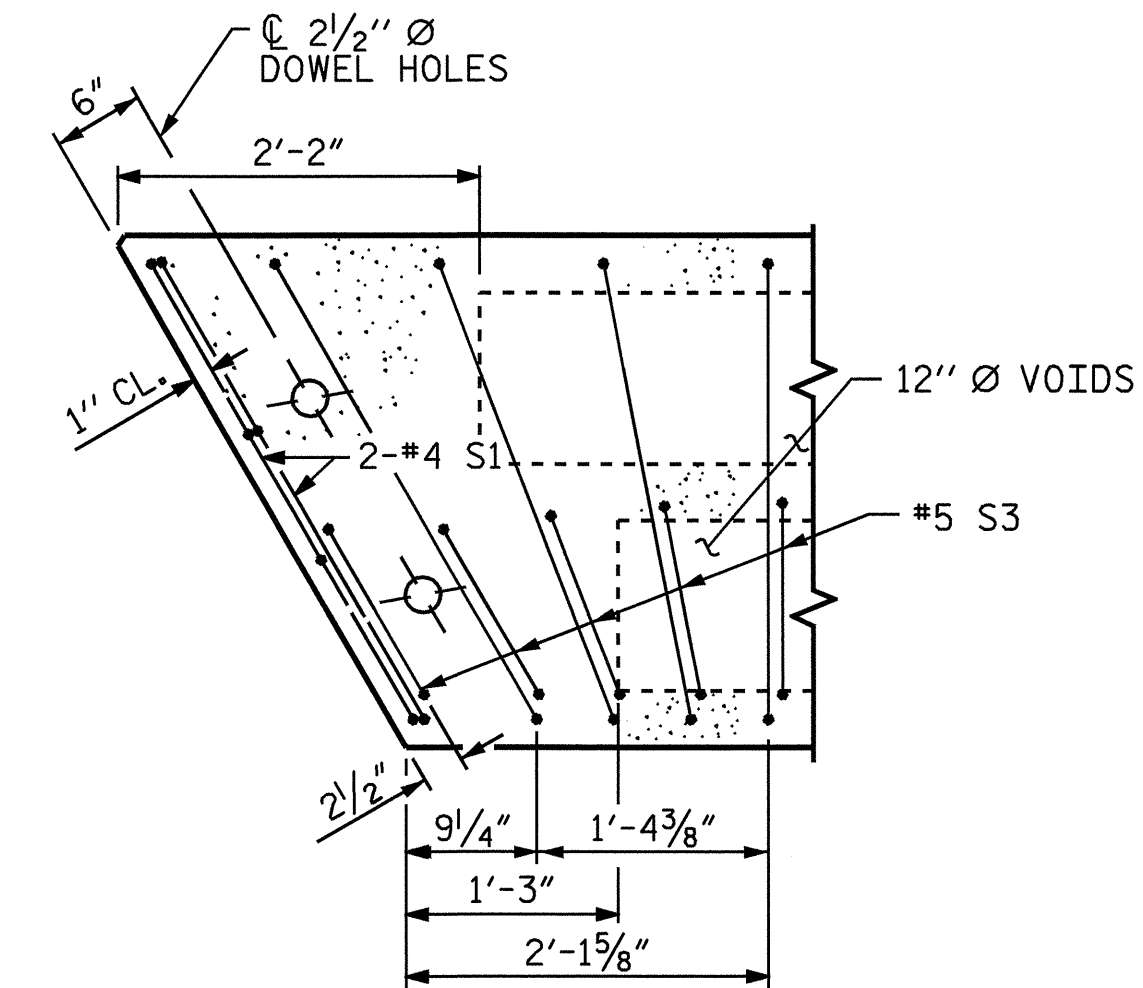


GRouted RECESS AT END OF POST-TENSIONED STRAND CORED SLABS



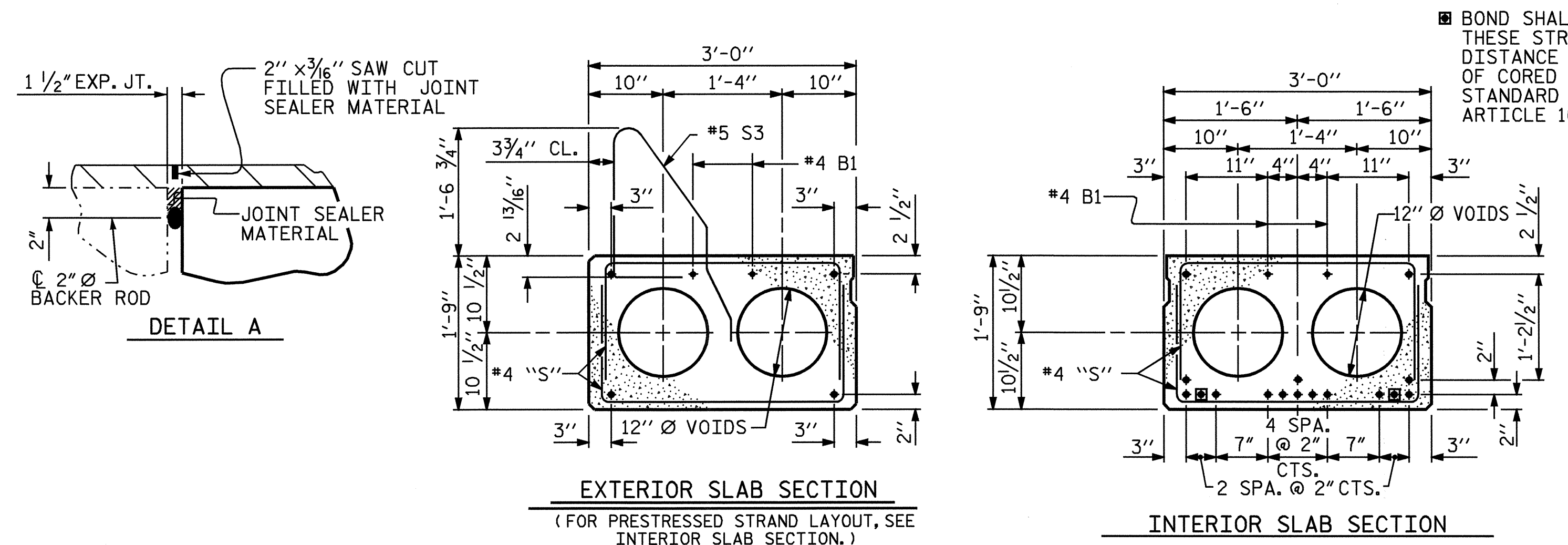
SECTION AT END BENT 1

SECTION AT END BENT 2



PART PLAN-EXTERIOR SECTION

NOTE: EXTERIOR SECTION SHOWN-INTERIOR SECTION SIMILAR EXCEPT OMIT S3 BARS.

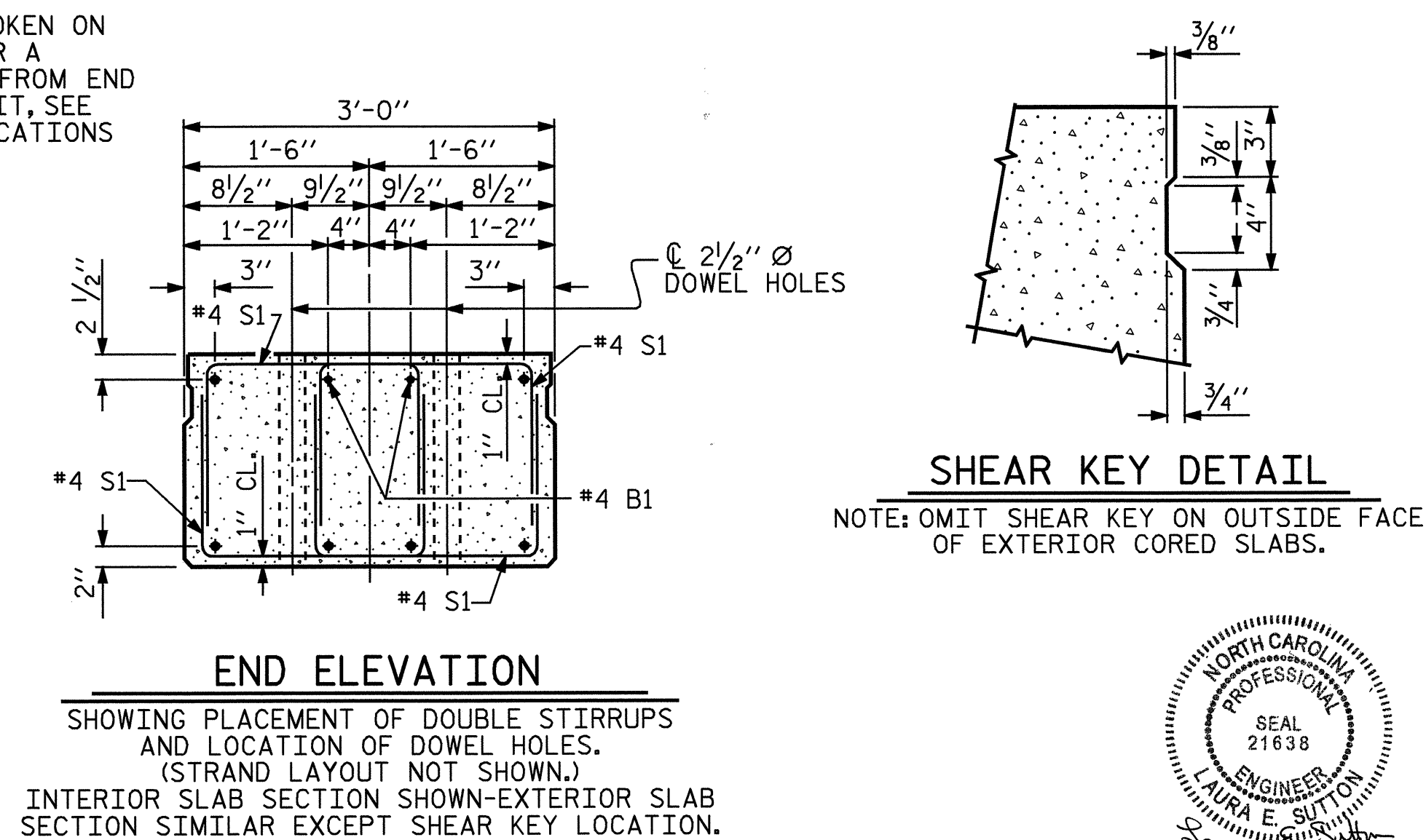


EXTERIOR SLAB SECTION
(FOR PRESTRESSED STRAND LAYOUT, SEE INTERIOR SLAB SECTION.)

INTERIOR SLAB SECTION

1/2" Ø LOW RELAXATION STRAND LAYOUT

BOND SHALL BE BROKEN ON THESE STRANDS FOR A DISTANCE OF 4'-0" FROM END OF CORED SLAB UNIT, SEE STANDARD SPECIFICATIONS ARTICLE 1078-7.



END ELEVATION

SHOWING PLACEMENT OF DOUBLE STIRRUPS AND LOCATION OF DOWEL HOLES. (STRAND LAYOUT NOT SHOWN.) INTERIOR SLAB SECTION SHOWN-EXTERIOR SLAB SECTION SIMILAR EXCEPT SHEAR KEY LOCATION.

SHEAR KEY DETAIL
NOTE: OMIT SHEAR KEY ON OUTSIDE FACE OF EXTERIOR CORED SLABS.

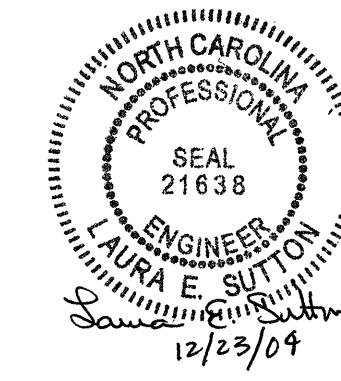
PROJECT NO. B-3808
AVERY COUNTY
STATION: 17+13.50 -L-

SHEET 1 OF 4

STATE OF NORTH CAROLINA
DEPARTMENT OF TRANSPORTATION
RALEIGH

STANDARD
3'-0" X 1'-9"
PRESTRESSED CONCRETE
CORED SLAB UNIT

REVISIONS						SHEET NO.
NO.	BY:	DATE:	NO.	BY:	DATE:	S-4
1			3			TOTAL SHEETS
2			4			17



23-DEC-2004 10:15 23-DEC-2004 10:15 23-DEC-2004 10:15 23-DEC-2004 10:15 23-DEC-2004 10:15

ASSEMBLED BY: J. L. WALTON DATE: 11/10/03
CHECKED BY: B.N. BARODAWALA DATE: 4/5/04
DRAWN BY: WJH 4/89
CHECKED BY: FCJ 5/89
REV. 8/16/99 RWW/LES
REV. 10/17/00 RWW/LES
REV. 7/10/01R RWW/LES