

NOTES

THE CONTRACTOR SHALL PROVIDE FOR INSTALLATION OF THE 4"Ø DRAIN PIPE THROUGH THE WING WALL AS REQUIRED FOR REINFORCED BRIDGE APPROACH FILLS, SEE THE ROADWAY PLANS. REINFORCING STEEL IN THE WING WALL MAY BE SHIFTED AS NECESSARY TO CLEAR THE DRAIN PIPE.

STIRRUPS IN CAP MAY BE SHIFTED AS NECESSARY TO CLEAR DOWELS.

HOOKS ON "M" BARS MAY BE TURNED AS NECESSARY FOR PLACING REINFORCING STEEL.

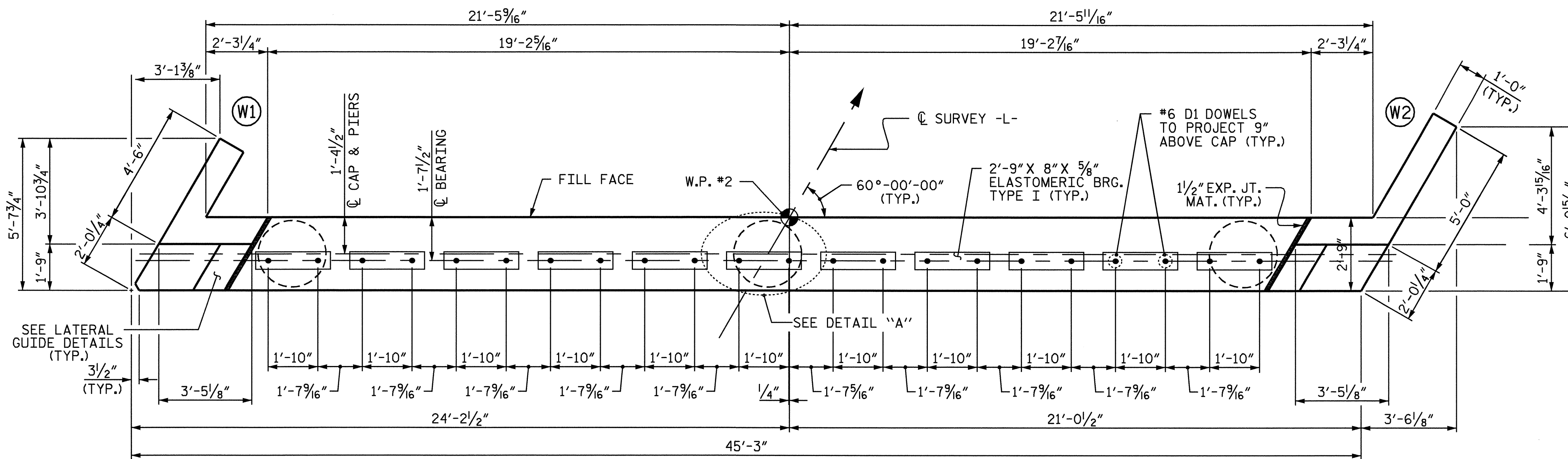
ALL STEEL IN THE DRILLED PIERS IS INCLUDED IN THE PAY ITEMS FOR "REINFORCING STEEL" AND "SPIRAL COLUMN REINFORCING STEEL".

THE CONTRACTOR'S ATTENTION IS CALLED TO THE FACT THAT THE LONGITUDINAL REINFORCEMENT FOR THE DRILLED PIERS IS DETAILED WITH 3 FEET EXTRA LENGTH.

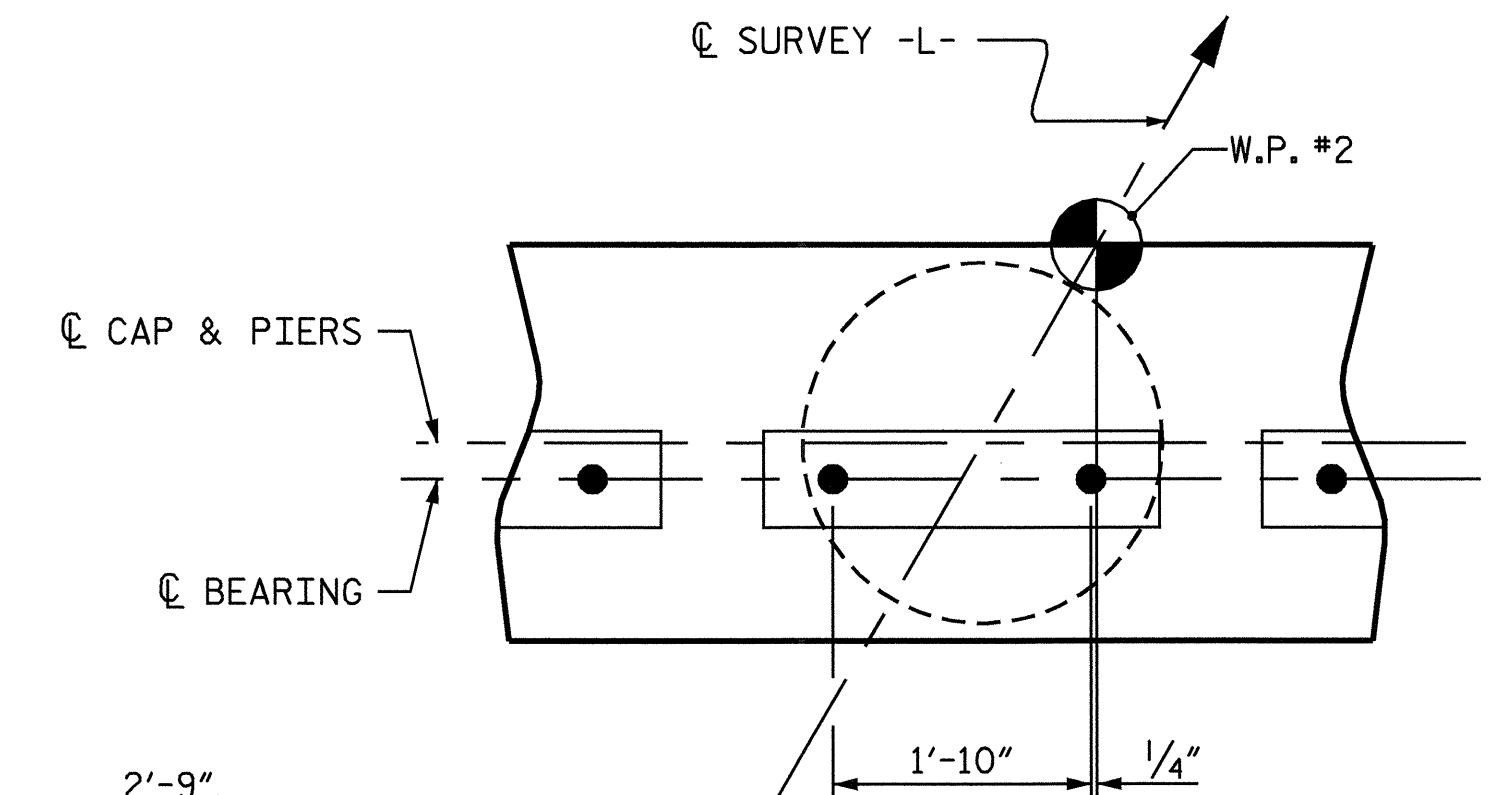
THE LATERAL GUIDE AT ENDS OF CAP ARE NOT TO BE POURED UNTIL AFTER THE CORED SLAB UNITS ARE IN PLACE.

FOR DRILLED PIERS, SEE SPECIAL PROVISIONS.

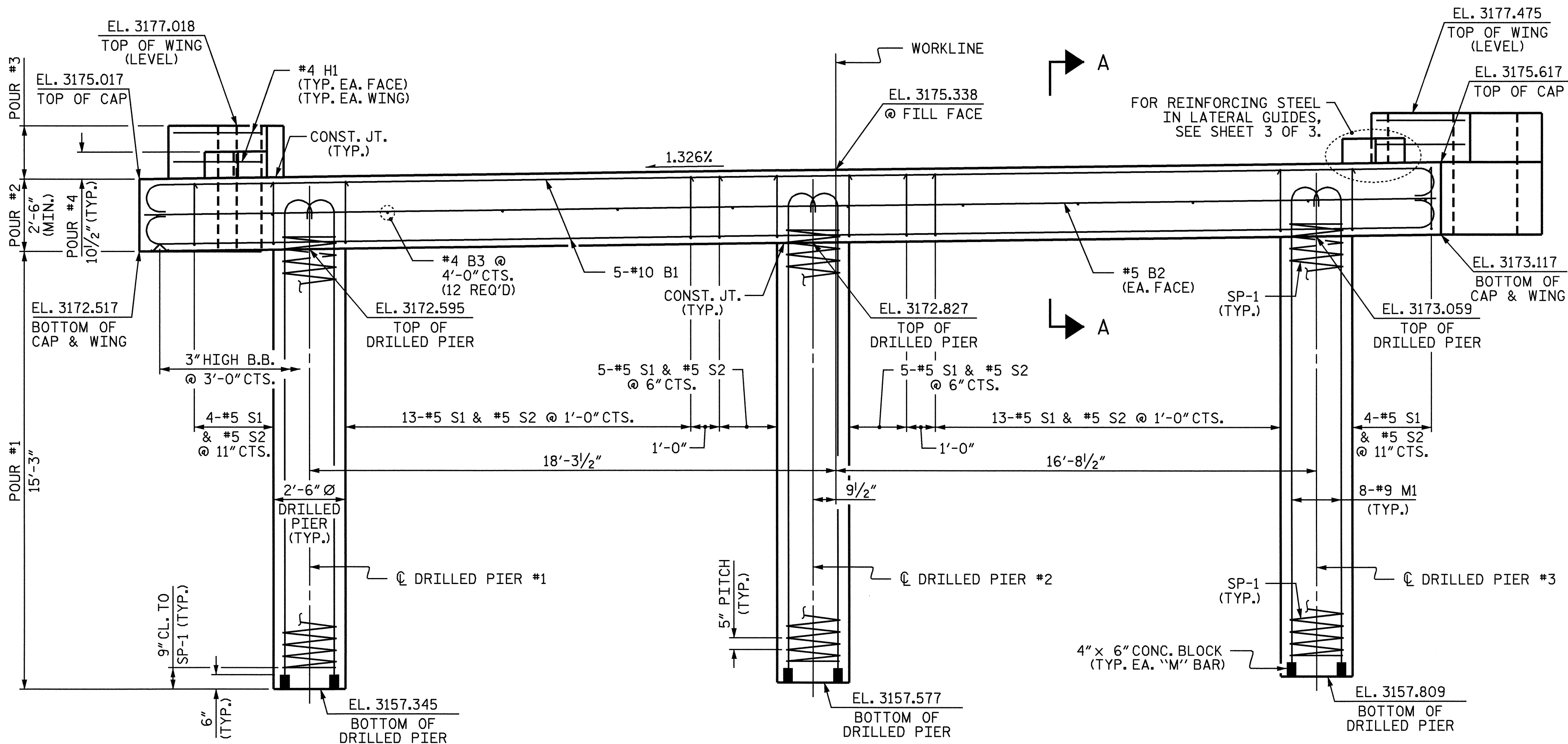
FOR PERMANENT STEEL CASING, SEE SPECIAL PROVISIONS FOR DRILLED PIERS.



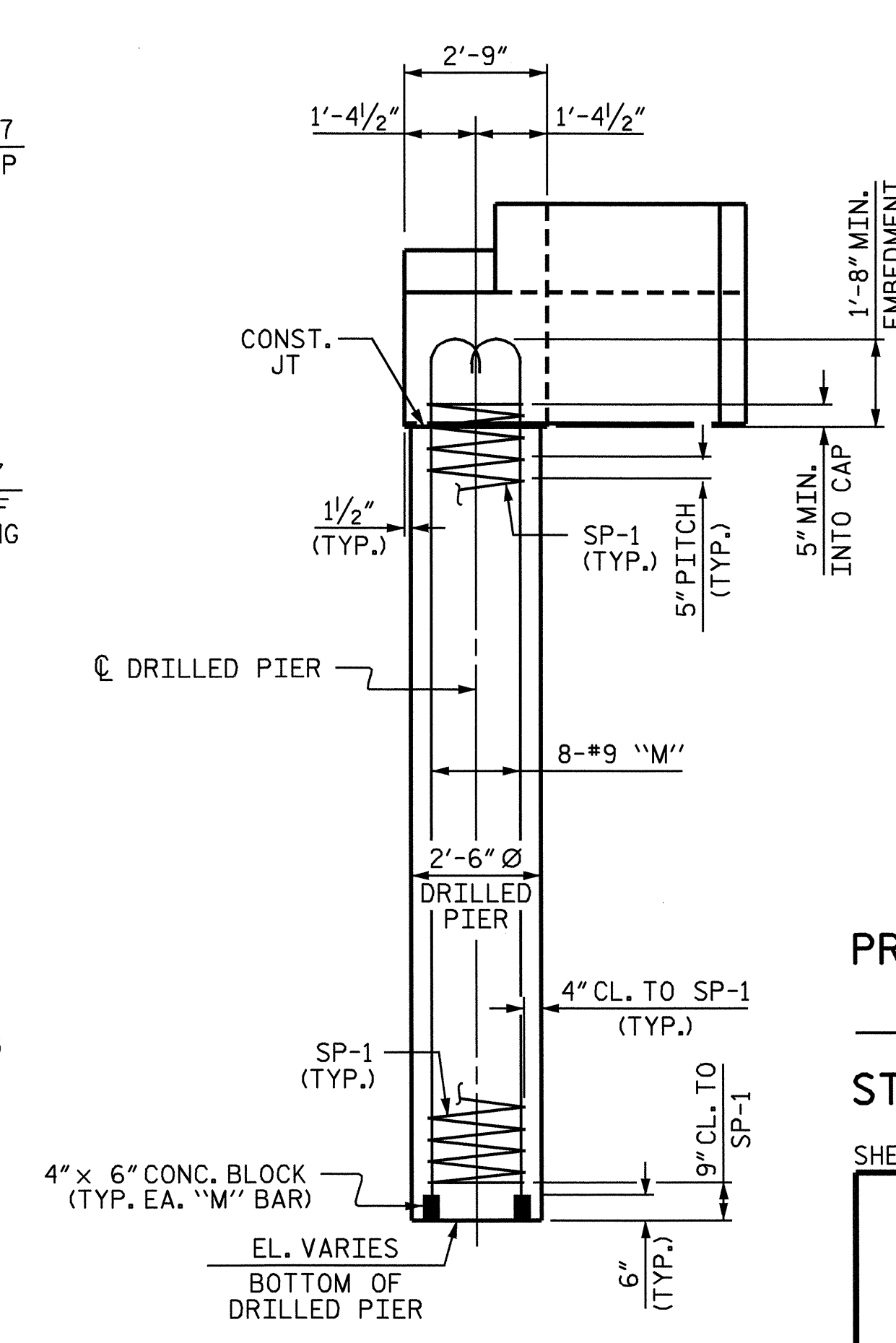
PLAN



DETAIL "A"



ELEVATION

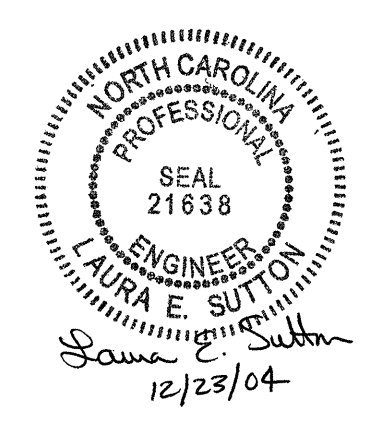


END ELEVATION

PROJECT NO. B-3808
AVERY COUNTY
 STATION: 17+13.50 -L-

SHEET 1 OF 3

STATE OF NORTH CAROLINA DEPARTMENT OF TRANSPORTATION RALEIGH						SHEET NO. S-11
SUBSTRUCTURE END BENT 2						
REVISIONS						TOTAL SHEETS 17
NO.	BY:	DATE:	NO.	BY:	DATE:	
1			3			
2			4			



23-DEC-2004 11:24
 18111010
 03808\subtron\B3808.sd.e*01.dgn
 DRAWN BY: L.E. SUTTON/NQT. DATE: 10/28/04
 CHECKED BY: A.S. CALLAWAY DATE: 11/01/04