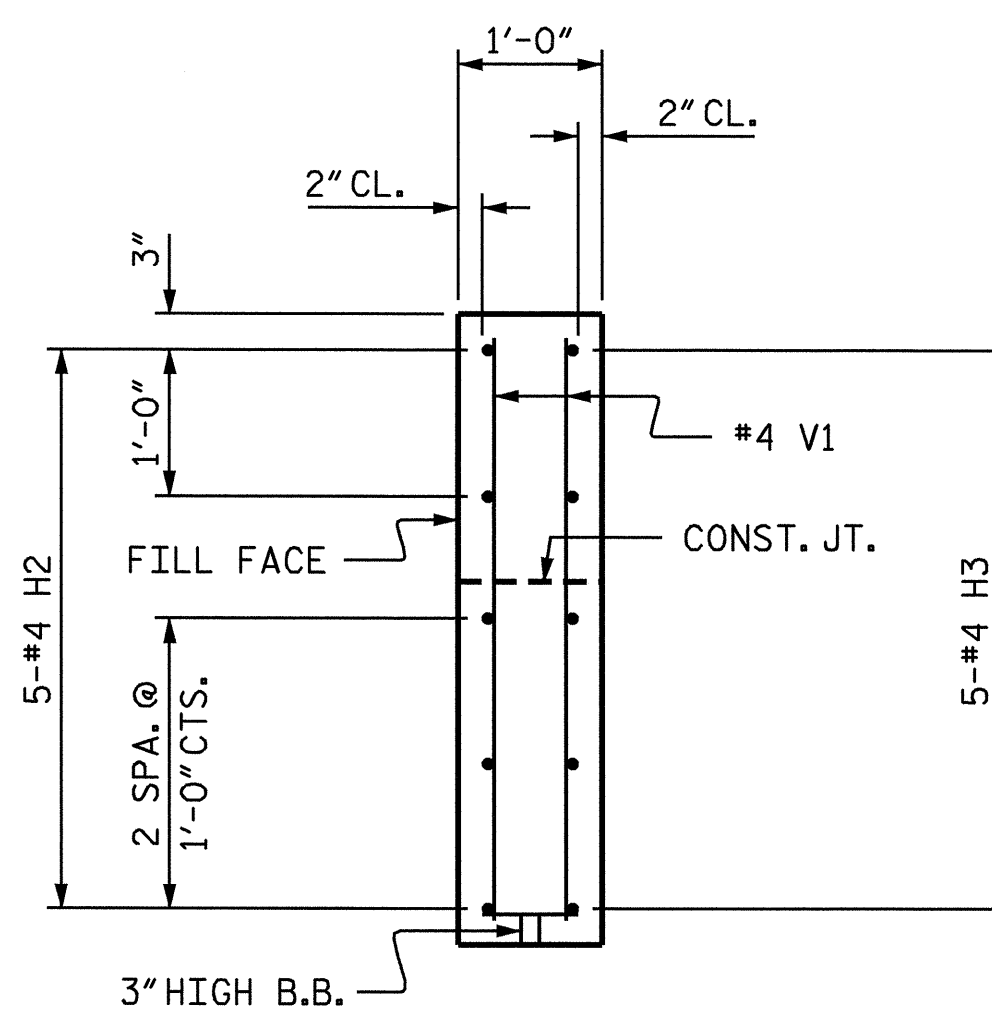
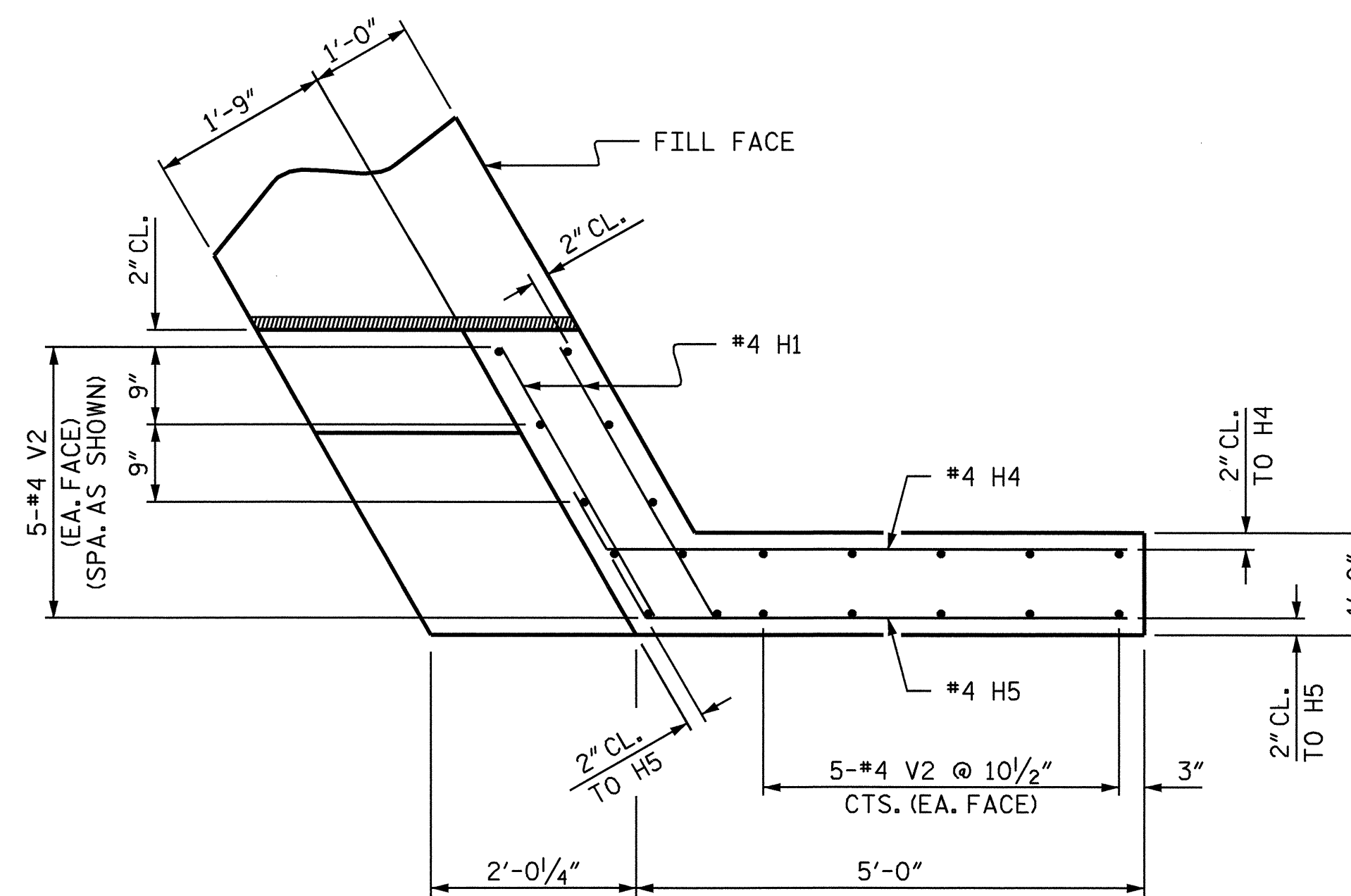


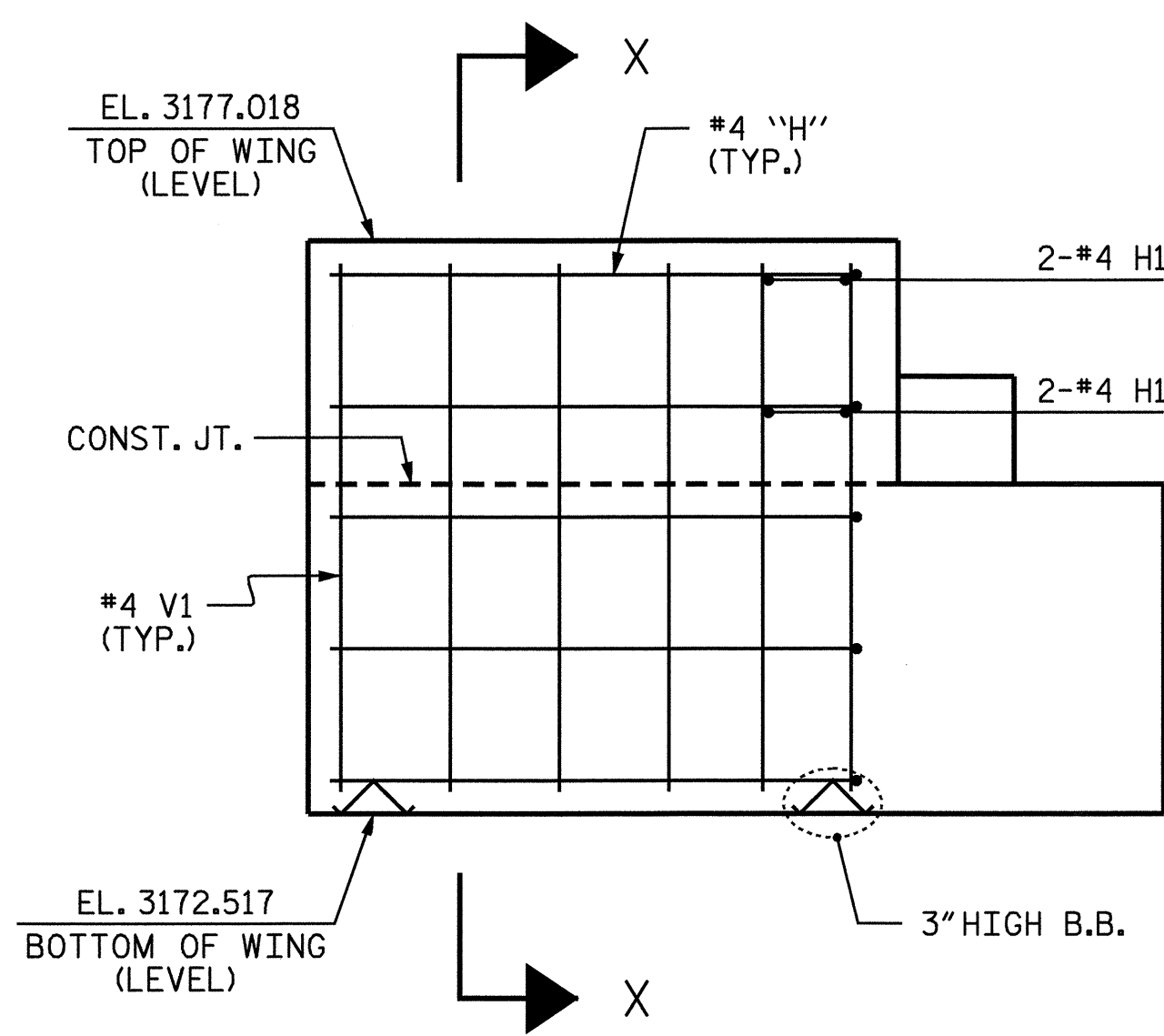
PLAN OF WING - W1



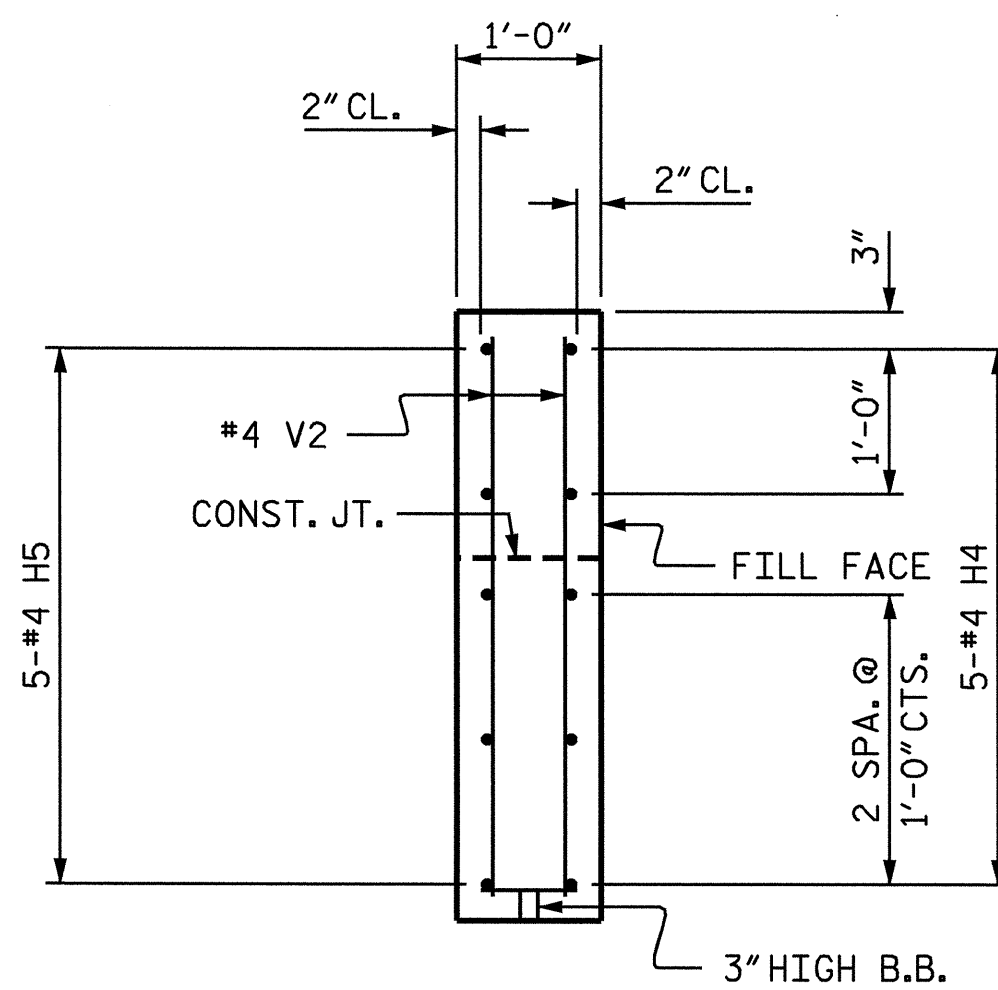
SECTION X-X



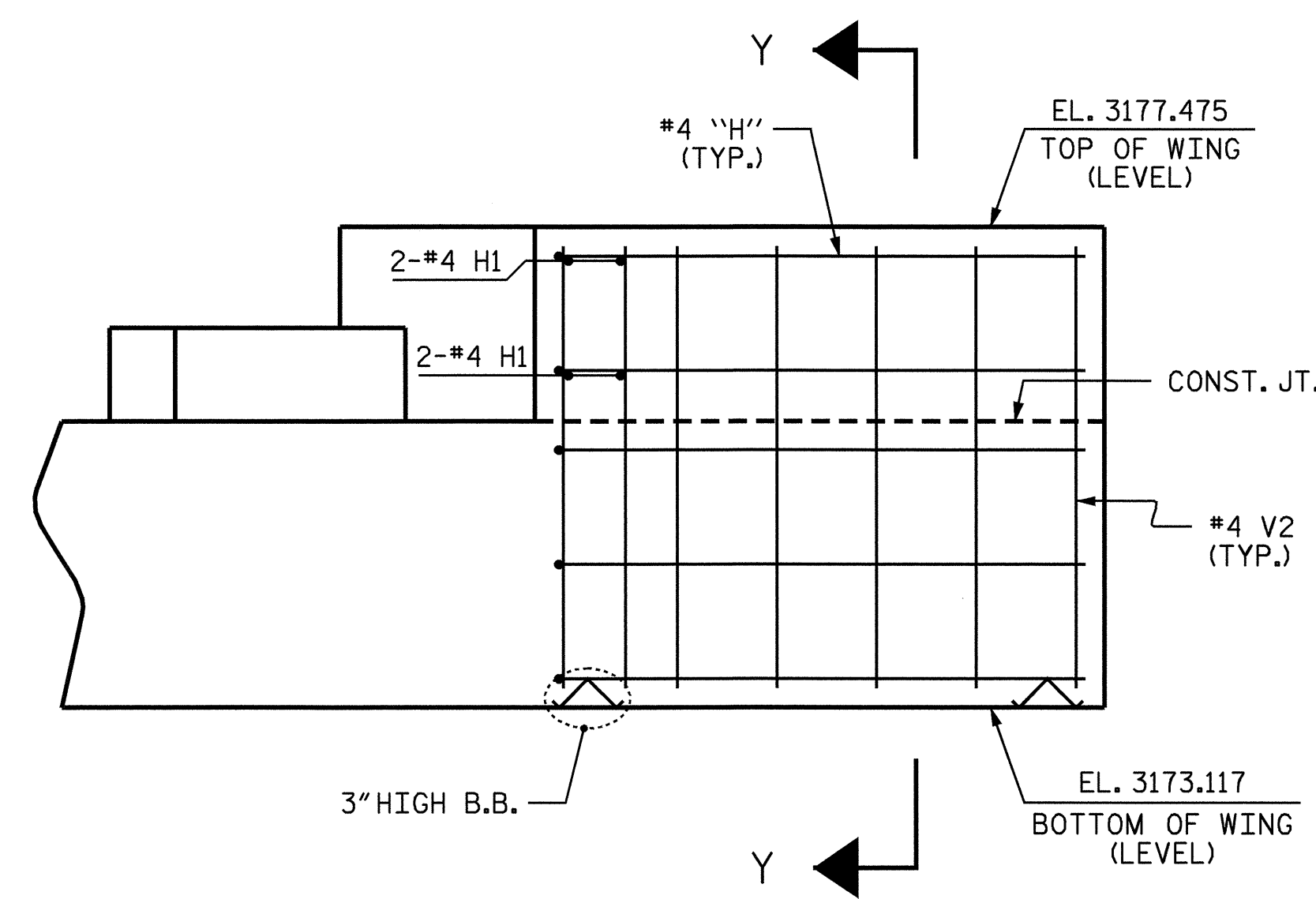
PLAN OF WING - W2



ELEVATION OF WING - W1



SECTION Y-Y



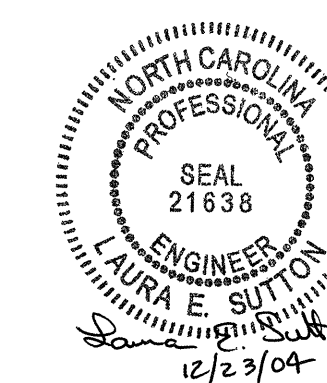
ELEVATION OF WING - W2

PROJECT NO. B-3808
AVERY COUNTY
 STATION: 17+13.50 -L-

SHEET 2 OF 3

STATE OF NORTH CAROLINA
 DEPARTMENT OF TRANSPORTATION
 RALEIGH

SUBSTRUCTURE
 END BENT 2



REVISIONS						SHEET NO.
NO.	BY:	DATE:	NO.	BY:	DATE:	S-12
1			3			TOTAL SHEETS
2			4			17

23-DEC-2004 11:24 s:\proj\13868\sutton\B3808.sd.a*.01.dgn

DRAWN BY : L.E. SUTTON/NQT. DATE : 10/28/04
 CHECKED BY : A.S. CALLAWAY DATE : 11/01/04