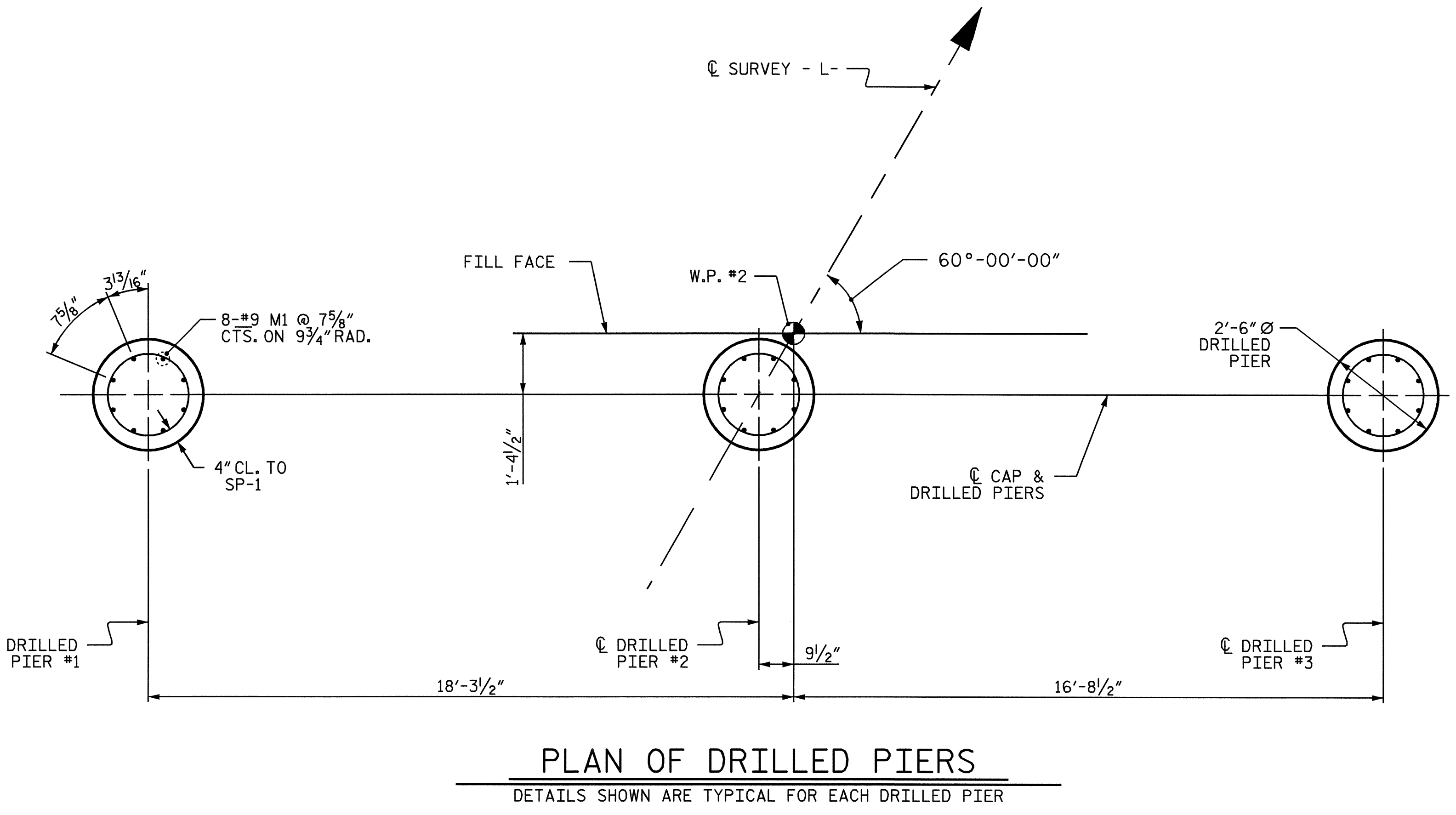
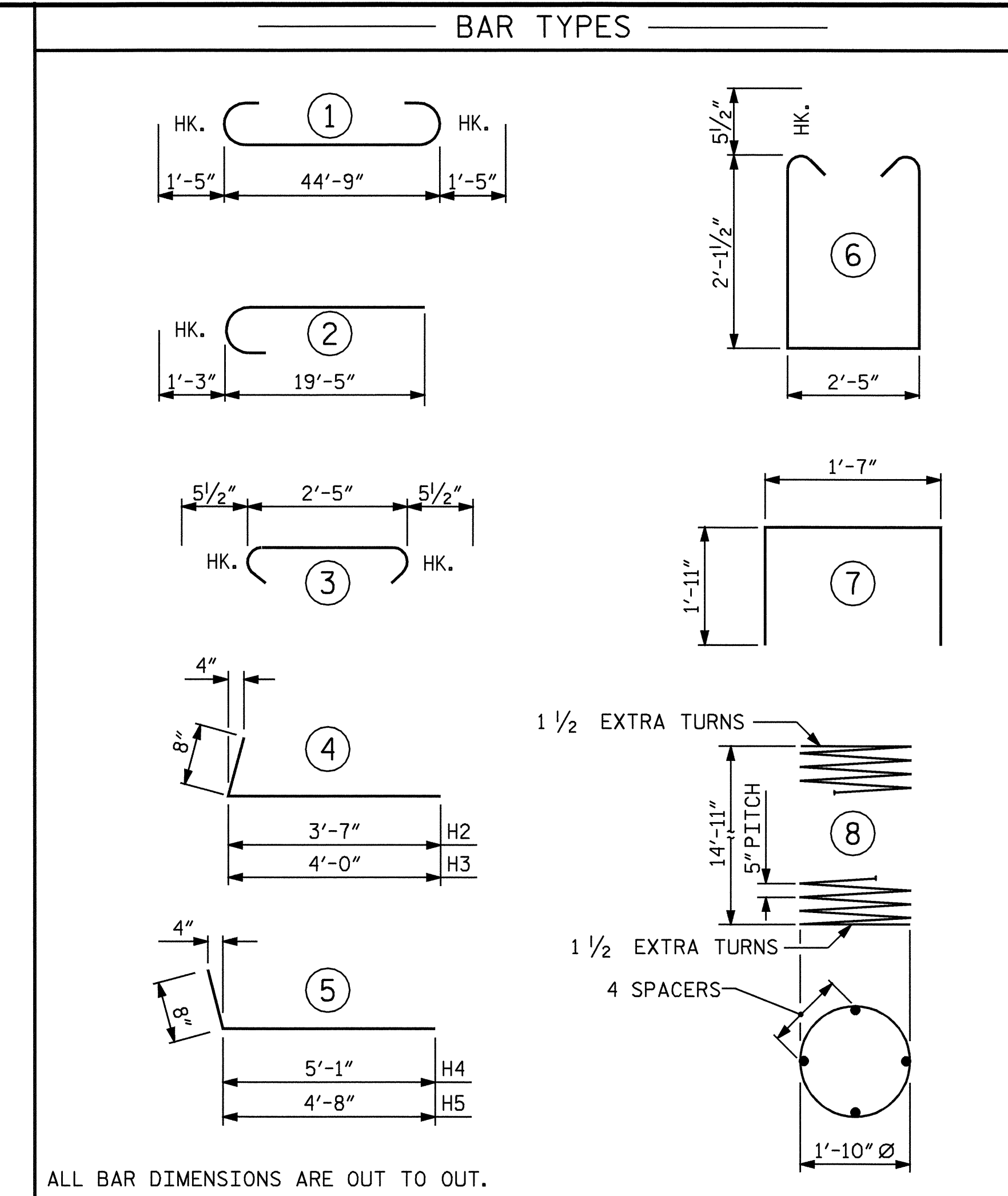


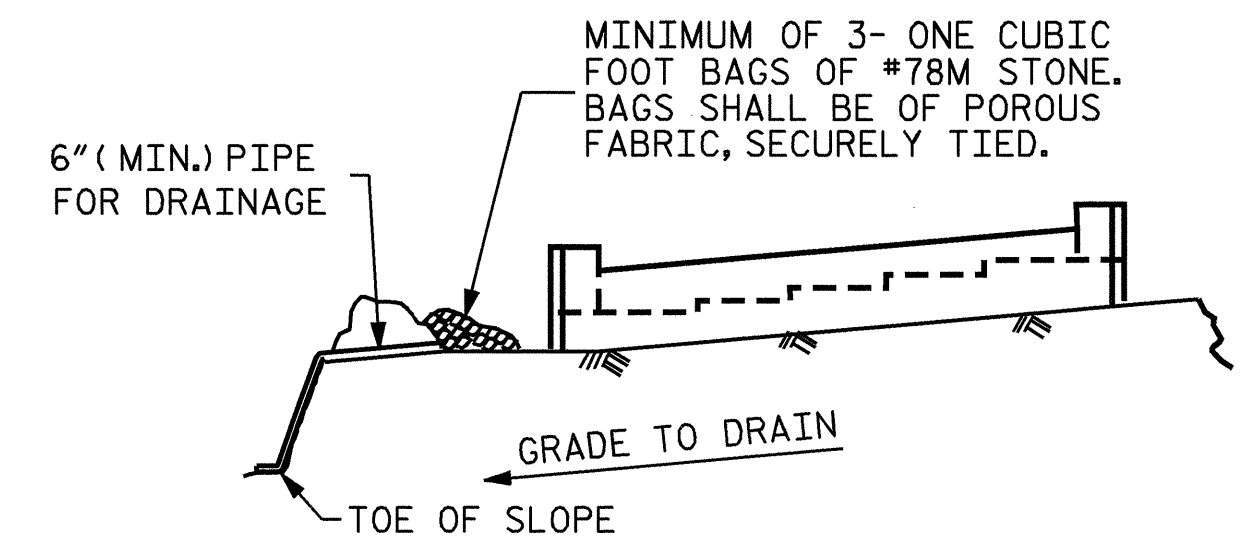
LATERAL GUIDE DETAILS  
(EACH END SIMILAR)



PLAN OF DRILLED PIERS  
DETAILS SHOWN ARE TYPICAL FOR EACH DRILLED PIER



ALL BAR DIMENSIONS ARE OUT TO OUT.



BAGGED STONE AND PIPE SHALL BE PLACED IMMEDIATELY AFTER COMPLETION OF END BENT EXCAVATION. PIPE MAY BE EITHER CONCRETE, CORRUGATED STEEL, CORRUGATED ALUMINUM ALLOY, OR CORRUGATED PLASTIC. PERFORATED PIPE WILL NOT BE ALLOWED.

BAGGED STONE SHALL REMAIN IN PLACE UNTIL THE ENGINEER DIRECTS THAT IT BE REMOVED. THE CONTRACTOR SHALL REMOVE AND DISPOSE OF SILT ACCUMULATIONS AT BAGGED STONE WHEN SO DIRECTED BY THE ENGINEER. BAGS SHALL BE REMOVED AND REPLACED WHENEVER THE ENGINEER DETERMINES THAT THEY HAVE DETERIORATED AND LOST THEIR EFFECTIVENESS.

NO SEPARATE PAYMENT WILL BE MADE FOR THIS WORK AND THE ENTIRE COST OF THIS WORK SHALL BE INCLUDED IN THE UNIT CONTRACT PRICE BID FOR THE SEVERAL PAY ITEMS.

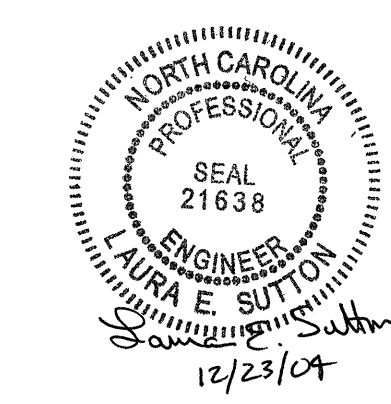
TEMPORARY DRAINAGE AT END BENT

BILL OF MATERIAL					
END BENT 2					
BAR	NO.	SIZE	TYPE	LENGTH	WEIGHT
B1	10	#10		47'-7"	2048
B2	2	#5	STR	44'-11"	94
B3	12	#4	STR	2'-5"	19
D1	22	#6	STR	1'-6"	50
H1	8	#4	STR	3'-0"	16
H2	5	#4	4	4'-3"	14
H3	5	#4	4	4'-8"	16
H4	5	#4	5	5'-9"	19
H5	5	#4	5	5'-4"	18
M1	24	#9	2	20'-8"	1686
S1	44	#5	3	3'-4"	153
S2	44	#5	6	7'-7"	348
S3	4	#4	7	5'-5"	14
V1	18	#4	STR	4'-2"	50
V2	20	#4	STR	4'-0"	53
REINFORCING STEEL				LBS.	4598
SP-1	3	*	8	217'-9"	681
TOTAL SPIRAL COLUMN REINFORCING STEEL				LBS.	681
CLASS A CONCRETE BREAKDOWN					
POUR #2 (CAP & WINGS)				CU. YD.	12.2
POUR #3 (WINGS)				CU. YD.	1.0
POUR #4 (LATERAL GUIDE)				CU. YD.	0.1
TOTAL CONCRETE				CU. YD.	13.3
DRILLED PIER QUANTITIES					
DRILLED PIER CONCRETE					
POUR #1 (DRILLED PIERS)				CU. YD.	8.3
2'-6" Ø DRILLED PIER IN SOIL				LIN. FT.	23.25
2'-6" Ø DRILLED PIER NOT IN SOIL				LIN. FT.	22.50
PERMANENT STEEL CASING FOR 2'-6" Ø DRILLED PIER				LIN. FT.	14.97
CROSSHOLE SONIC LOGGING				EA.	1
CSL TUBES				LIN. FT.	213.00
* THE SP-1 SPIRAL REINFORCING STEEL SHALL BE W31 OR D-31 COLD DRAWN WIRE OR #5 PLAIN OR DEFORMED BAR.					

PROJECT NO. B-3808  
AVERY COUNTY  
 STATION: 17+13.50 -L-

SHEET 3 OF 3

STATE OF NORTH CAROLINA DEPARTMENT OF TRANSPORTATION RALEIGH					
SUBSTRUCTURE END BENT 2					
REVISIONS					SHEET NO.
NO.	BY:	DATE:	NO.	BY:	DATE:
1			3		
2			4		
					S-13
					TOTAL SHEETS 17



23-DEC-2004 11:24  
 W:\Squadd\B3808\B3808.ed.e\*01.dgn  
 DRAWN BY: L.E. SUTTON/NQT. DATE: 10/28/04  
 CHECKED BY: A.S. CALLAWAY DATE: 11/01/04