

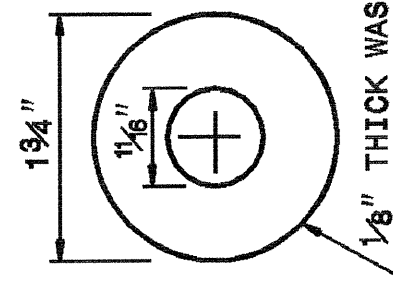
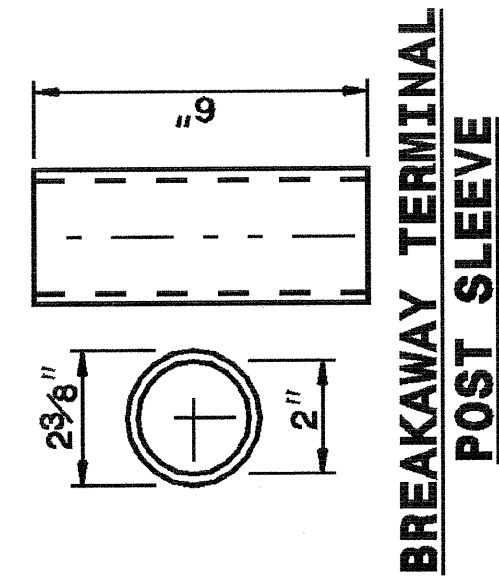
4-MAY-2003 14:32  
 W:\Special Details\series\ward-d\stds\02\Stds to Special Details\english\862d02\0862d02.dgn  
 ericward AT DS18866

5/14/99

STATE OF  
 NORTH CAROLINA  
 DEPT. OF TRANSPORTATION  
 DIVISION OF HIGHWAYS  
 RALEIGH, N.C.

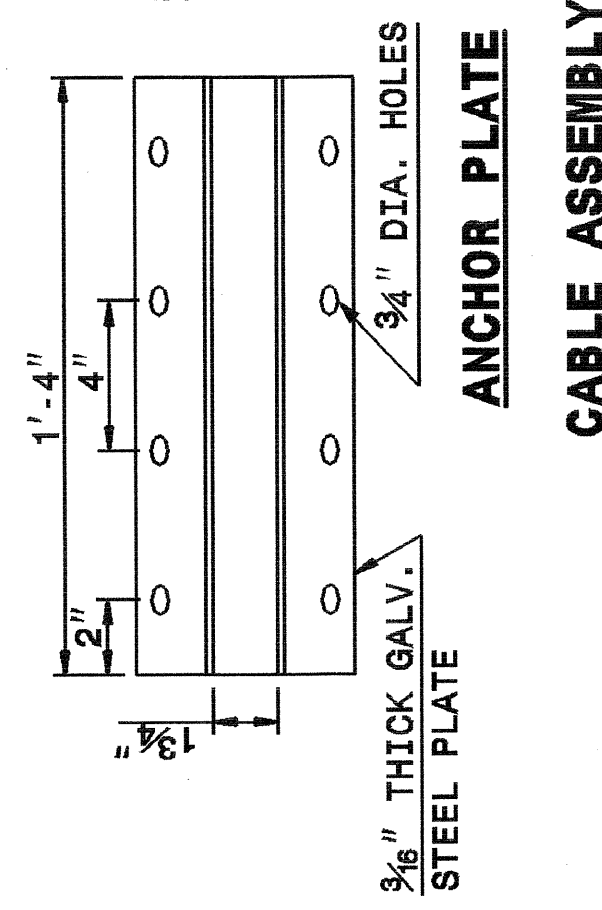
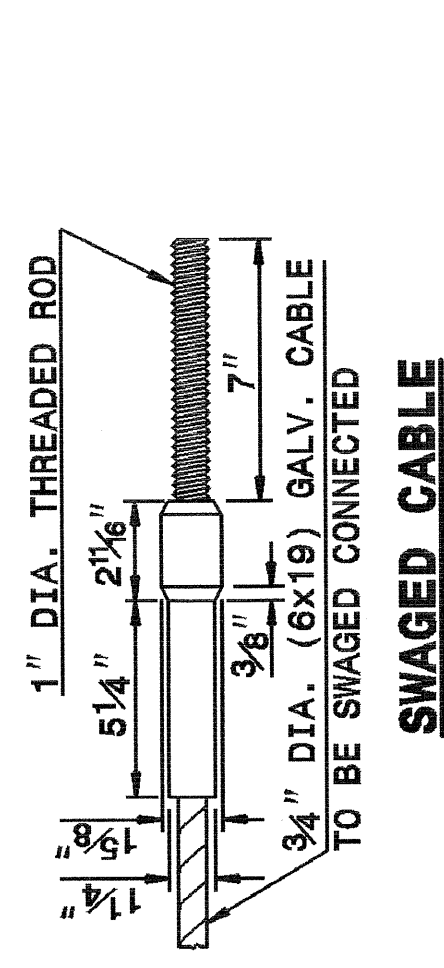
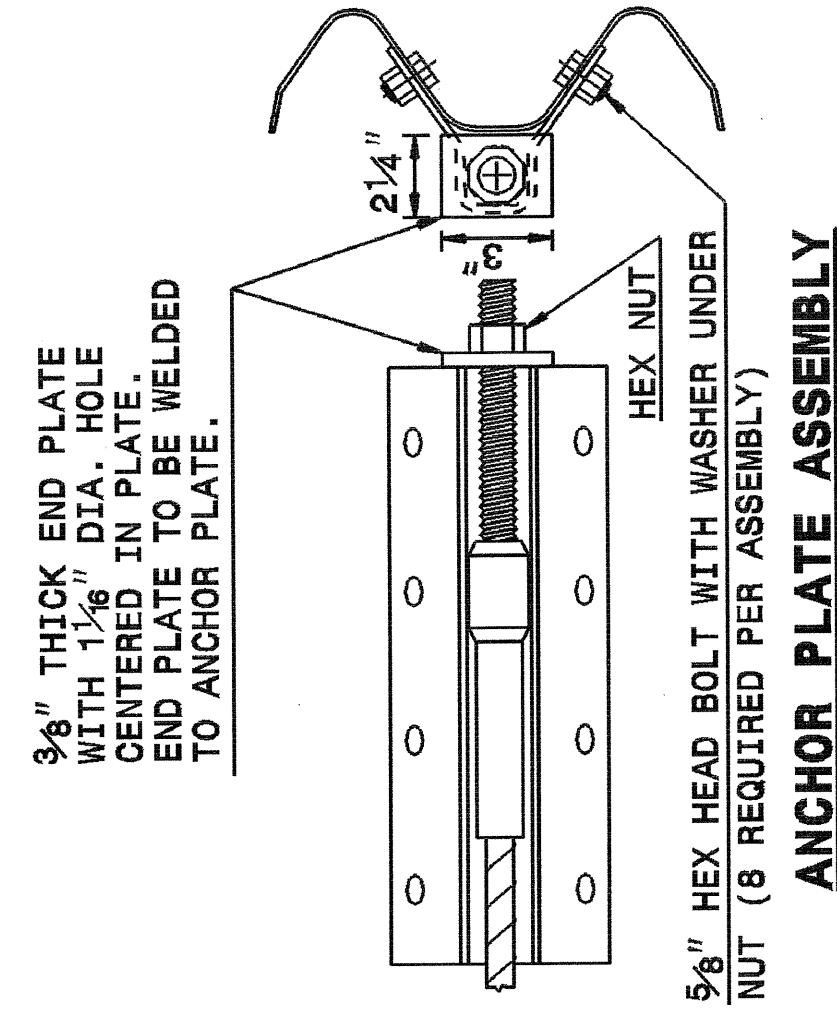
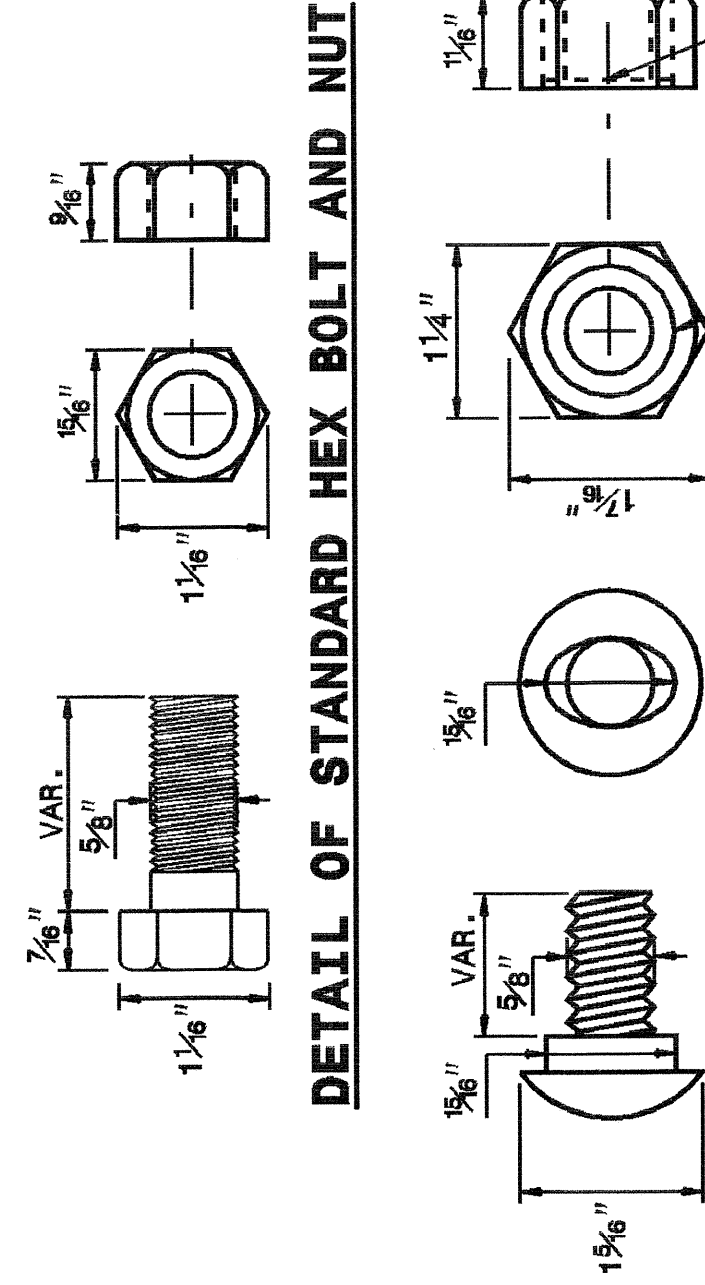
ENGLISH DETAIL DRAWING FOR  
 GUARDRAIL INSTALLATION

SHEET 5 OF 7  
**862D02**



**DETAIL OF STANDARD WASHER**

STANDARD WASHER: TYPICAL USE UNDER NUT WITH WOOD POST



**SYSTEM PARTS**

SHEET 5 OF 7  
**862D02**

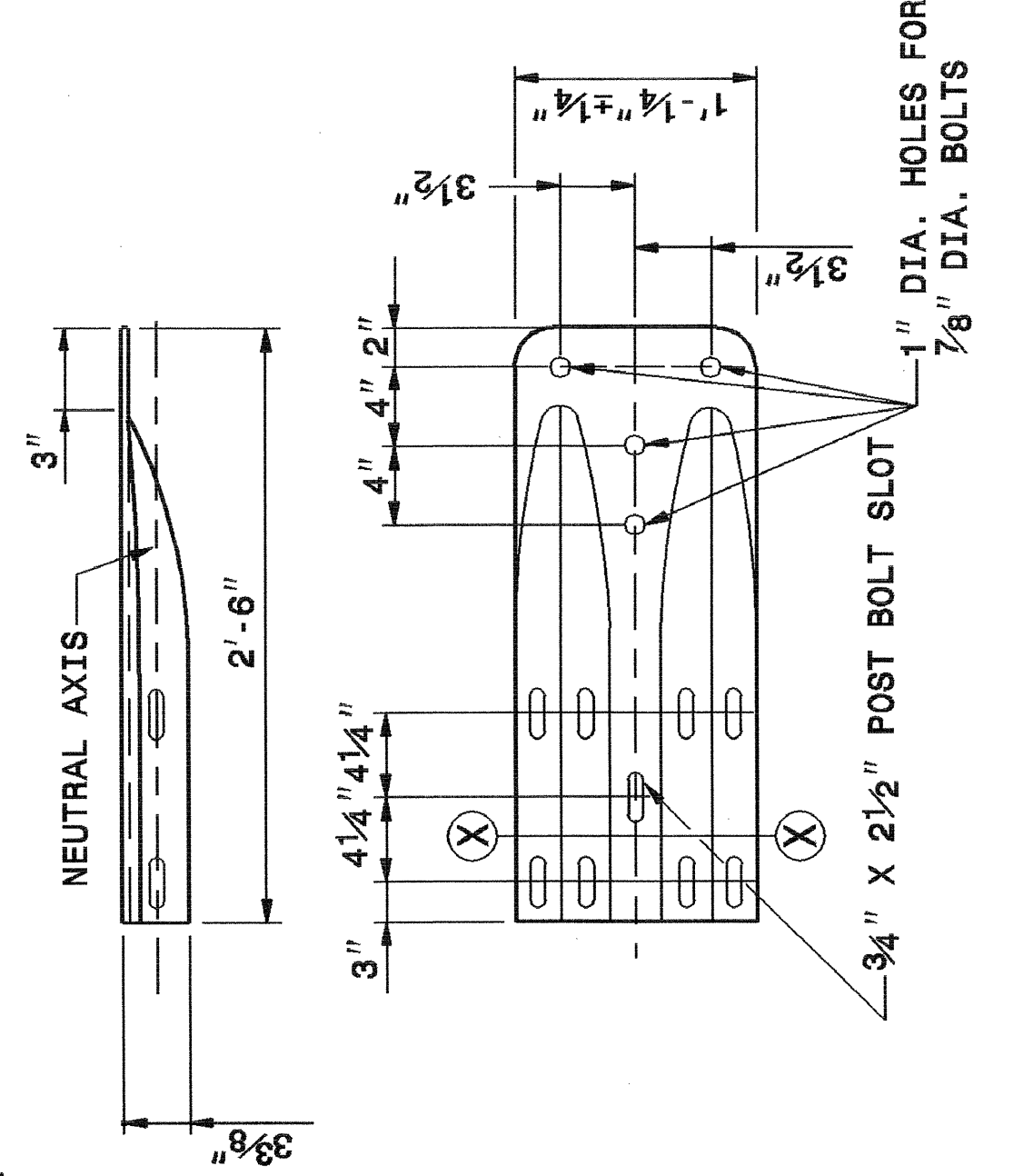
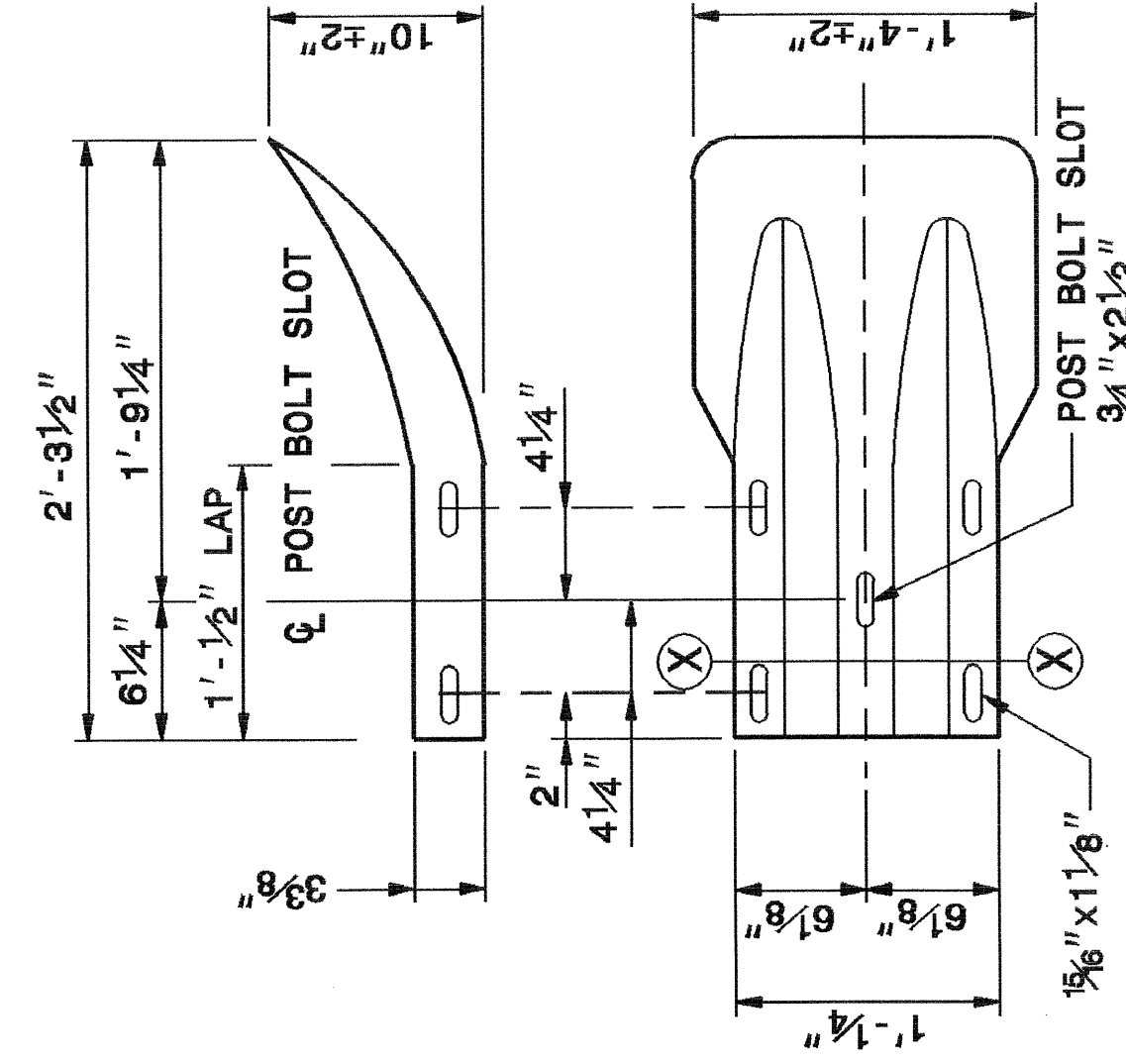
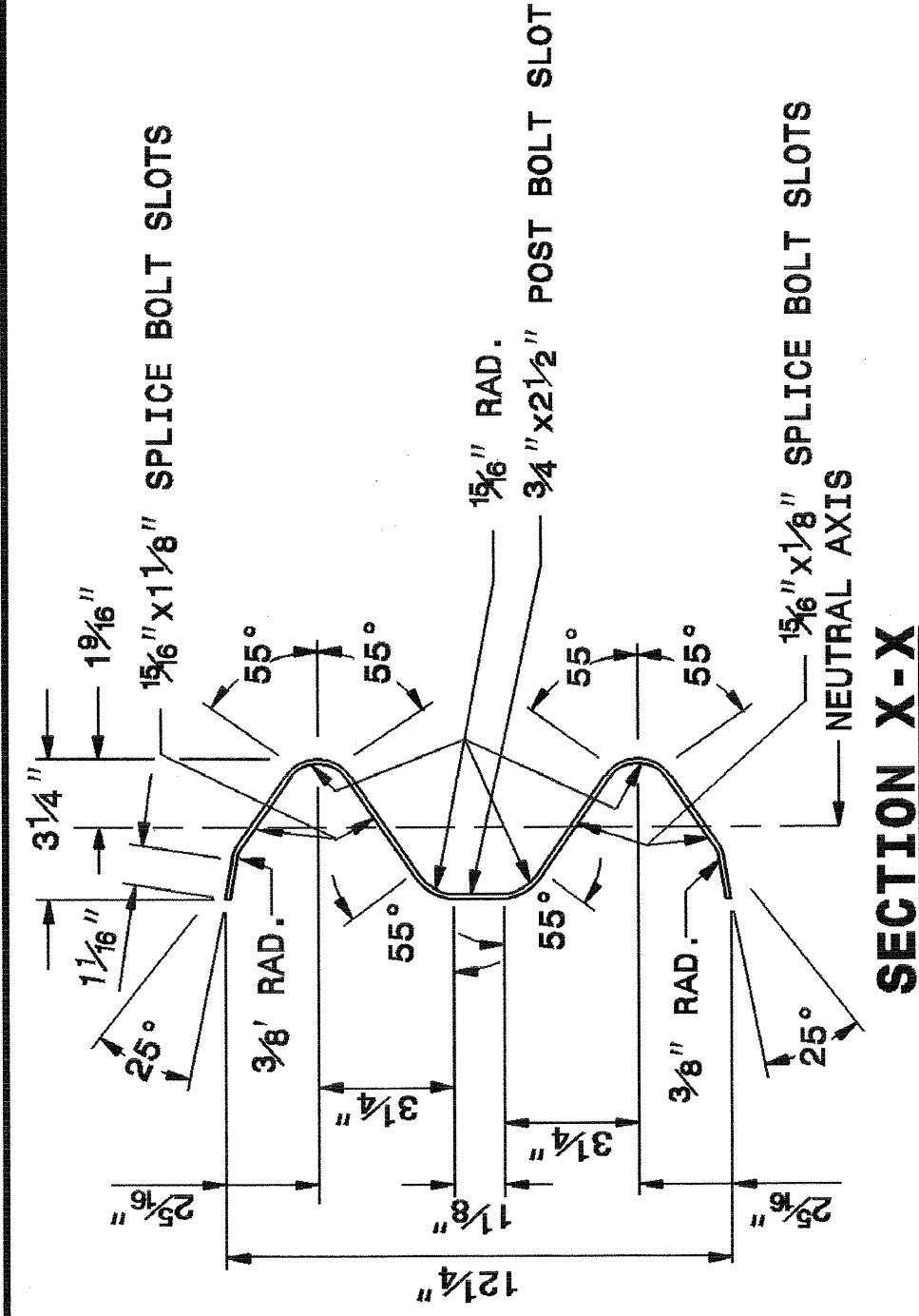
STATE OF  
 NORTH CAROLINA  
 DEPT. OF TRANSPORTATION  
 DIVISION OF HIGHWAYS  
 RALEIGH, N.C.

ENGLISH DETAIL DRAWING FOR  
 GUARDRAIL INSTALLATION

STATE OF  
 NORTH CAROLINA  
 DEPT. OF TRANSPORTATION  
 DIVISION OF HIGHWAYS  
 RALEIGH, N.C.

ENGLISH DETAIL DRAWING FOR  
 GUARDRAIL INSTALLATION

SHEET 6 OF 7  
**862D02**



**SYSTEM PARTS - GENERAL USE**

SHEET 6 OF 7  
**862D02**

STATE OF  
 NORTH CAROLINA  
 DEPT. OF TRANSPORTATION  
 DIVISION OF HIGHWAYS  
 RALEIGH, N.C.

ENGLISH DETAIL DRAWING FOR  
 GUARDRAIL INSTALLATION

DESIGN SERVICES UNIT  
 STANDARDS AND SPECIAL DESIGN  
 Office 919-250-4128 FAX 919-250-4119

**SEE PLATE FOR TITLE**

ORIGINAL BY: 2002 STD. 862.02 DATE:  
 MODIFIED BY: E.E. WARD DATE: 02-09-03  
 CHECKED BY: DATE:  
 FILE SPEC.: /usr/stds/02todetail/english/86202/862d02.dgn

