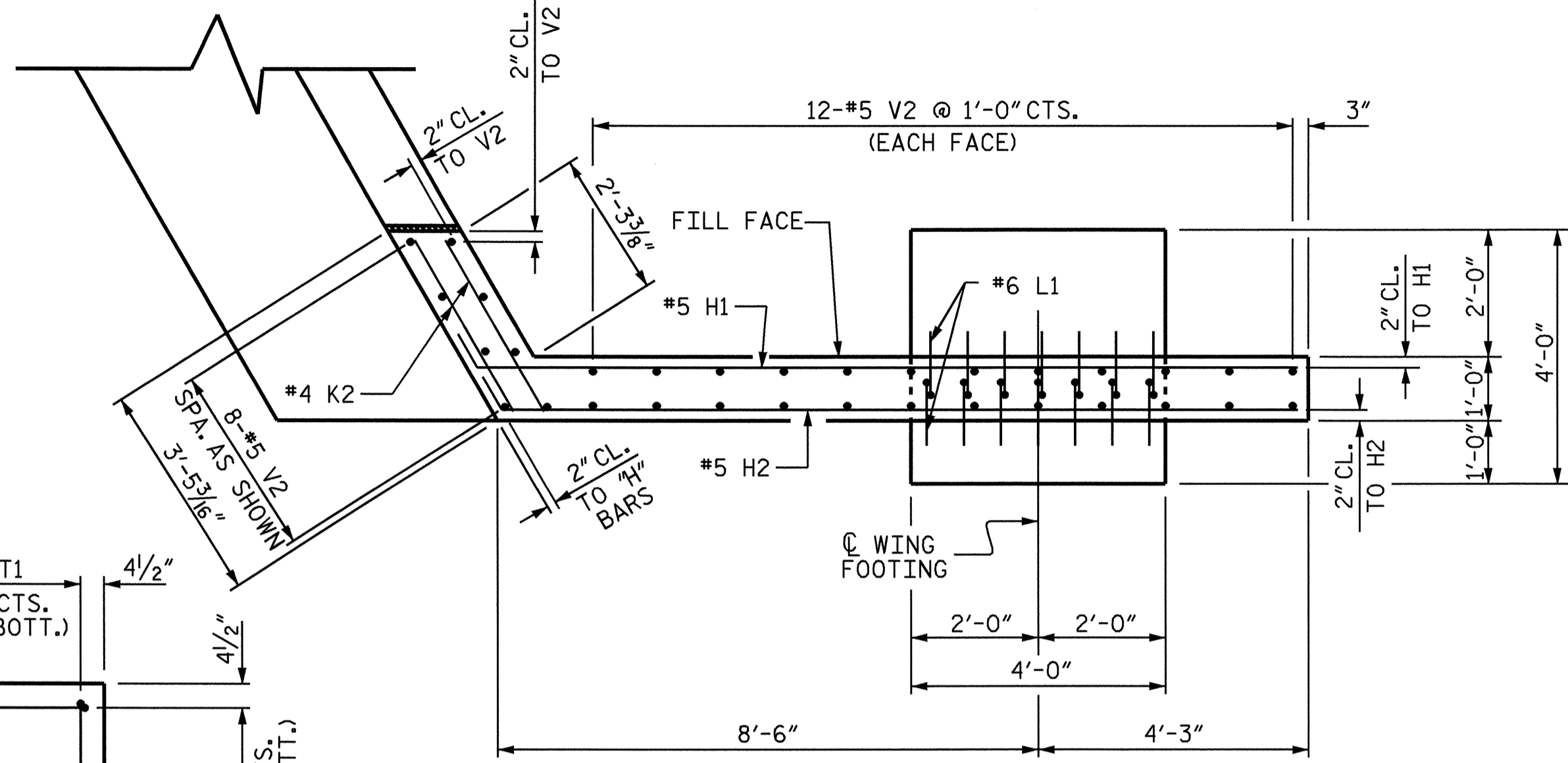
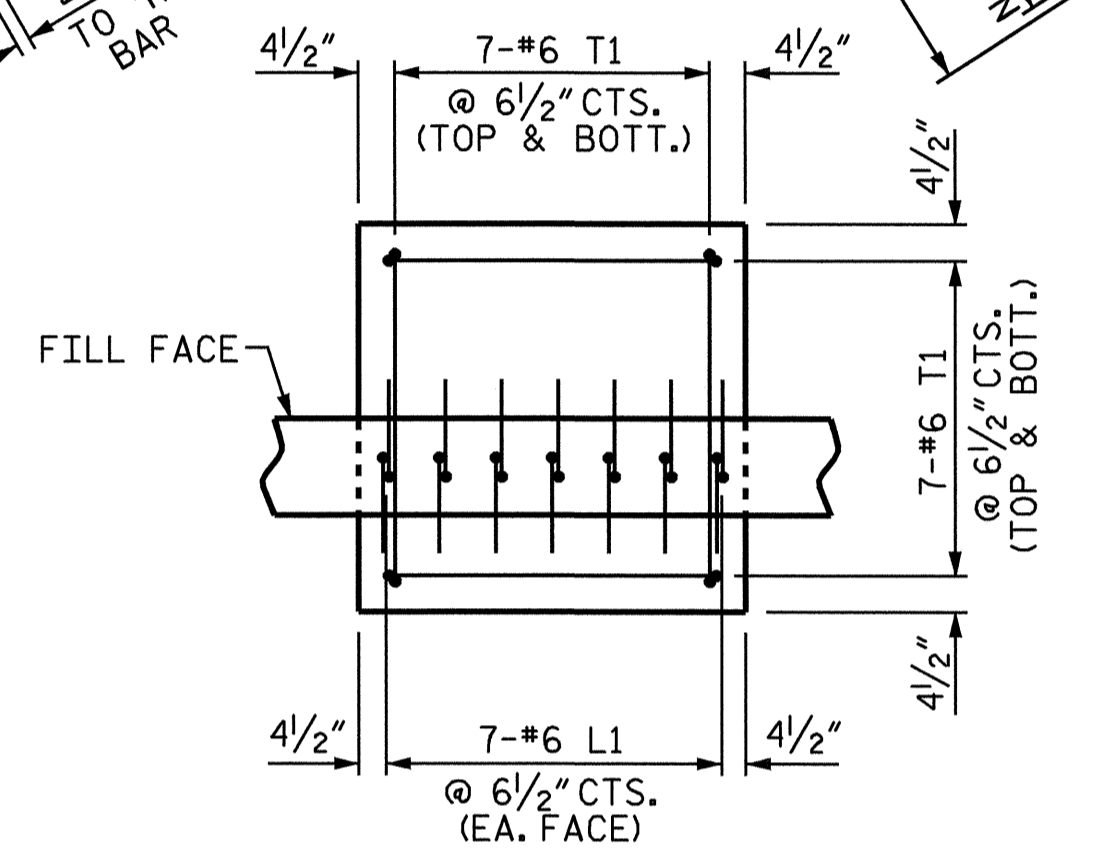


PLAN OF WING-W1

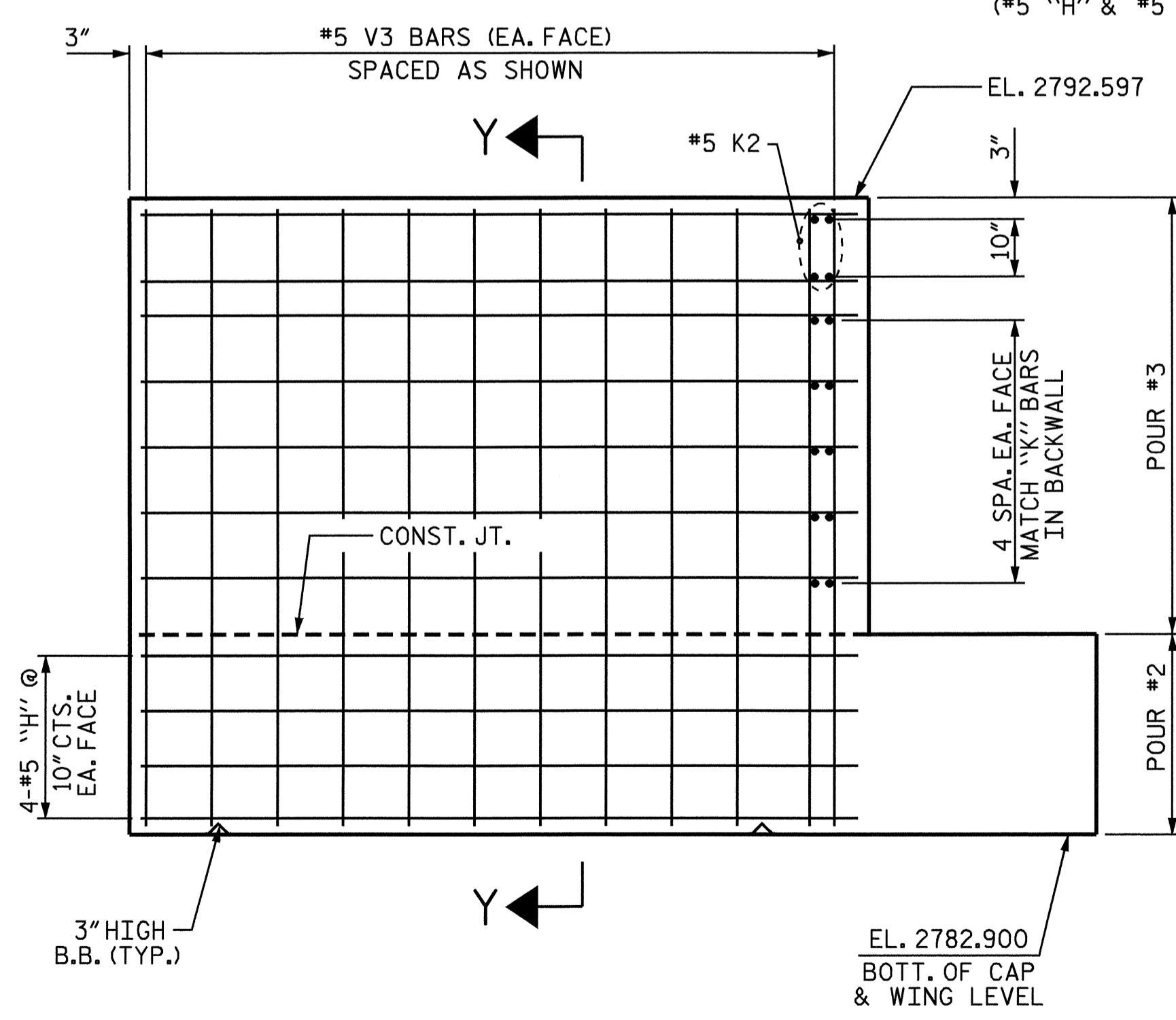


PLAN OF WING-W2

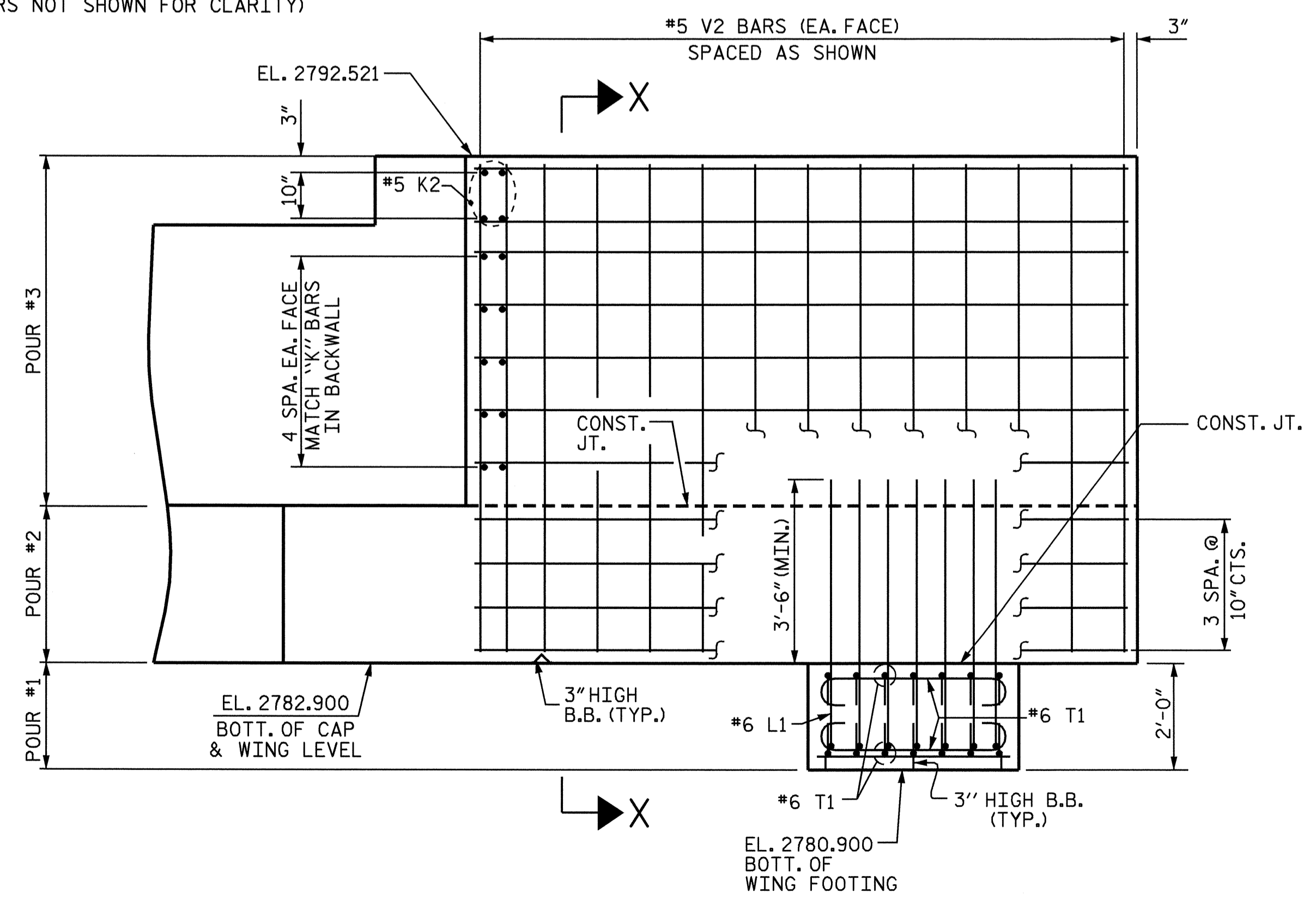


PLAN OF WING FOOTING W2

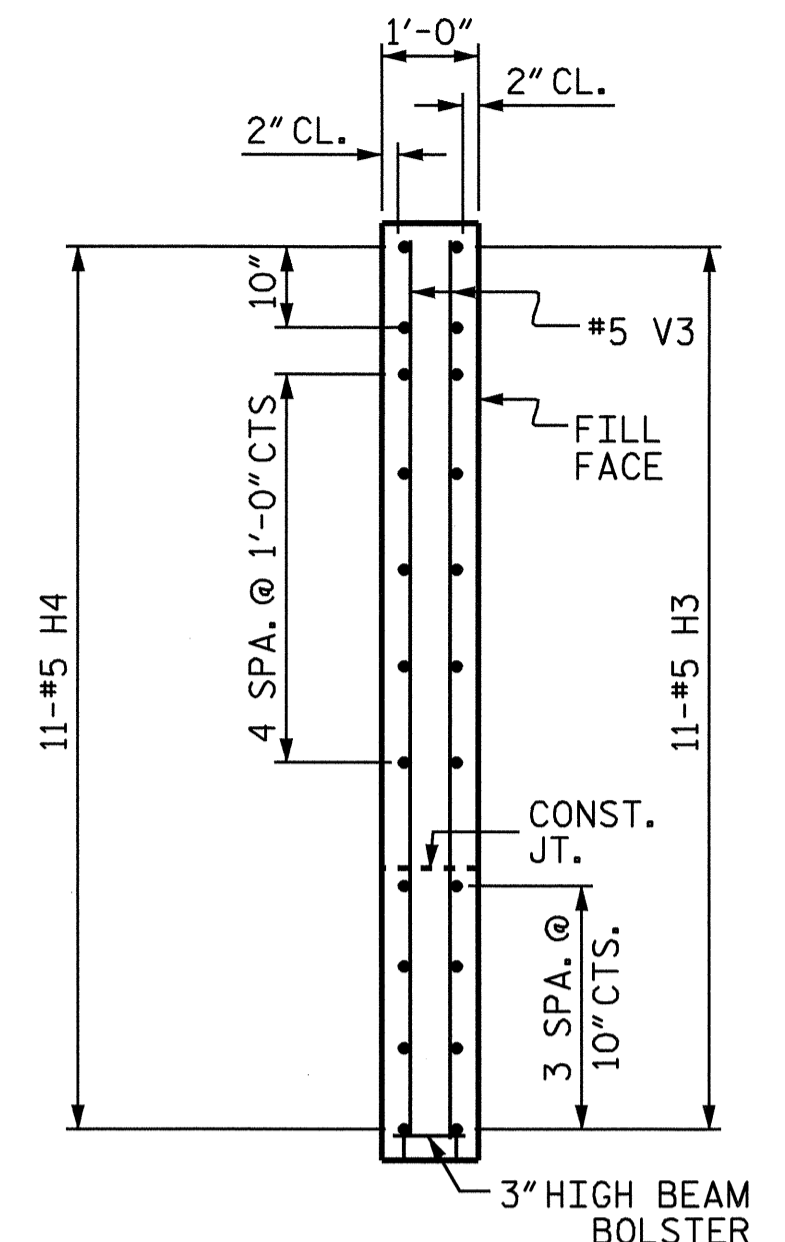
(\*5 "H" & \*5 V2 BARS NOT SHOWN FOR CLARITY)



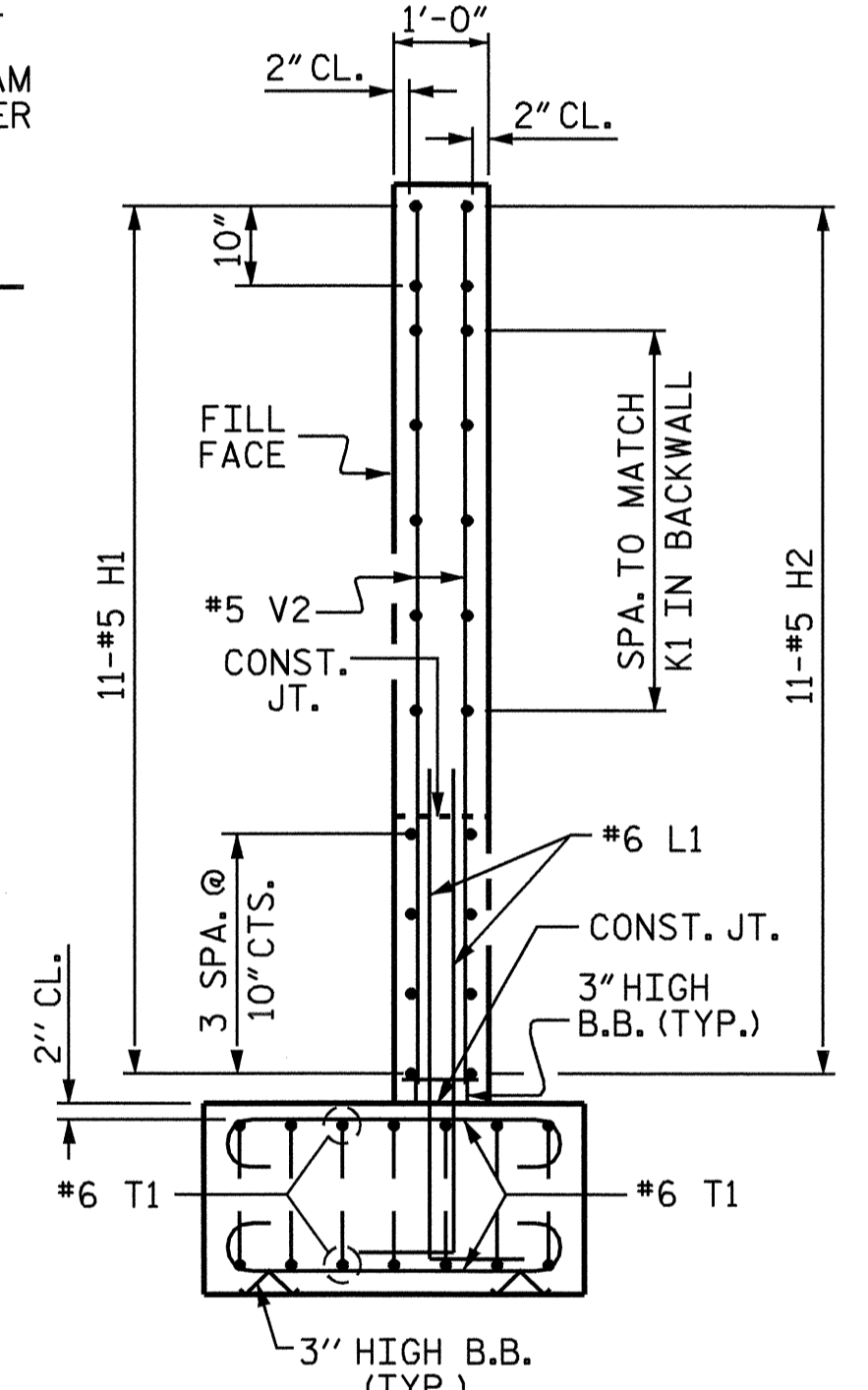
ELEVATION OF WING-W1



ELEVATION OF WING-W2



SECTION Y-Y



SECTION X-X

DRAWN BY: CR YARBROUGH DATE: 10/04  
 CHECKED BY: M.G. CHEEK DATE: 11/04

22-DEC-2004 12:00  
 W:\sduquady\b3300\clevts\MICROS2\B3300E2.DGN  
 Imurphy



PROJECT NO. B-3300  
 ASHE COUNTY  
 STATION: 17+36.00 -L-  
 SHEET 2 OF 3

STATE OF NORTH CAROLINA DEPARTMENT OF TRANSPORTATION RALEIGH					
SUBSTRUCTURE END BENT #2					
REVISIONS					
NO.	BY:	DATE:	NO.	BY:	DATE:
1			3		
2			4		
					SHEET NO. S-17
					TOTAL SHEETS 23