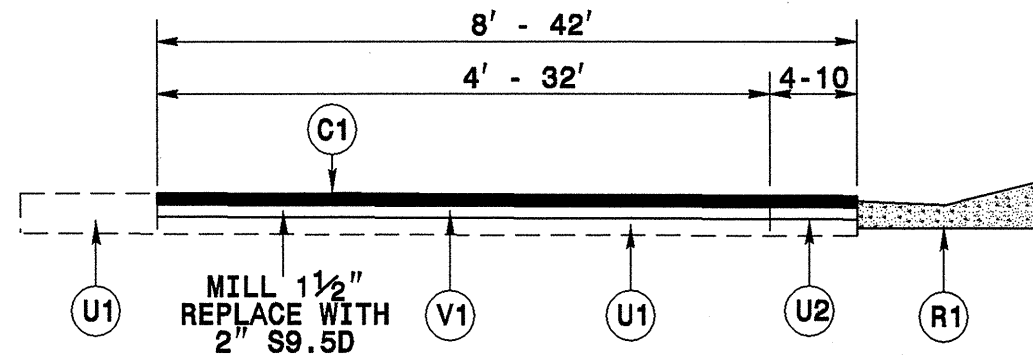
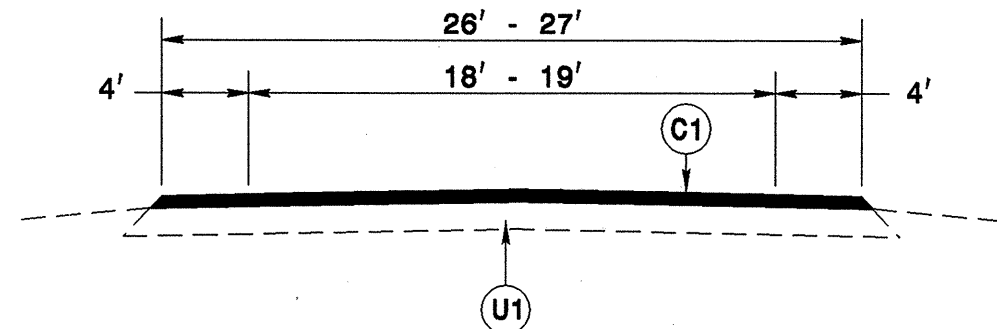


NOTE: STA 0+00 STARTS AT NEW PAVEMENT JOINT WEST OF (SR1158) HUFFMAN MILL RD.

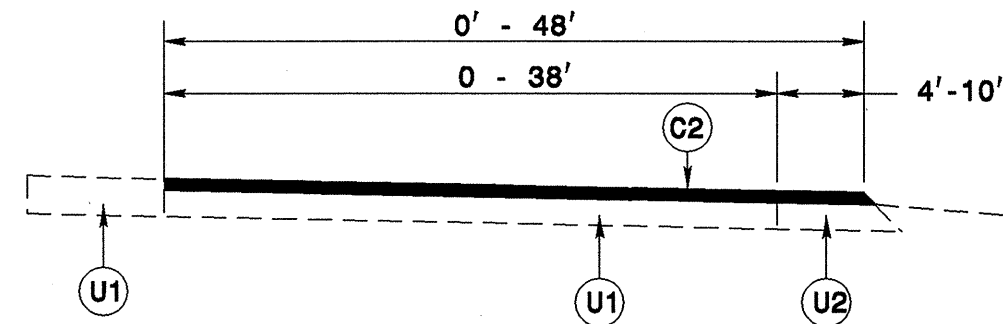
PROJECT NO.	SHEET NO.	TOTAL SHEETS
38183.31(1-4713)	6	8



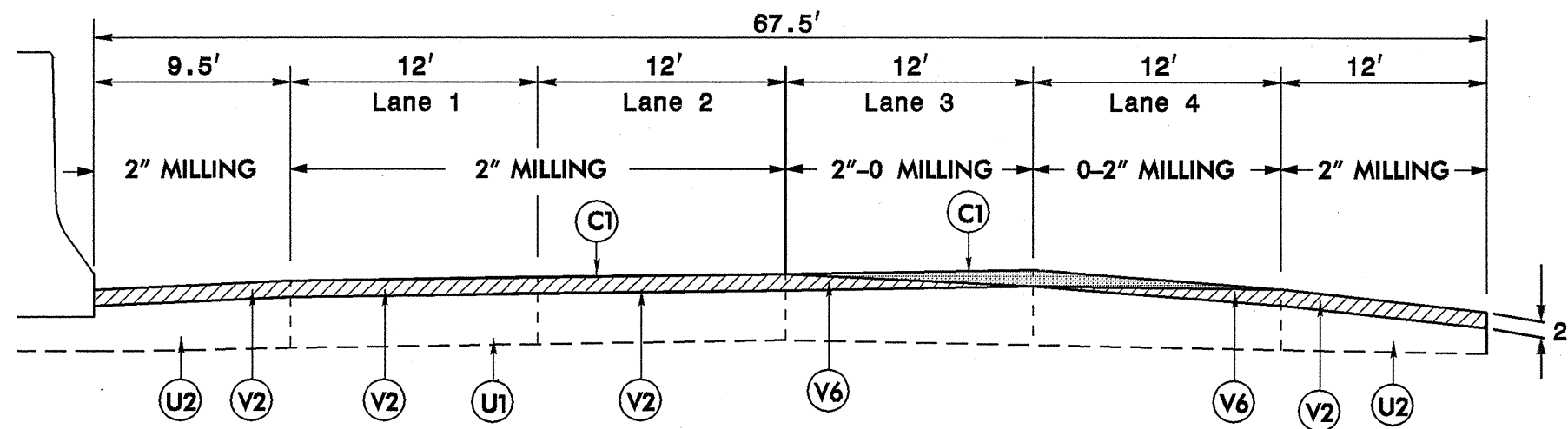
TYPICAL SECTION NO. 11



TYPICAL SECTION NO. 13



TYPICAL SECTION NO. 12



STA. 19+28 TO STA 28+78 MILL AS SHOWN AND OVERLAY WITH 2" S9.5D

NOTE: STA. 16+28 TO STA 19+28; STA. 28+78 - STA. 31+78
 TRANSITION FROM 1 1/2" MILLING TO 2" MILLING IN LANES 1, 2, INSIDE AND OUTSIDE SHOULDERS;
 IN LANE 3 TRANSITION FROM 1 1/2" MILLING TO 0-2" MILLING;
 IN LANE 4 TRANSITION FROM 1 1/2" MILLING TO 2-0" MILLING;

TYPICAL SECTION NO. 14

MILLING SCHEDULE

V1	MILLING BITUMINOUS PAVEMENT 1 1/2" DEPTH.
V2	MILLING BITUMINOUS PAVEMENT 2" DEPTH.
V3	MILLING BITUMINOUS PAVEMENT 3" DEPTH.
V4	MILLING BITUMINOUS PAVEMENT 4 1/2" DEPTH.
V5	MILLING BITUMINOUS PAVEMENT 0 - 1 1/2" DEPTH.
V6	MILLING BITUMINOUS PAVEMENT 0 - 2" DEPTH.
V7	MILLING BITUMINOUS PAVEMENT 1 1/2 - 2" DEPTH.
V8	MILLING BITUMINOUS PAVEMENT 3 - 4 1/2" DEPTH.

PAVEMENT SCHEDULE

C1	PROP. APPROX. 2" ASPHALT. CONC. SURFACE COURSE, TYPE S9.5D, AT AN AVERAGE RATE OF 224 LBS. PER SQ. YD.		
C2	PROP. APPROX. 1 1/2" ASPHALT. CONC. SURFACE COURSE, TYPE S9.5D, AT AN AVERAGE RATE OF 168 LBS. PER SQ. YD.		
C3	PROP. APPROX. 2" ASPHALT. CONC. SURFACE COURSE, TYPE S9.5C, AT AN AVERAGE RATE OF 224 LBS. PER SQ. YD.		
C4	PROP. APPROX. 1 1/2" ASPHALT. CONC. SURFACE COURSE, TYPE S9.5C, AT AN AVERAGE RATE OF 168 LBS. PER SQ. YD.		
D1	PROP. APPROX. 3" ASPHALT. CONC. INTERMEDIATE COURSE, TYPE I19.0D, AT AN AVERAGE RATE OF 342 LBS. PER SQ. YD.		
D2	PROP. APPROX. 3" ASPHALT. CONC. INTERMEDIATE COURSE, TYPE I19.0C, AT AN AVERAGE RATE OF 342 LBS. PER SQ. YD.		
D3	PROP. APPROX. 4 1/2" ASPHALT. CONC. INTERMEDIATE COURSE, TYPE I19.0C, AT AN AVERAGE RATE OF 513 LBS. PER SQ. YD.		
E	PROP. APPROX. 11" ASPHALT. CONC. BASE COURSE, TYPE B25.0C, AT AN AVERAGE RATE OF 627 LBS. PER SQ. YD. IN EACH OF TWO LAYERS		
R1	EXPRESS GUTTER	U1	EXISTING TRAVELWAY.
R2	2-6 CURB AND GUTTER	U2	EXISTING PAVED SHOULDER.
T	EARTH MATERIAL		

23-DEC-2004 08:29
 Projects\Division 7\Moving Ahead\38183.31\1-4713.Typicals.dgn
 dsfuller At Ds214566