

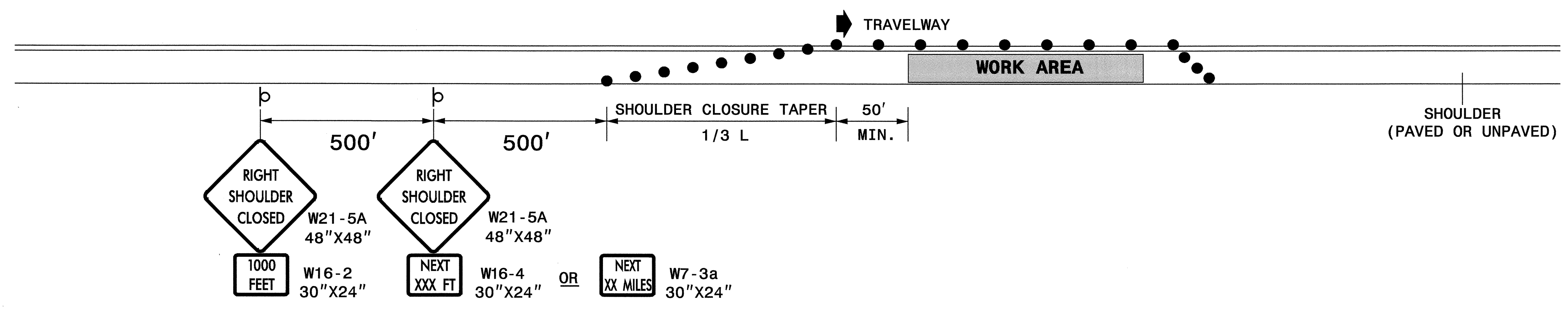
STATE OF NORTH CAROLINA
 DEPT. OF TRANSPORTATION
 DIVISION OF HIGHWAYS
 RALEIGH, N.C.

1-05

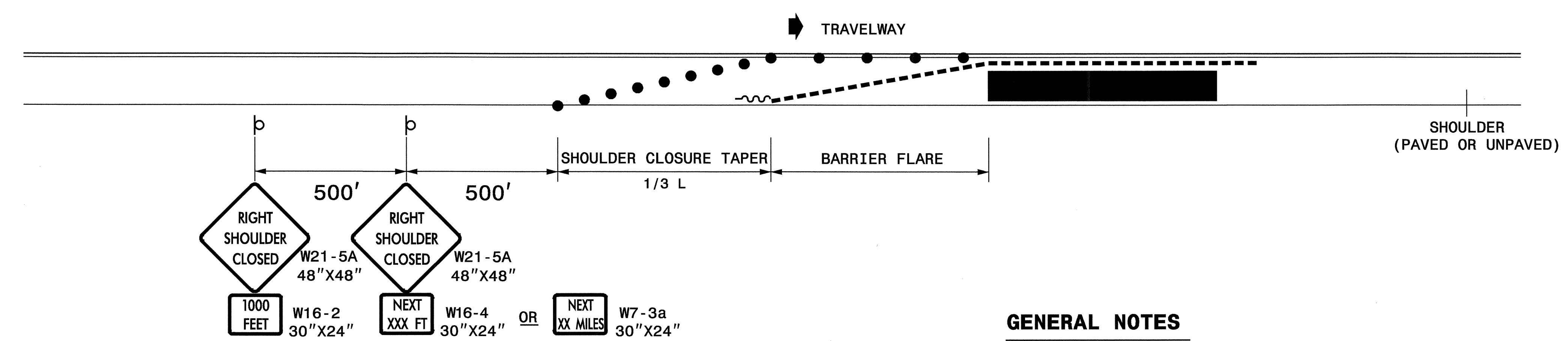
ENGLISH STANDARD DRAWING FOR
TEMPORARY SHOULDER CLOSURES

SHEET 1 OF 1
1101D04

SHOULDER CLOSURES UTILIZING DRUMS



SHOULDER CLOSURES UTILIZING TEMPORARY BARRIER



GENERAL NOTES

- PLACE SHOULDER CLOSURE SIGNS ON THE SAME SIDE AS THE SHOULDER THAT IS CLOSED.
- PLACE DRUMS IN THE SHOULDER TAPER AT THE MAXIMUM SPACING EQUAL IN FEET TO THE POSTED SPEED LIMIT. THE MAXIMUM SPACING OF DRUMS ALONG THE WORK AREA AND BARRIER FLARE IS EQUAL IN FEET TO 2 TIMES THE POSTED SPEED LIMIT.
- FLARE THE APPROACH END OF PORTABLE CONCRETE BARRIER BEYOND THE SHOULDER AND USE A CRASH CUSHION FOR PROTECTION IF THE EXPOSED END OF THE BARRIER IS WITHIN THE "CLEAR ZONE".
- USE STATIONARY SIGNS FOR LONG TERM OPERATIONS (LONGER THAN 3 DAYS).
- REFER TO STD. 1101.11 SHEETS 1, 3, & 4, FOR "L" DISTANCE, BARRIER FLARE RATES, AND SIGN SPACING.

LEGEND

	TEMPORARY CRASH CUSHION
	PORTABLE CONCRETE BARRIER
	DRUM
	STATIONARY OR PORTABLE SIGN
	DIRECTION OF TRAFFIC FLOW

STATE OF NORTH CAROLINA
 DEPT. OF TRANSPORTATION
 DIVISION OF HIGHWAYS
 RALEIGH, N.C.

1-05

ENGLISH STANDARD DRAWING FOR
TEMPORARY SHOULDER CLOSURES

SHEET 1 OF 1
1101D04

19-AUG-2005 12:40 \\dot\dfsroot\groups-wz\tdccc\design\group4\resur\facng\div03\15b\div3\top\15b\l\to_top_5_shoulder_closures05.dgn
 psey@more AT WZTC206427

APPROVED:	DATE: 02/22/05	REPLACEMENT DETAIL FOR RSD 1101.04	
SCALE: NONE	DATE: 11/04		REVISIONS
DWG. BY: PS	DESIGN BY: JPG		08/05
REVIEWED BY: MMM			