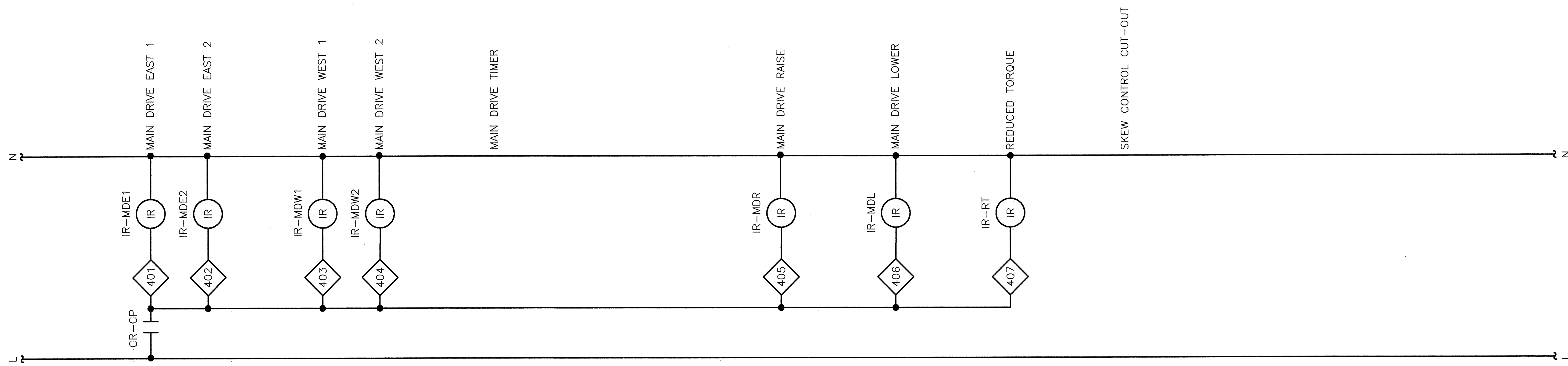
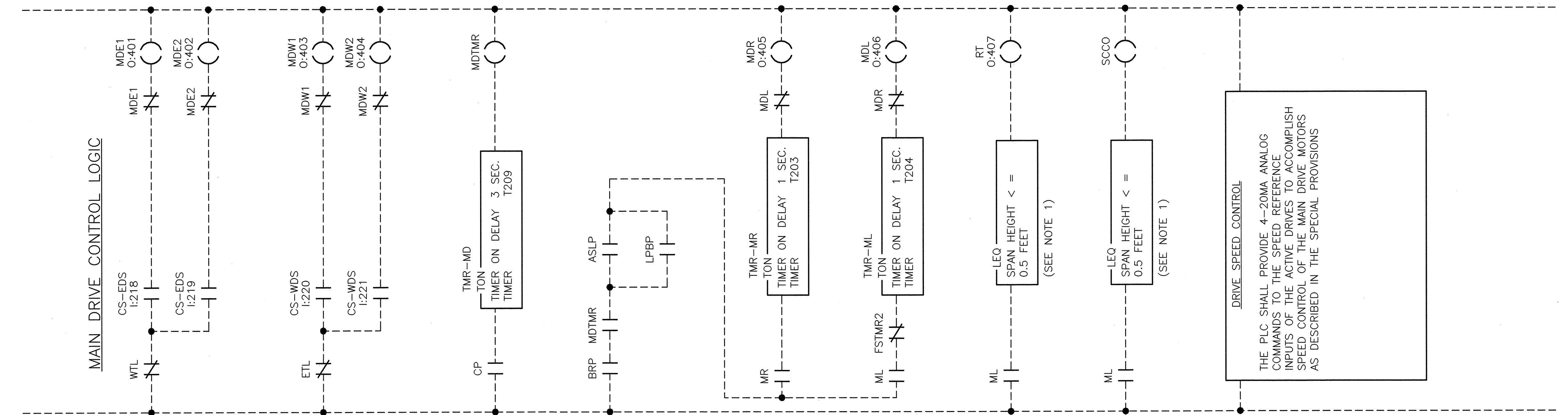


HARDWIRED OUTPUTS



INTERNAL PLC LOGIC



HARDWIRED INPUTS



DRIVE SPEED CONTROL
 THE PLC SHALL PROVIDE 4-20MA ANALOG COMMANDS TO THE SPEED REFERENCE INPUTS OF THE ACTIVE DRIVES TO ACCOMPLISH SPEED CONTROL OF THE MAIN DRIVE MOTORS AS DESCRIBED IN THE SPECIAL PROVISIONS

STATE OF NORTH CAROLINA
 DEPARTMENT OF TRANSPORTATION
 RALEIGH

CAPE FEAR RIVER CROSSING
 WILMINGTON, NORTH CAROLINA

CONTROL CIRCUIT - 6

DESIGNED	G.L. FASICK	DATE	APRIL, 2005
CHECKED	N.E. ALGER	DRAWING NO.	20 OF 53
DRAWN BY	R.L. REED	SCALE	NONE
DATE	APRIL, 2005		

