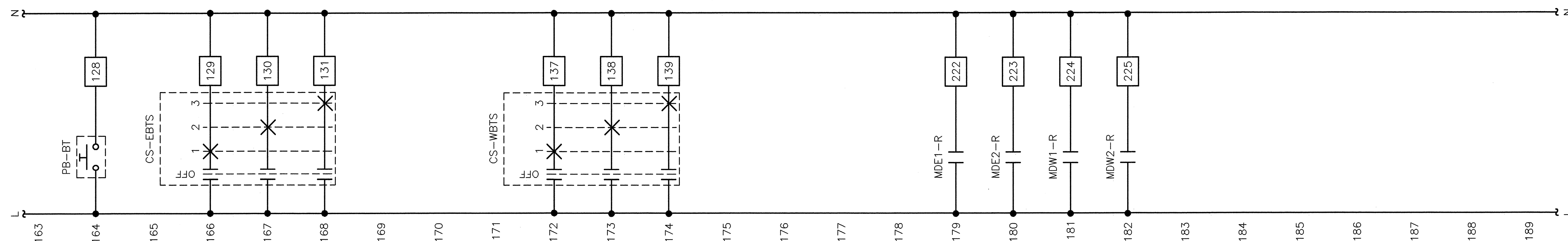
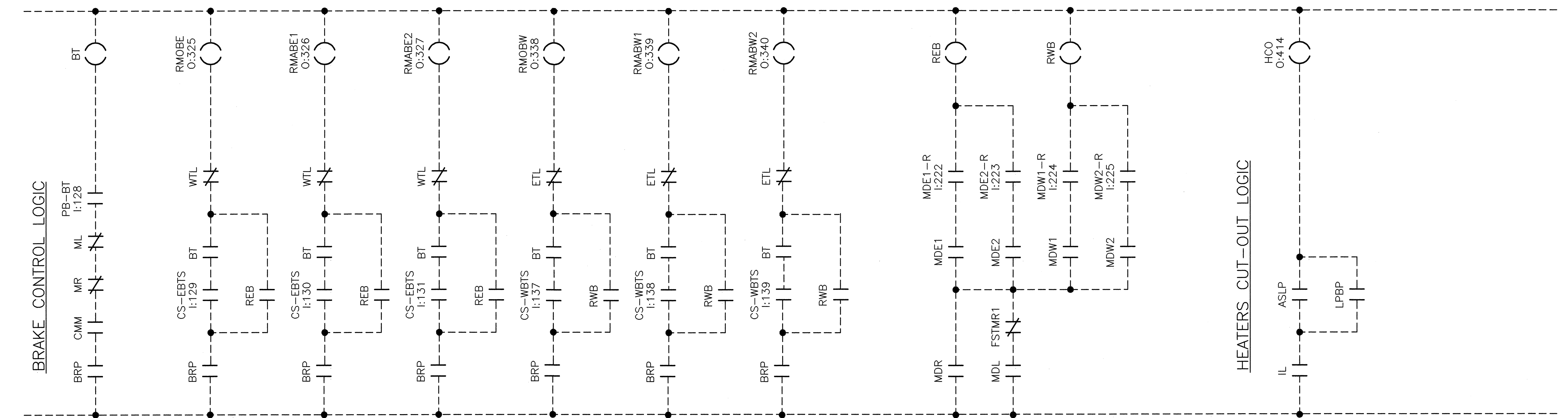


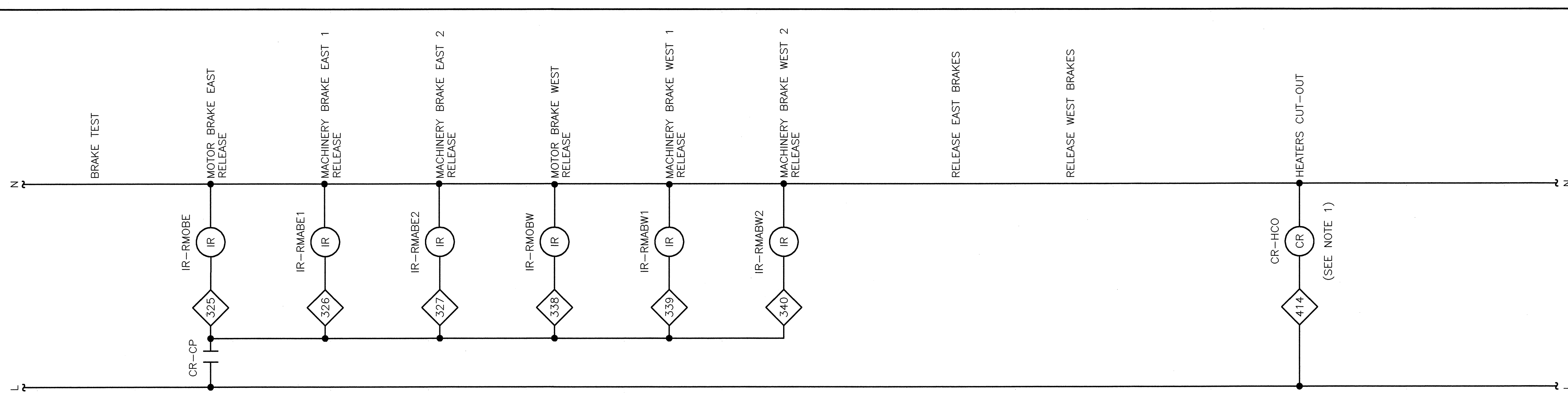
HARDWIRED INPUTS



INTERNAL PLC LOGIC



HARDWIRED OUTPUTS



NOTES:

1. INTERFACE WITH HEATER CONTACTORS CONTROL CIRCUITS.



STATE OF NORTH CAROLINA			
DEPARTMENT OF TRANSPORTATION			
RALEIGH			
CAPE FEAR RIVER CROSSING			
WILMINGTON, NORTH CAROLINA			
CONTROL CIRCUIT - 7			
DESIGNED	G.L. FASICK	DATE	APRIL, 2005
CHECKED	N.E. ALGER	DRAWING NO.	21 OF 53
DRAWN BY	R.L. REED	SCALE	NONE