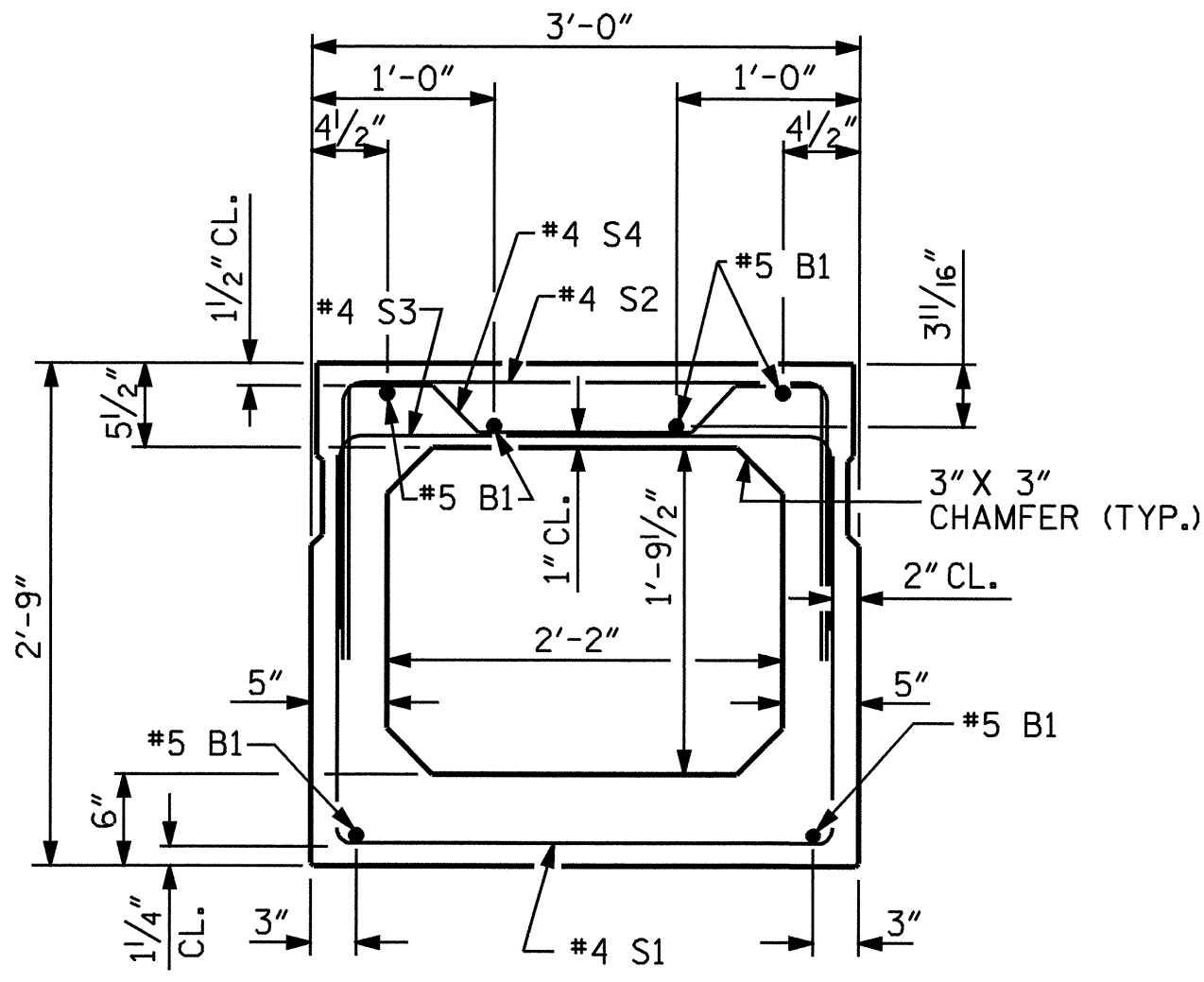


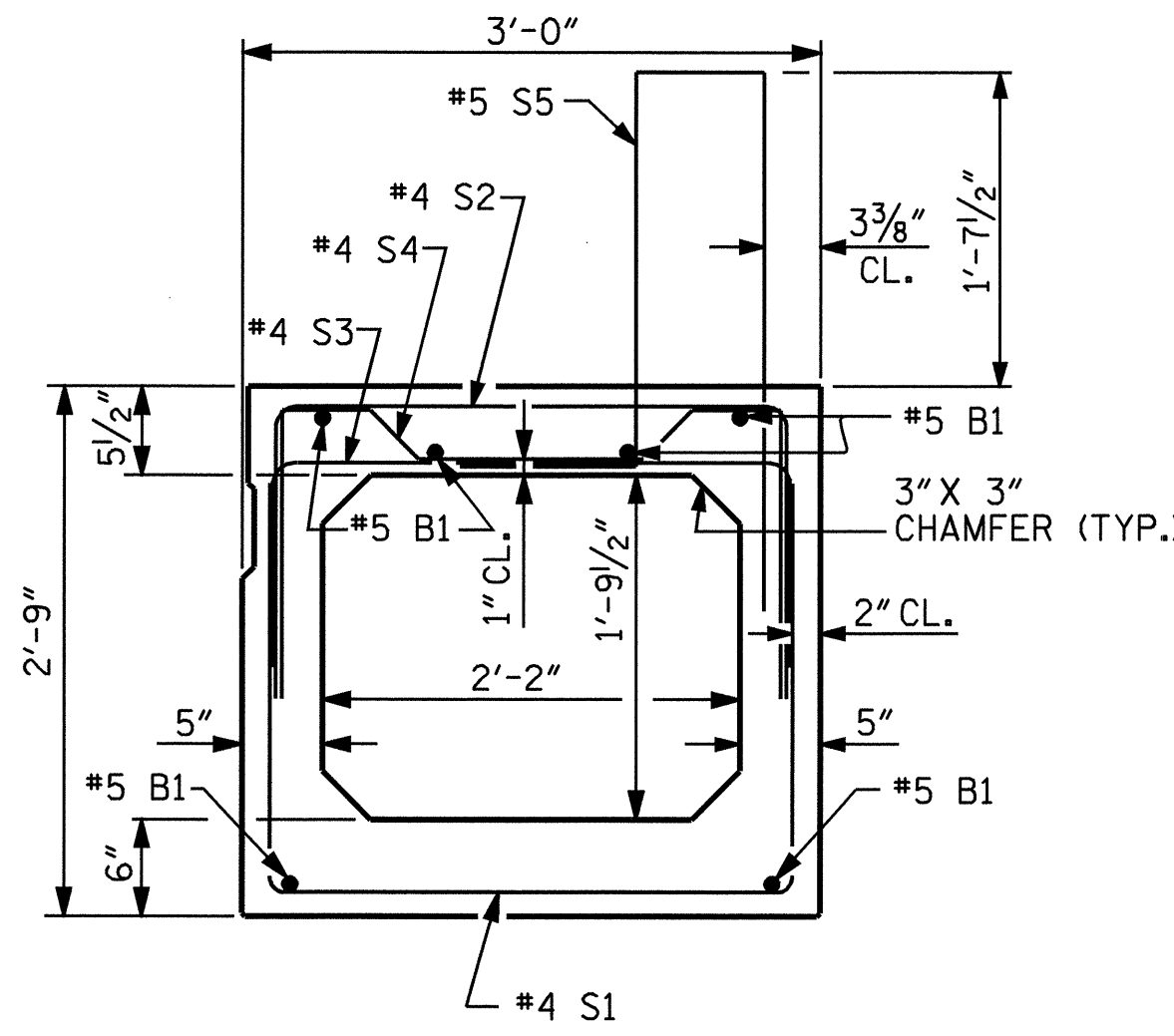
END ELEVATION

SHOWING PLACEMENT OF #5 & #4 "A" BARS AND LOCATION OF DOWEL HOLES. (INTERIOR BOX BEAM SECTION SHOWN-EXTERIOR SECTION SIMILAR EXCEPT SHEAR KEY LOCATION. STRAND LAYOUT NOT SHOWN.)



INTERIOR BOX BEAM SECTION

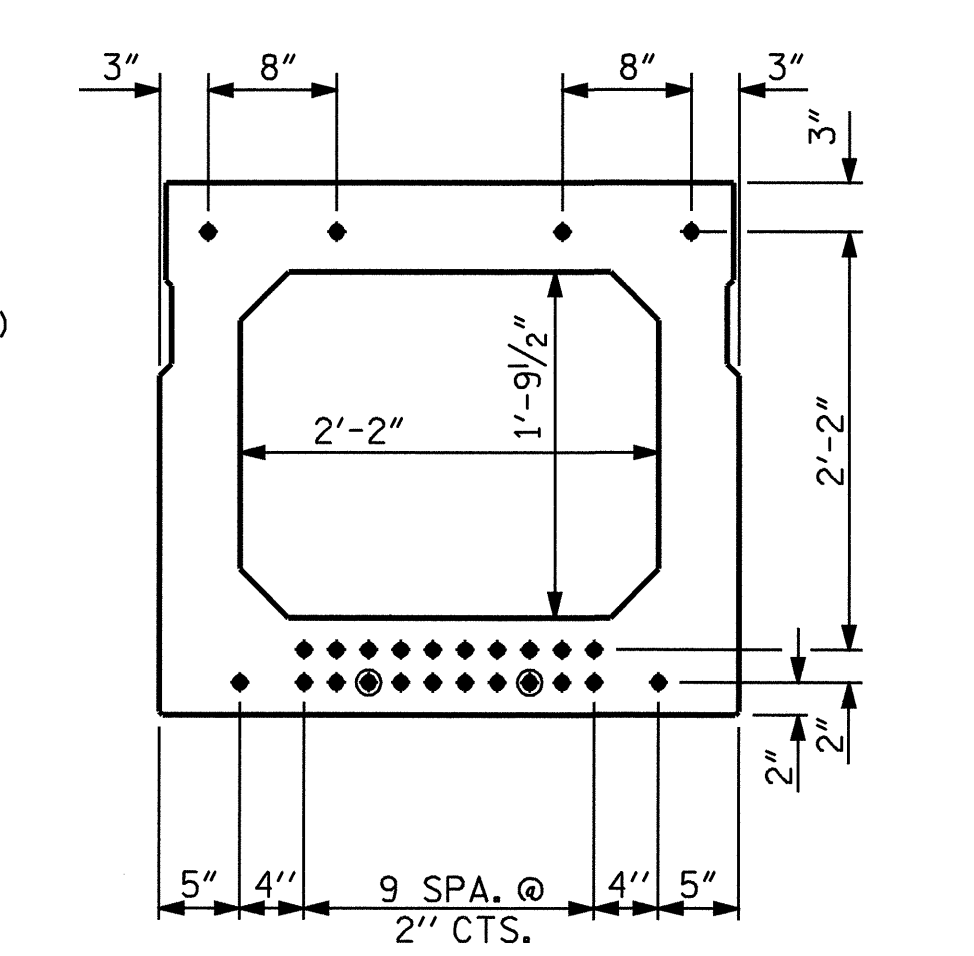
(STRAND LAYOUT NOT SHOWN)



EXTERIOR BOX BEAM SECTION

(STRAND LAYOUT NOT SHOWN)

0.6" Ø LOW RELAXATION STRAND LAYOUT



TYPICAL STRAND LOCATION

(26 STRANDS REQUIRED)

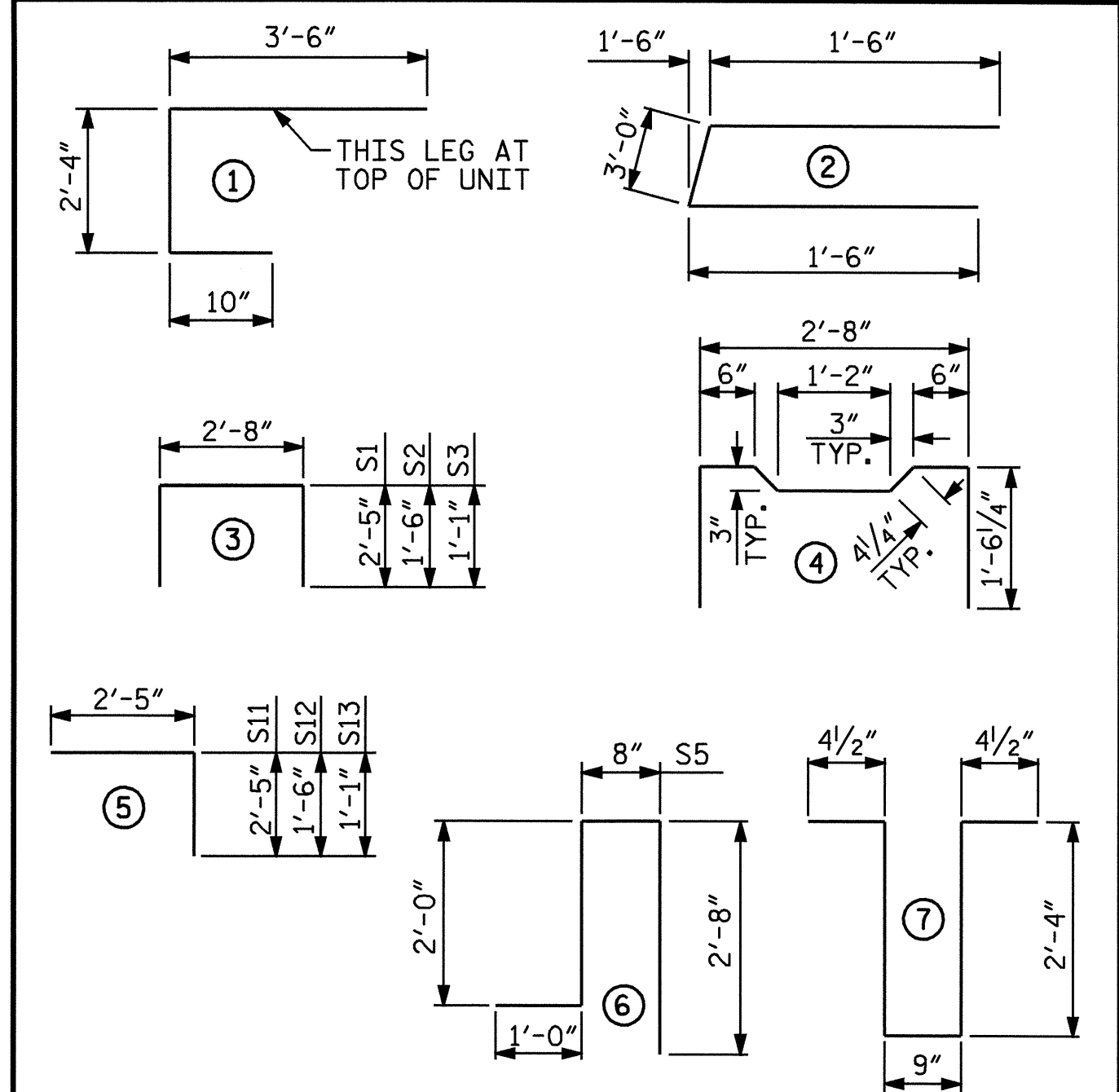
(INTERIOR BOX BEAM SECTION SHOWN-EXTERIOR SECTION SIMILAR EXCEPT SHEAR KEY LOCATION)

DEBONDING LEGEND

- FULLY BONDED STRANDS
- STRANDS DEBONDED FOR 6'-0" FROM END OF GIRDER

GRADE 270 STRANDS	
	0.6" Ø L.R.
AREA (SQUARE INCHES)	0.217
ULTIMATE STRENGTH (LBS. PER STRAND)	58,600
APPLIED PRESTRESS (LBS. PER STRAND)	43,950

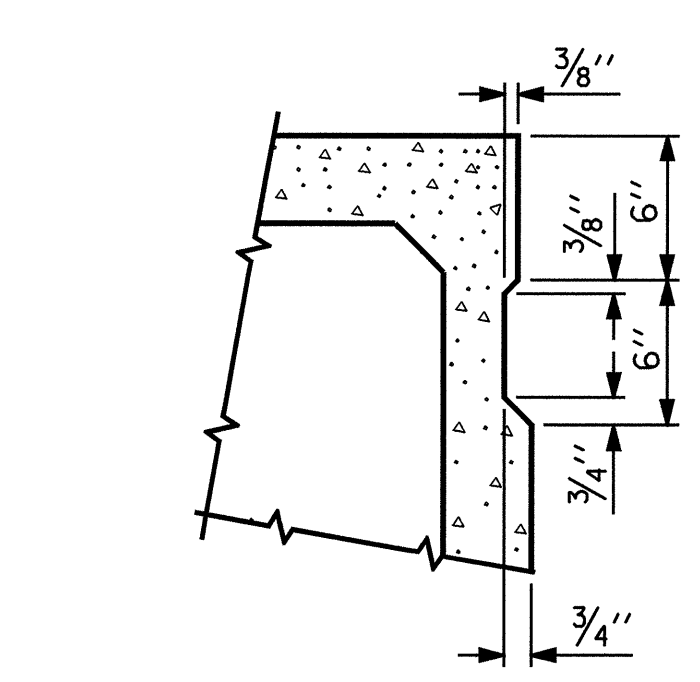
BAR TYPES



ALL BAR DIMENSIONS ARE OUT TO OUT

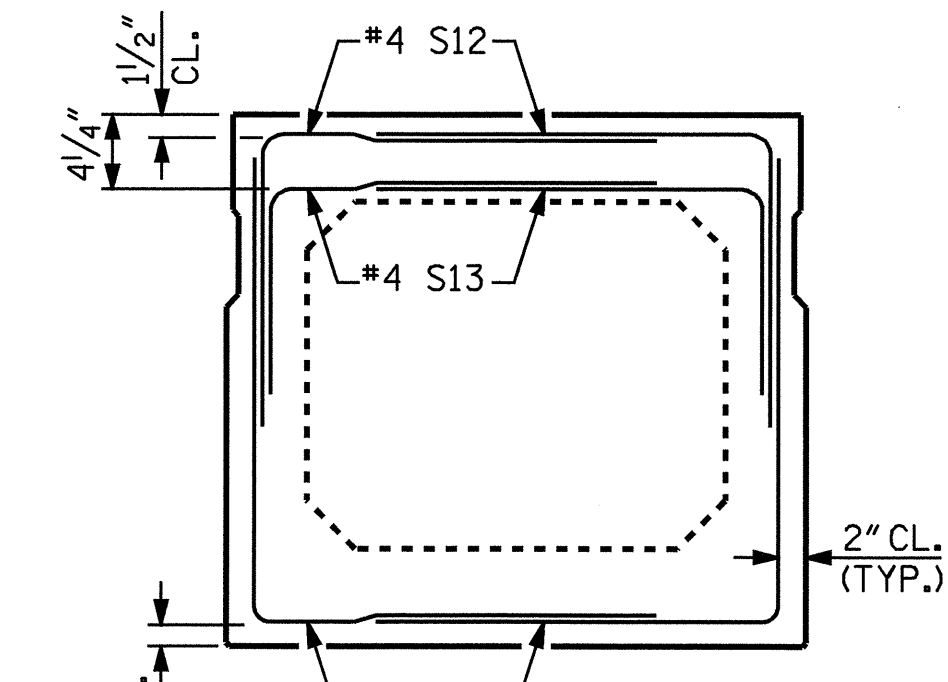
BILL OF MATERIAL FOR ONE BOX BEAM SECTION

BAR	NUMBER	SIZE	TYPE	EXTERIOR UNIT		INTERIOR UNIT	
				LENGTH	WEIGHT	LENGTH	WEIGHT
A1	10	#5	1	6'-8"	70	6'-8"	70
A2	40	#4	2	6'-0"	160	6'-0"	160
B1	12	#5	STR	45'-8"	572	45'-8"	572
K1	15	#4	7	6'-2"	62	6'-2"	62
K2	10	#4	STR	2'-7"	17	2'-7"	17
S1	61	#4	3	7'-6"	306	7'-6"	306
S2	61	#4	3	5'-8"	231	5'-8"	231
S3	113	#4	3	4'-10"	365	4'-10"	365
S4	52	#4	4	5'-11"	206	5'-11"	206
*S5	88	#5	6	6'-4"	581		
S11	28	#4	5	4'-10"	90	4'-10"	90
S12	28	#4	5	3'-11"	73	3'-11"	73
S13	28	#4	5	3'-6"	65	3'-6"	65
REINFORCING STEEL				2217 LBS.		2217 LBS.	
*EPOXY COATED REINF. STEEL				581 LBS.			
6500 P.S.I. CONCRETE				16.0 CU. YDS.		15.8 CU. YDS.	
0.6" Ø L.R. STRANDS				No. 26		No. 26	



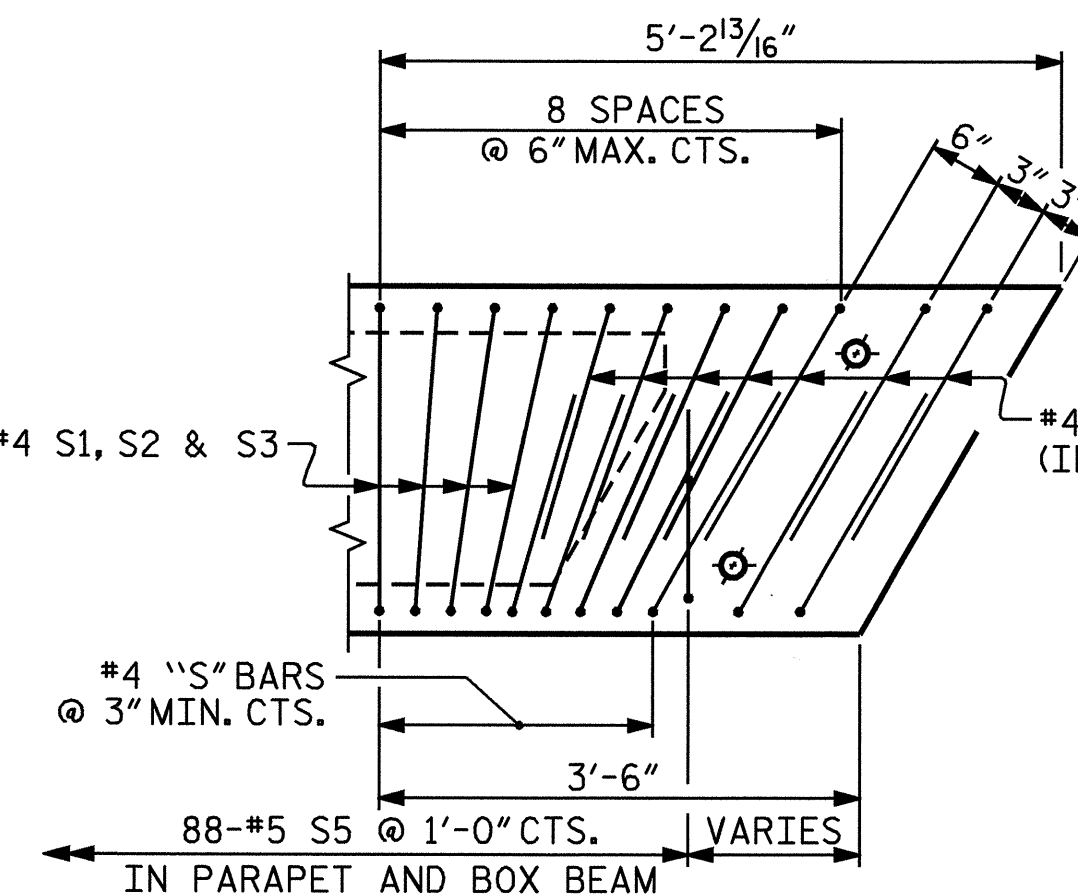
SHEAR KEY DETAIL

NOTE: OMIT SHEAR KEY ON OUTSIDE FACE OF EXTERIOR BOX BEAMS.



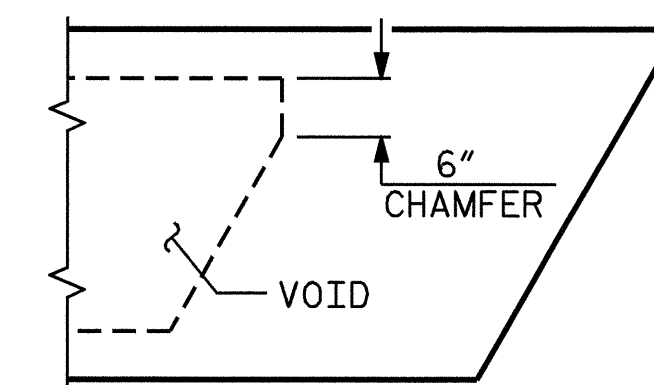
END VIEW

(SHOWING #4 "S" BARS IN END OF BEAM)



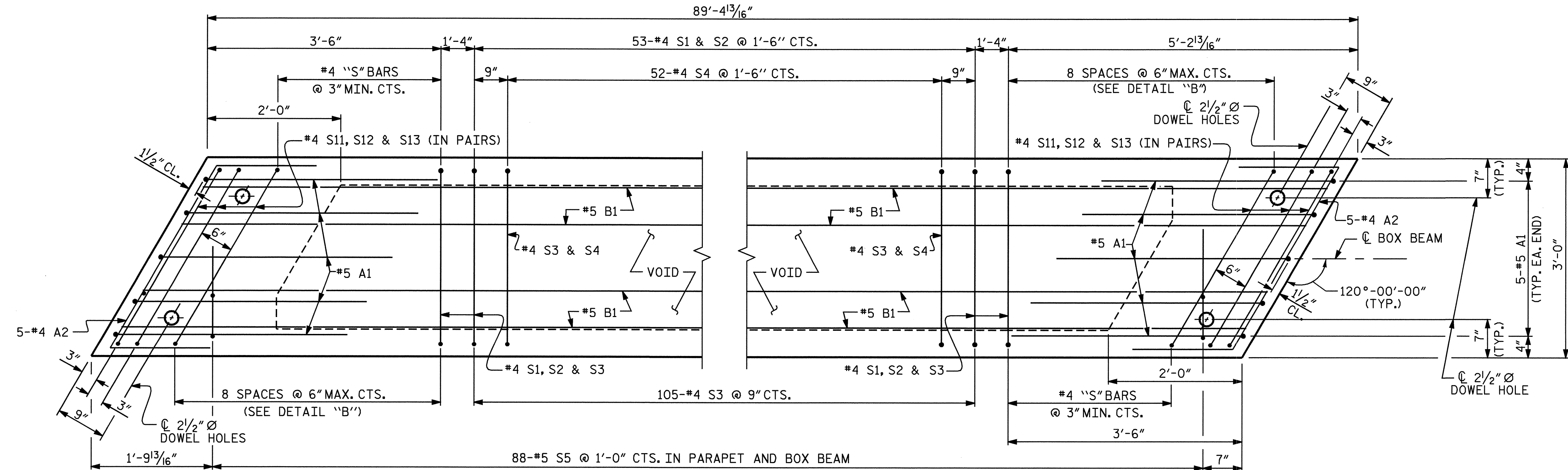
DETAIL "B"

EXTERIOR UNIT SHOWN, INTERIOR UNIT SIMILAR EXCEPT OMIT #5 S5 BARS. "B" BARS AND "A" BARS NOT SHOWN.



CHAMFER DETAIL

SHOWING 6" VOID CHAMFER



PLAN OF BOX BEAM

EXTERIOR UNIT SHOWN, INTERIOR UNIT SIMILAR EXCEPT OMIT #5 S5 BARS. FOR LOCATION OF DIAPHRAGMS, SEE PLAN OF SPANS. FOR REINFORCING STEEL IN DIAPHRAGMS, SEE DIAPHRAGM DETAILS.

ASSEMBLED BY : T. A. HARRIS	DATE : 7/20/05
CHECKED BY : T. L. CLELLAND	DATE : 7/20/05
DRAWN BY : TLA 3/05	ADDED 7/11/05
CHECKED BY : G.M. 6/05	

08-AUG-2005 12:37
R:\Structures\B3205\Taharris\Microstation\B-3205.ed_01.01.dgn
Taharris



PROJECT NO. B-3205
MADISON COUNTY
STATION: 14+81.00 -L-

SHEET 1 OF 2

STATE OF NORTH CAROLINA
DEPARTMENT OF TRANSPORTATION
RALEIGH
STANDARD
3'-0" X 2'-9"
PRESTRESSED CONCRETE
BOX BEAM UNIT
SPAN A

REVISIONS						SHEET NO.
NO.	BY:	DATE:	NO.	BY:	DATE:	S-6
1			3			TOTAL SHEETS 21
2			4			

STD. NO. PCBB4