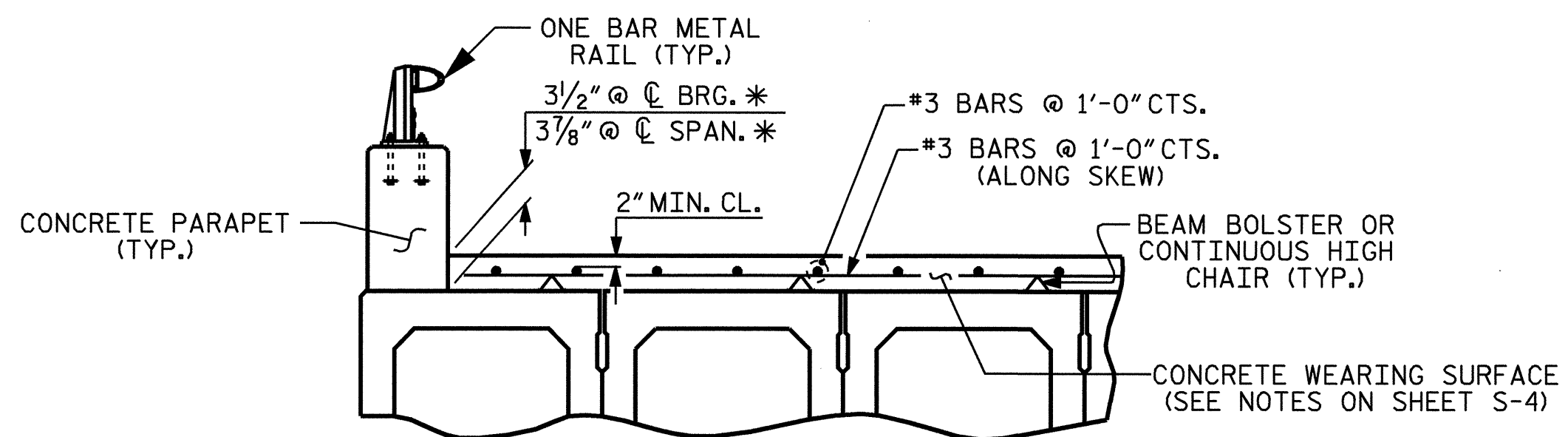


BOX BEAM UNITS REQUIRED			
	NUMBER	LENGTH	TOTAL LENGTH
SPAN A	10	89'-4 ¹³ / ₁₆ "	894'-0 ¹ / ₈ "
TOTAL	10		894'-0 ¹ / ₈ "

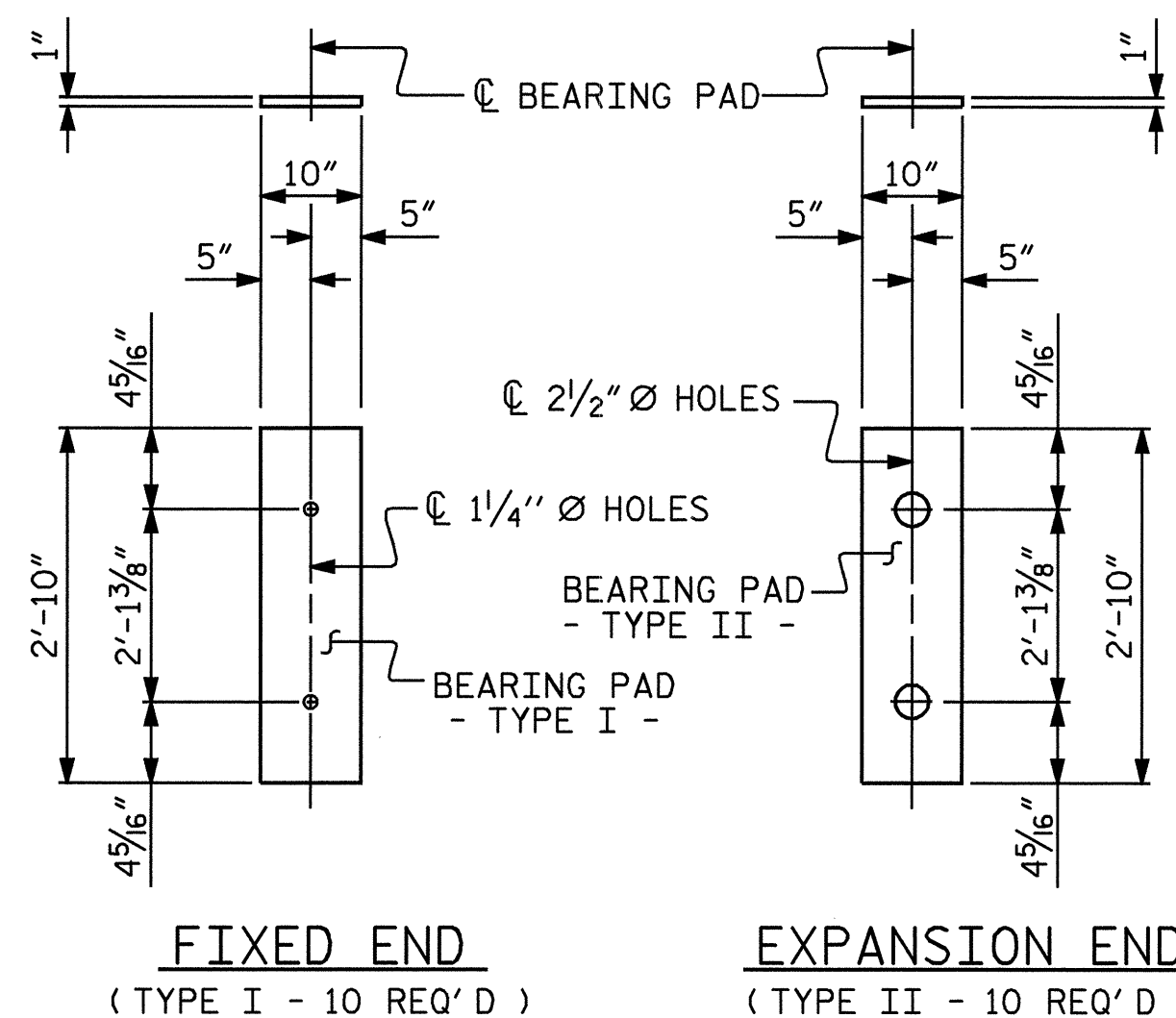
GROOVING BRIDGE FLOORS	
APPROACH SLABS	712 SQ.FT.
BRIDGE DECK	2211 SQ.FT.
TOTAL	2923 SQ.FT.

SPLICE LENGTH CHART	
BAR SIZE	UNCOATED
#3	1'-0"



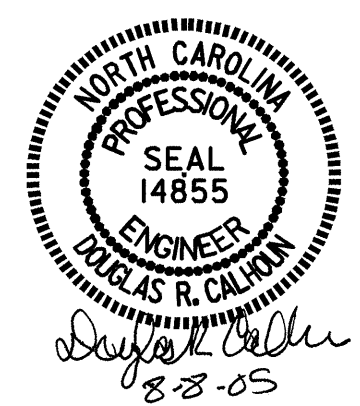
REINFORCING FOR CONCRETE WEARING SURFACE
* BASED ON PREDICTED CAMBER AND VERTICAL CURVE ORDINATE

CONCRETE WEARING SURFACE	EPOXY COATED REINFORCING STEEL (FOR WEARING SURFACE)
SQ. FT.	APPROX. LBS.
2488	2083



ELASTOMERIC BEARING DETAILS
ALL BEARINGS ARE 60 DUROMETER HARDNESS

PROJECT NO. B-3205
MADISON COUNTY
STATION: 14+81.00 -L-



STATE OF NORTH CAROLINA DEPARTMENT OF TRANSPORTATION RALEIGH					
3'-0" X 2'-9" PRESTRESSED CONCRETE BOX BEAM UNIT					
REVISIONS					SHEET NO.
NO.	BY:	DATE:	NO.	BY:	DATE:
1			3		
2			4		
					TOTAL SHEETS 21

ASSEMBLED BY : T. A. HARRIS	DATE : 7/20/05
CHECKED BY : T. L. CLELLAND	DATE : 7/20/05
DRAWN BY : TLA 3/05	ADDED : 7/11/05
CHECKED BY : G.M. 6/05	