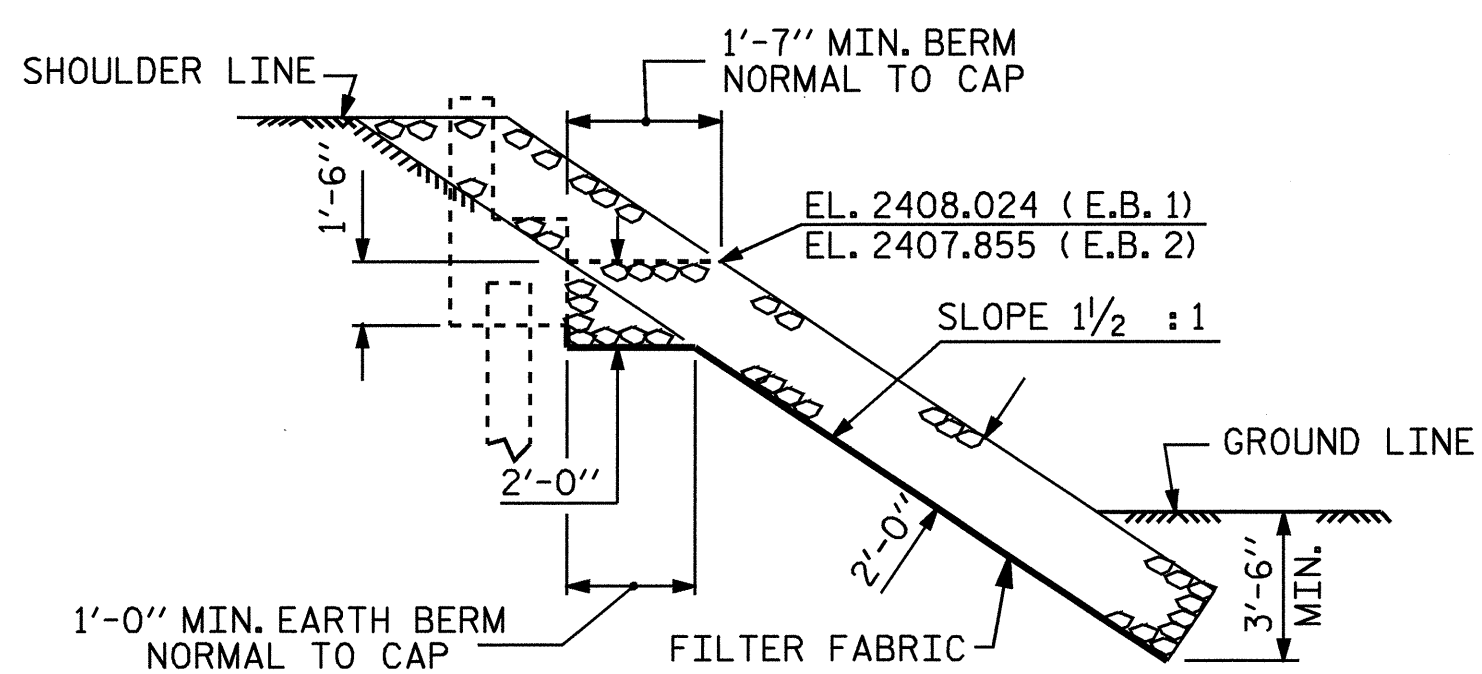


END BENT 1

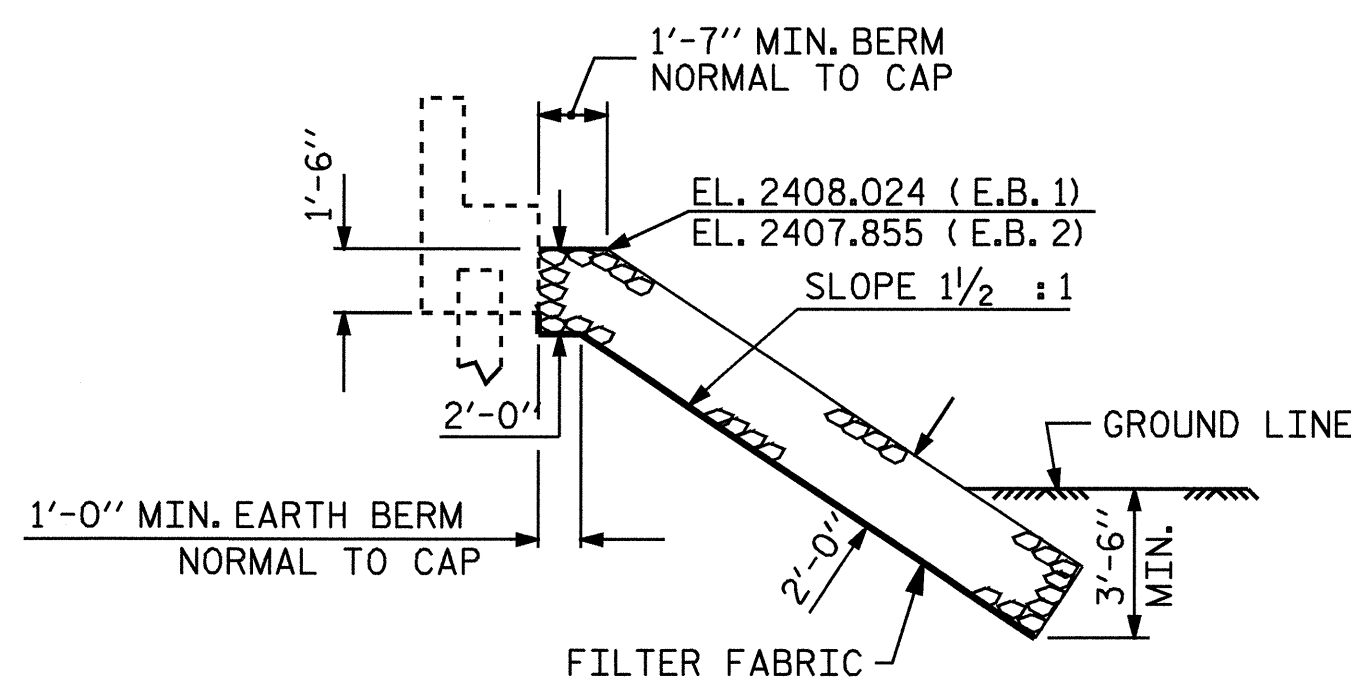
END BENT 2

PLAN OF RIP RAP

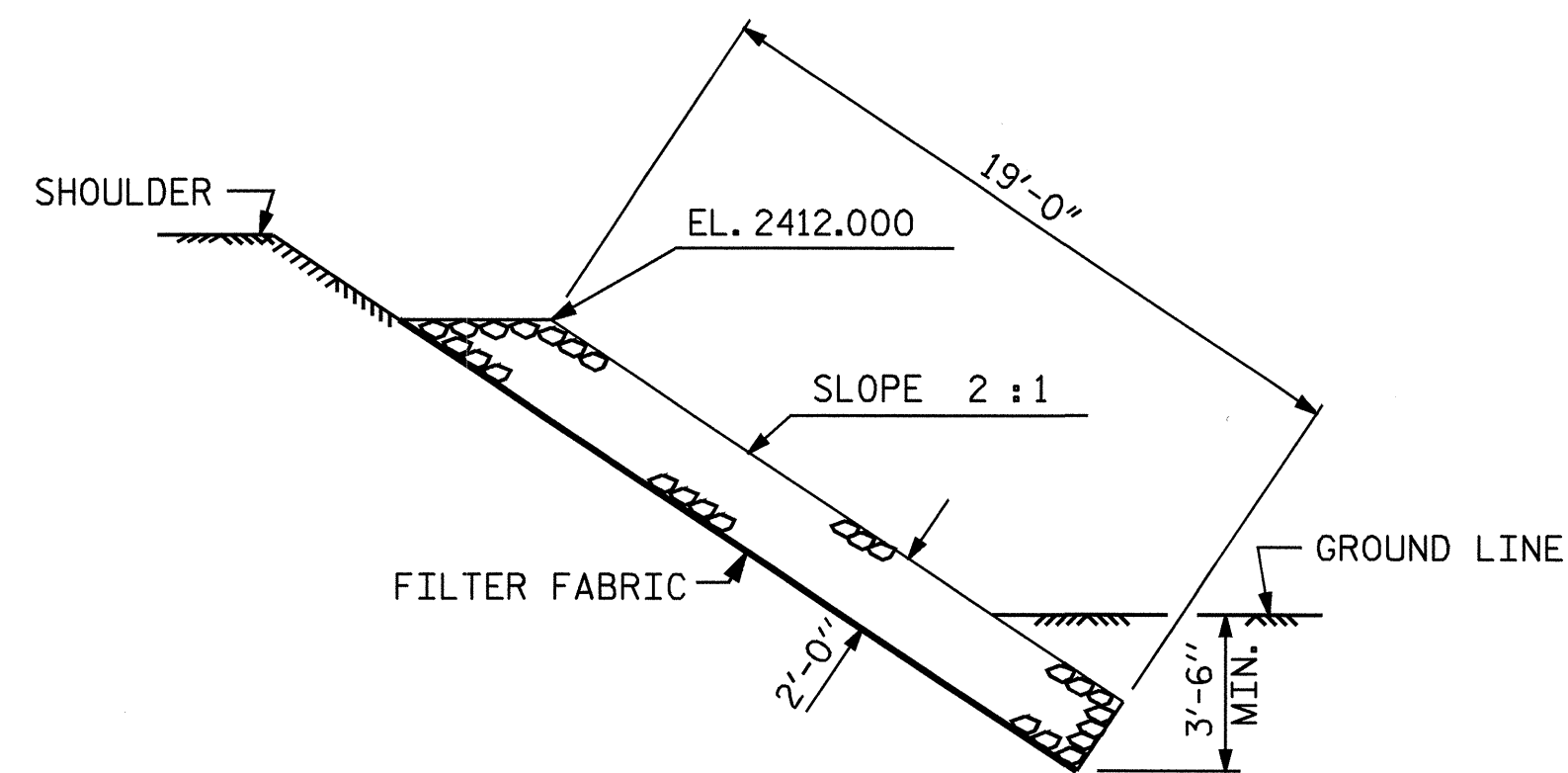
ESTIMATED QUANTITIES		
BRIDGE @ STA. 14+81.00 -L-	PLAIN RIP RAP CLASS II	FILTER FABRIC FOR DRAINAGE
	TONS	SQUARE YARDS
END BENT 1	63	70
END BENT 2	98	109



SECTION H-H



SECTION C-C



SECTION C-C

PROJECT NO. B-3205
MADISON COUNTY
 STATION: 14+81.00 -L-

STATE OF NORTH CAROLINA
 DEPARTMENT OF TRANSPORTATION
 RALEIGH
 STANDARD
 = RIP RAP DETAILS =



ASSEMBLED BY : E. G. ALLEN DATE : 6-3-05
 CHECKED BY : T. A. HARRIS DATE : 6-16-05
 DRAWN BY : REK 1/84 REV. 7/17/98 REK/RWW
 CHECKED BY : RDU 1/84 REV. 8/16/99 RWW/LES
 REV. 10/17/00 RWW/LES

REVISIONS						SHEET NO. S-19
NO.	BY:	DATE:	NO.	BY:	DATE:	
1			3			TOTAL SHEETS 21
2			4			