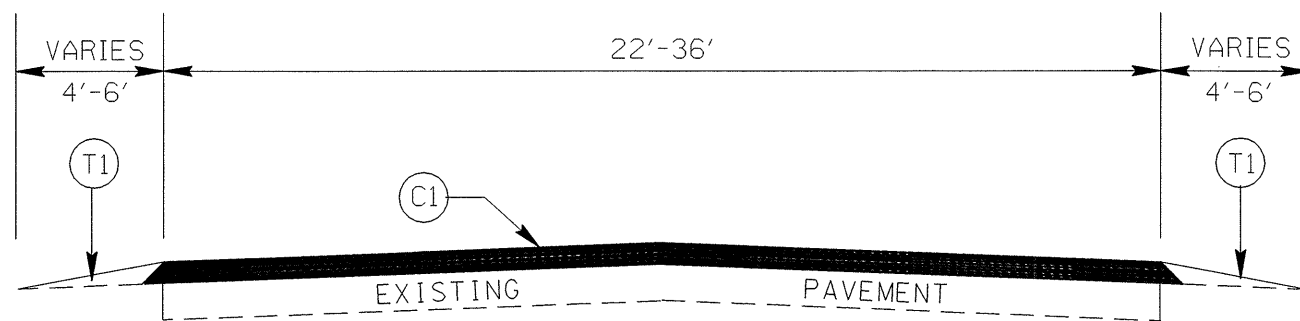
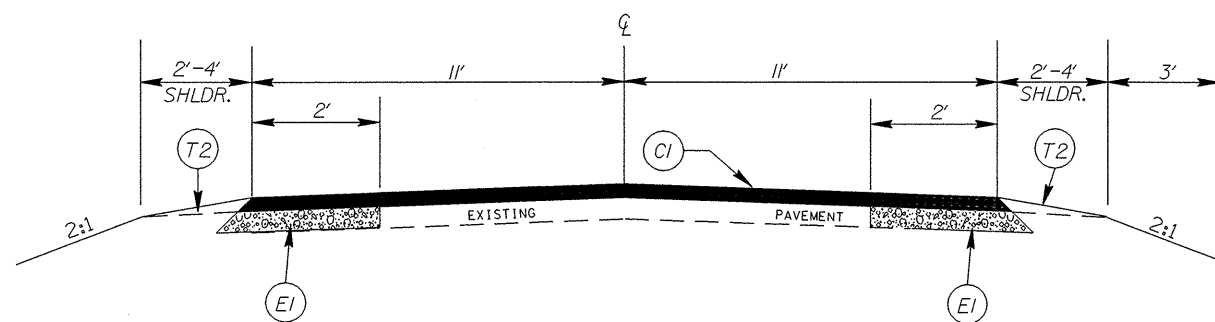


STATE	PROJECT NO.	SHEET NO.	TOTAL SHEETS
N.C.		4	
F.A. PROJECT NO.			

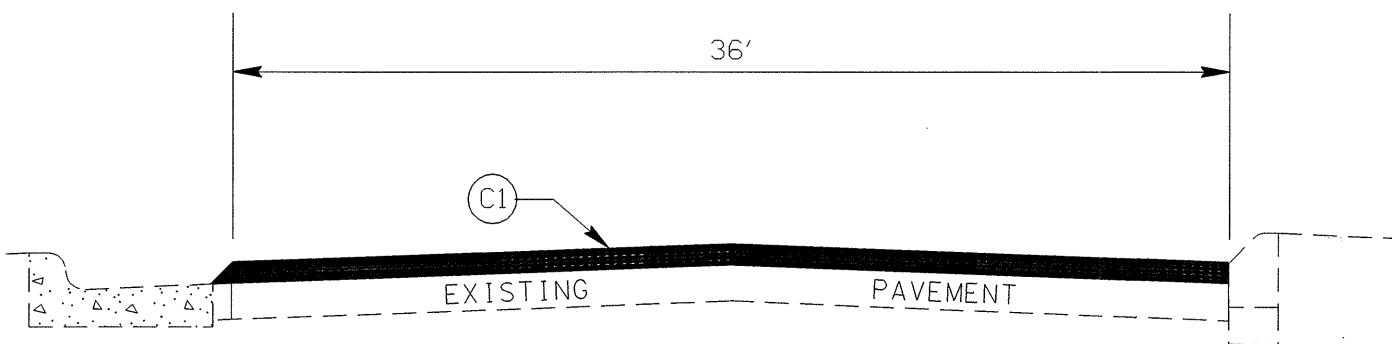
10CR.101031.2, ETC.



TYPICAL SECTION NO. 6



TYPICAL SECTION NO. 5



TYPICAL SECTION NO. 4

PAVEMENT SCHEDULE

(C1)	PROP. APPROX. 1.5" ASPHALT CONC. SURFACE COURSE, TYPE S9.5C, AT AN AVERAGE RATE OF 168 LBS. PER SQ. YD.
(E1)	PROP. APPROX. 5" ASPHALT CONC. BASE COURSE, TYPE B25.0C, AT AN AVERAGE RATE OF 570 LBS. PER SQ. YD.
(T1)	SHOULDER RECONSTRUCTION
(T2)	SHOULDER CONSTRUCTION

NOTES: ON MAP \*6 DO NOT OVERLAY THE TURN LANES AT MAGNOLIA SPRINGS & MCMILLIAN DR.  
ON MAP \*9 MILL ACROSS THE EXISTING BRIDGE OVER ROCKY RIVER PRIOR TO RESURFACING.

CABARRUS COUNTY RESURFACING

SCALE	-NA-
DATE	
DWG. BY	TWB
DESIGN BY	
APPROVED	



REVISIONS	

13-OCT-2005 08:42:06 resurfacing\cabarrus\_county\cabarrus\_2006\cabarrus\_06.typ.dgn