

NOTES

FOR ELASTOMERIC BEARINGS, SEE SPECIAL PROVISIONS.

AT ALL FIXED POINTS OF SUPPORT, NUTS FOR ANCHOR BOLTS ARE TO BE TIGHTENED FINGER TIGHT AND THEN BACKED OFF 1/2 TURN. THE THREAD OF THE NUT AND BOLT SHALL THEN BE BURRED WITH A SHARP POINTED TOOL.

THE 2" Ø PIPE SLEEVE SHALL BE CUT FROM SCHEDULE 40 PVC PLASTIC PIPE. THE PVC PLASTIC PIPE SHALL MEET THE REQUIREMENTS OF ASTM D1785.

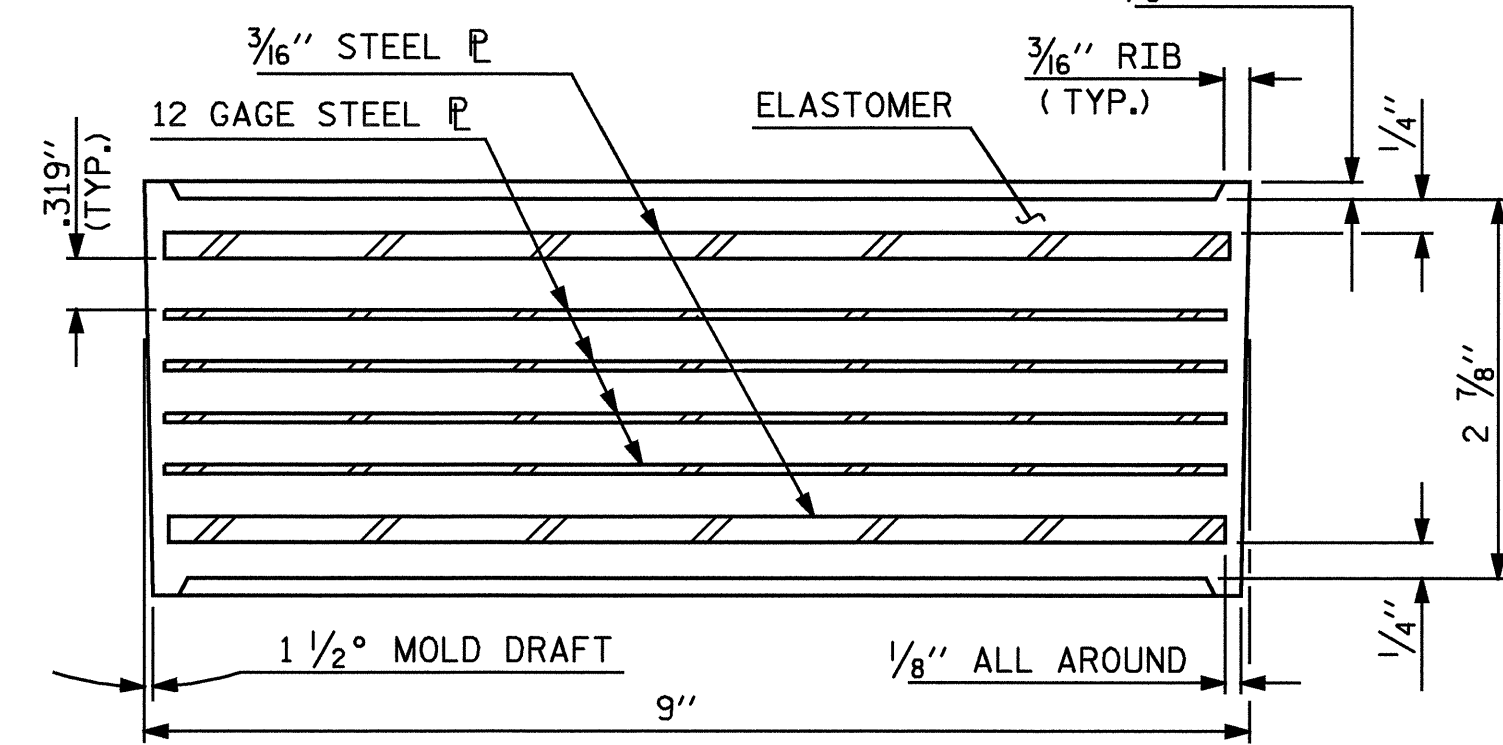
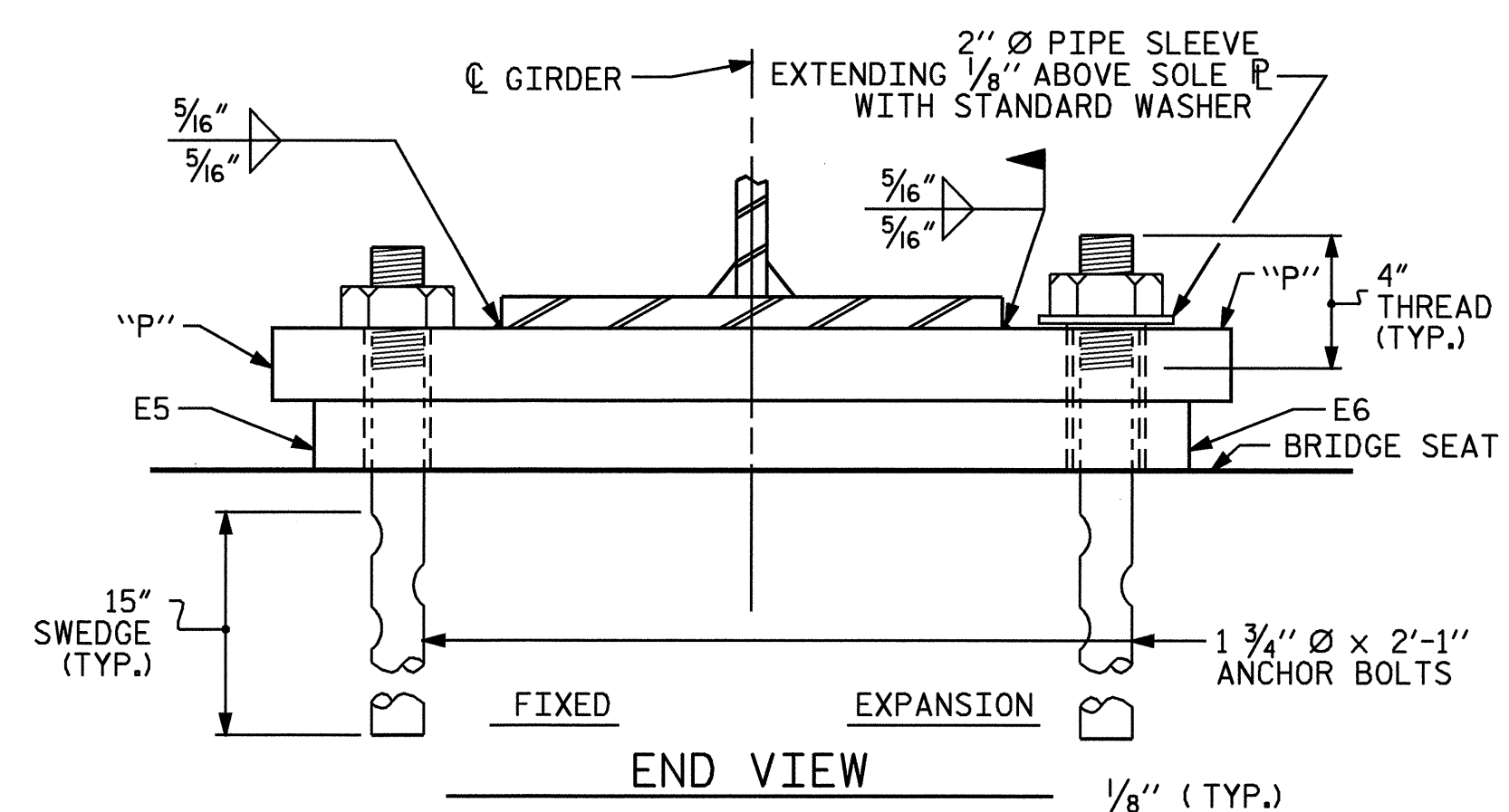
THE PAYMENT FOR THE PIPE SLEEVES SHALL BE INCLUDED IN THE SEVERAL PAY ITEMS.

FOR AASHTO M270 GRADE 50W STRUCTURAL STEEL, SOLE PLATE SHALL BE AASHTO M270 GRADE 50W AND SHALL NOT BE GALVANIZED. ANCHOR BOLTS, NUTS AND WASHERS SHALL BE GALVANIZED IN ACCORDANCE WITH THE STANDARD SPECIFICATIONS.

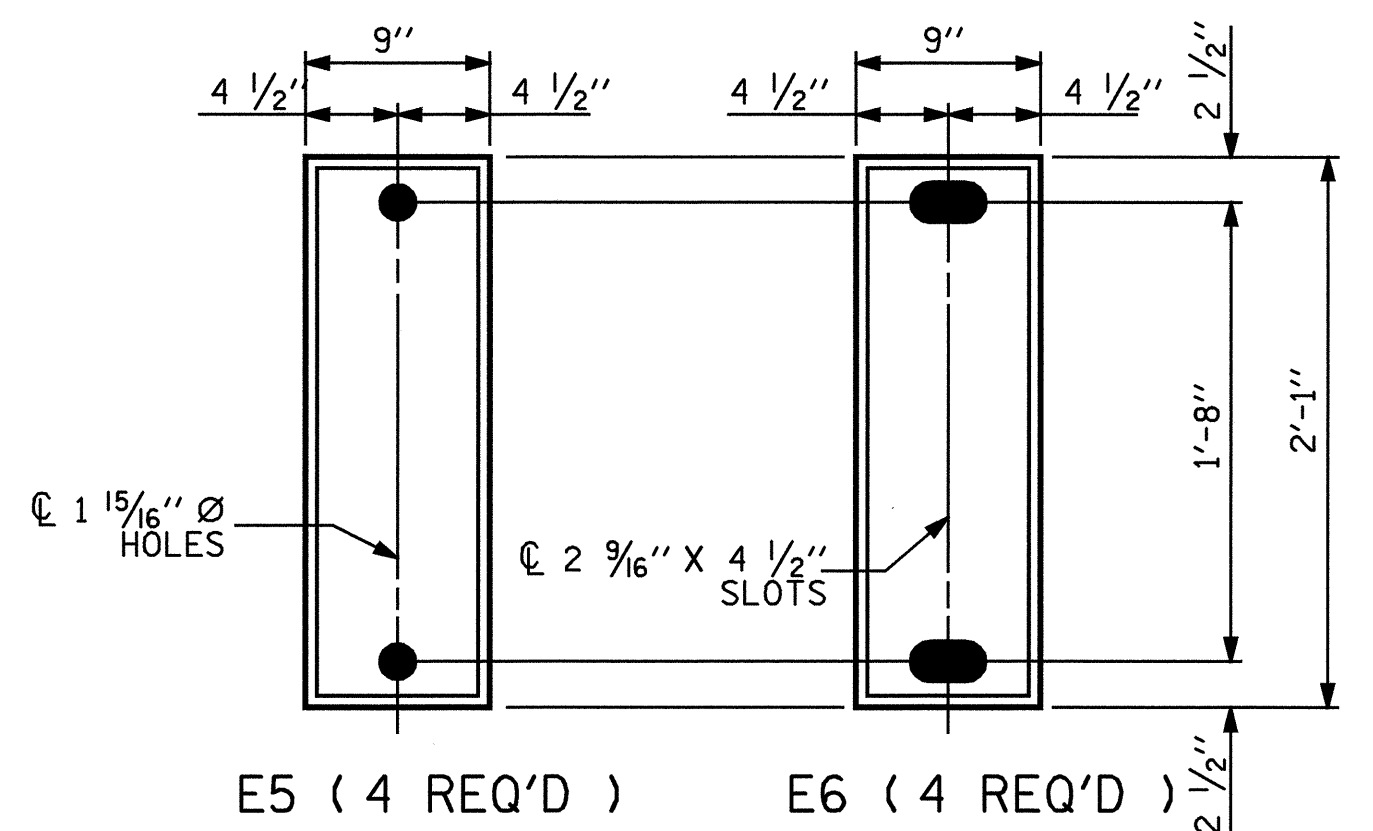
ANCHOR BOLTS SHALL MEET THE REQUIREMENTS OF ASTM A449. NUTS SHALL MEET THE REQUIREMENTS OF AASHTO M291-DH OR AASHTO M292-2H. WASHERS SHALL MEET THE REQUIREMENTS OF AASHTO M293. SHOP DRAWINGS ARE NOT REQUIRED FOR ANCHOR BOLTS, NUTS AND WASHERS. SHOP INSPECTION IS REQUIRED.

WHEN FIELD WELDING THE SOLE PLATE TO THE GIRDER FLANGE, USE TEMPERATURE INDICATING WAX PENS, OR OTHER SUITABLE MEANS, TO ENSURE THAT THE TEMPERATURE OF THE SOLE PLATE DOES NOT EXCEED 300°F. TEMPERATURES ABOVE THIS MAY DAMAGE THE ELASTOMER.

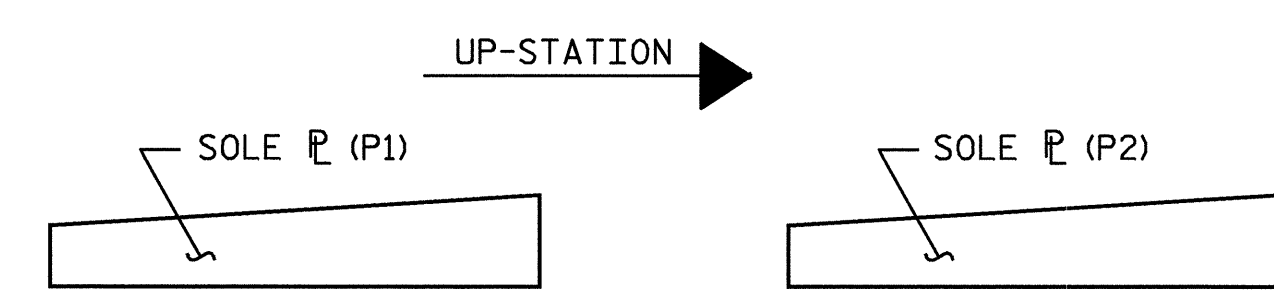
ALL SURFACES OF BEARING PLATES SHALL BE SMOOTH AND STRAIGHT.



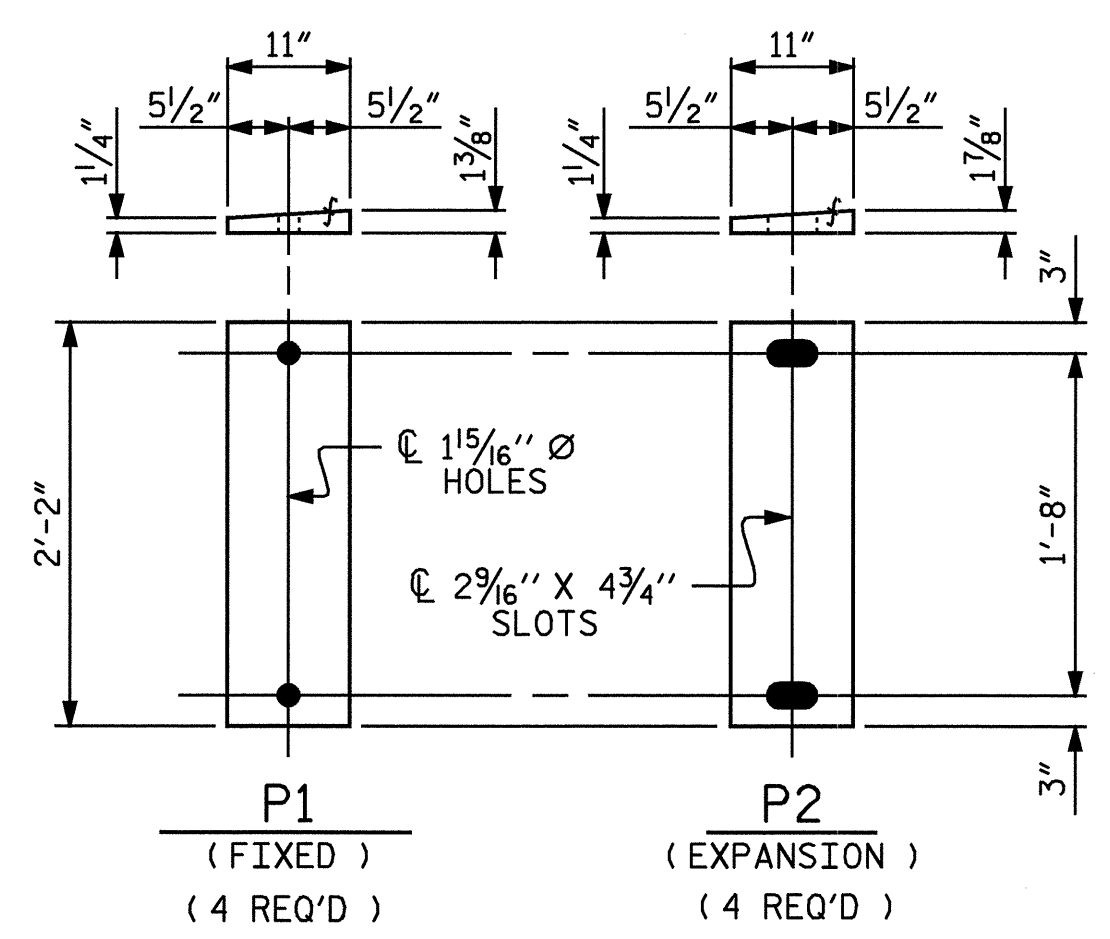
TYPICAL SECTION OF ELASTOMERIC BEARINGS



PLAN VIEW OF ELASTOMERIC BEARING
TYPE III



SOLE P PLACEMENT DETAIL



SOLE PLATE DETAILS (\"/>

-LOAD RATINGS-	
	MAX.D.L.+L.L.
TYPE III	144 K

PROJECT NO. B-3805
ASHE COUNTY
 STATION: 10+63.50 -L-



STATE OF NORTH CAROLINA DEPARTMENT OF TRANSPORTATION RALEIGH					
STANDARD ELASTOMERIC BEARING DETAILS (STEEL SUPERSTRUCTURE)					
FEB. 1988					
REVISIONS					
NO.	BY:	DATE:	NO.	BY:	DATE:
1			3		
2			4		
					SHEET NO. S-9
					TOTAL SHEETS 26

ASSEMBLED BY : T. A. HARRIS	DATE : 12/7/04
CHECKED BY : T. L. CLELLAND	DATE : 12/17/04
DRAWN BY : JMB 11/87	REV. 7/17/98 RWW/LES
CHECKED BY : ARB 11/87	REV. 8/16/99 MAB/LES
	REV. 10/17/00 RWW/LES