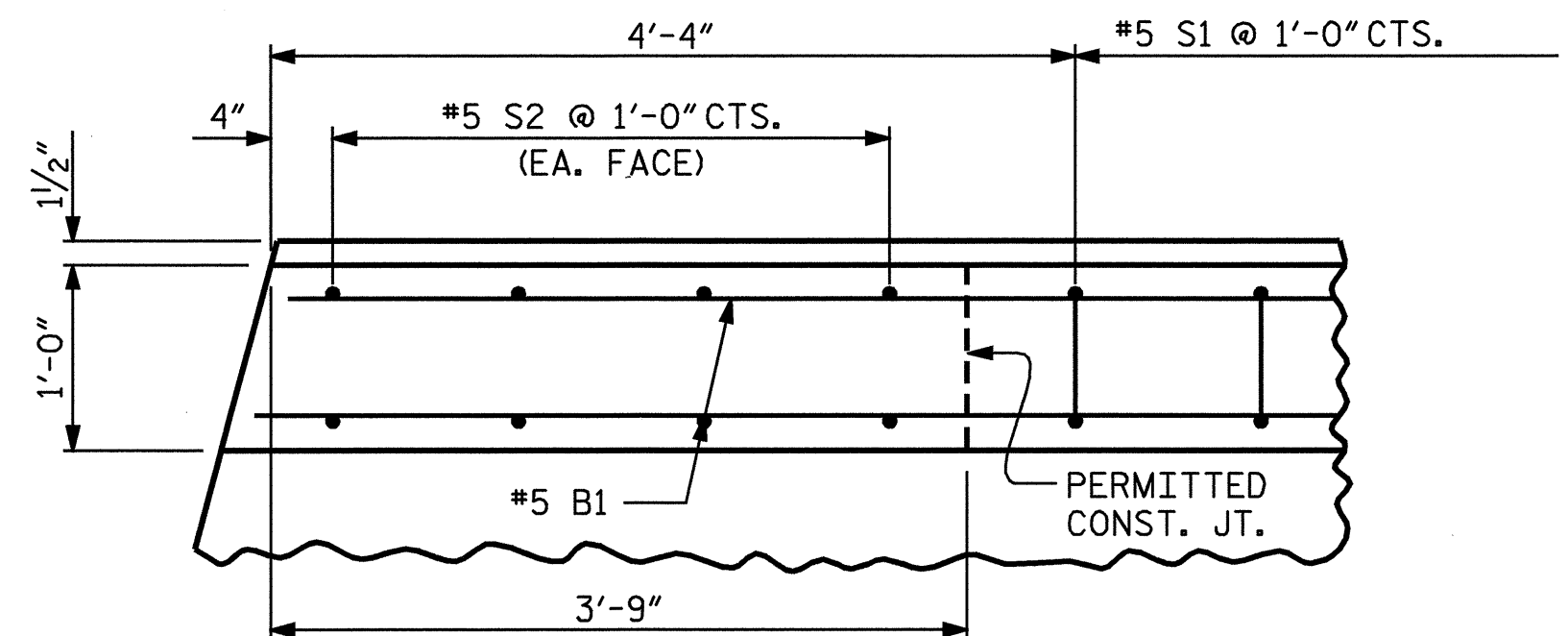
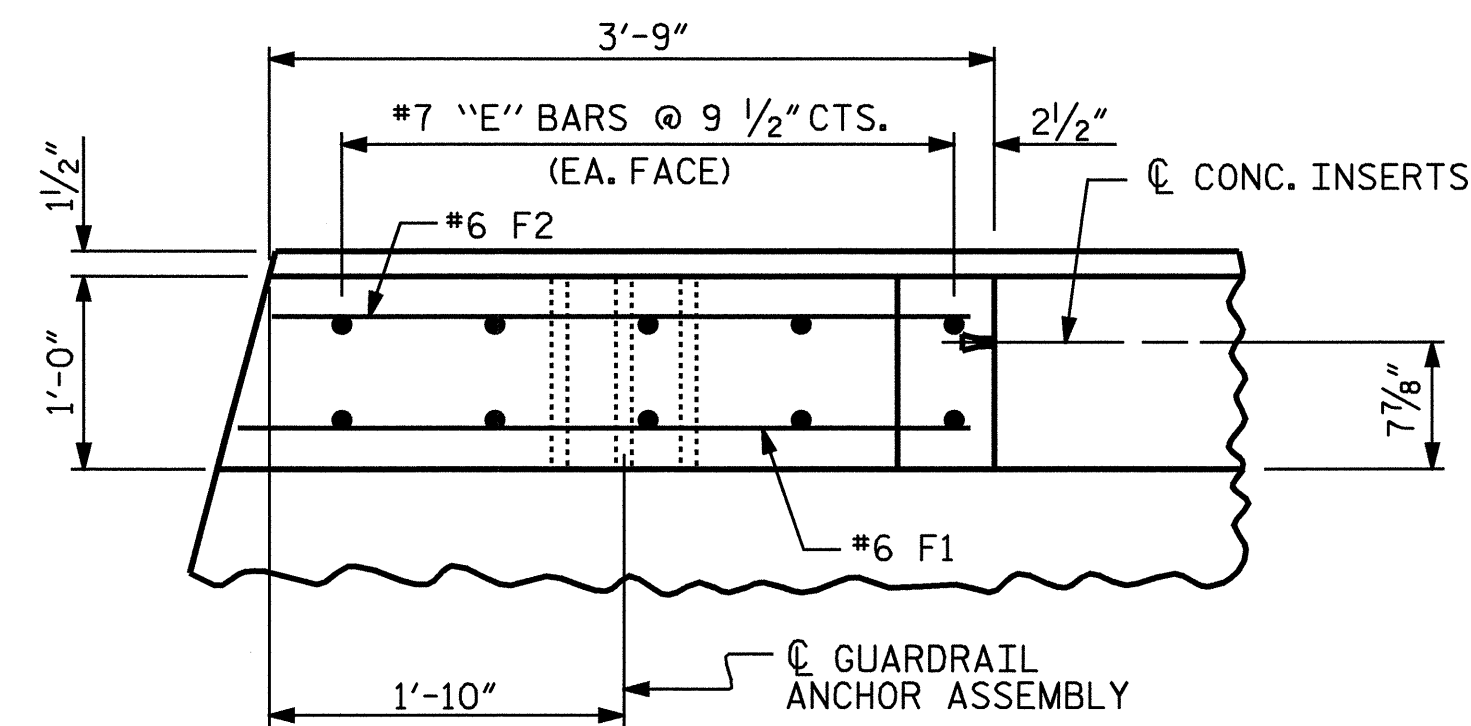


PLAN OF PARAPET

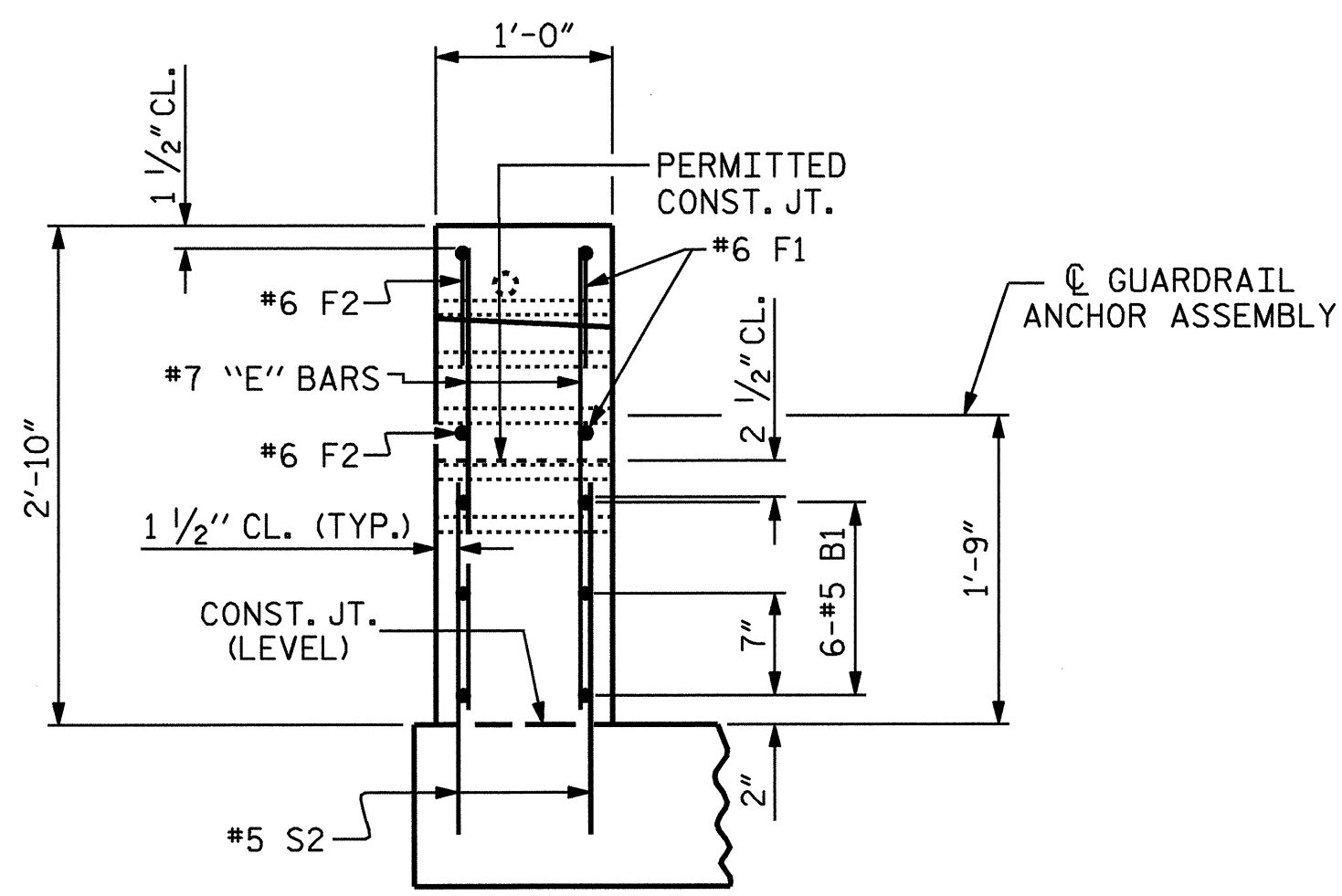
** SEE DETAILS FOR REINFORCING STEEL IN THIS AREA



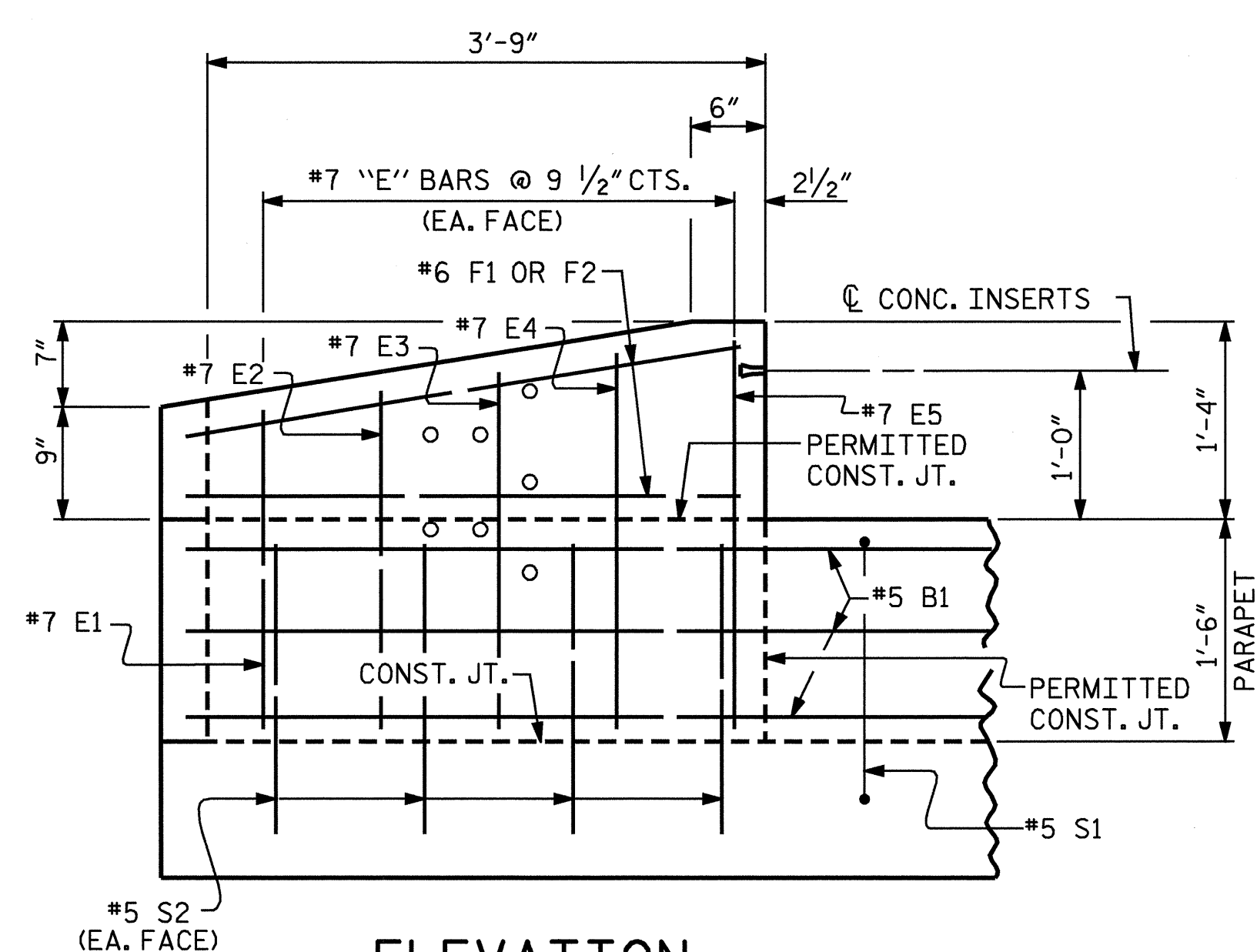
PLAN OF PARAPET



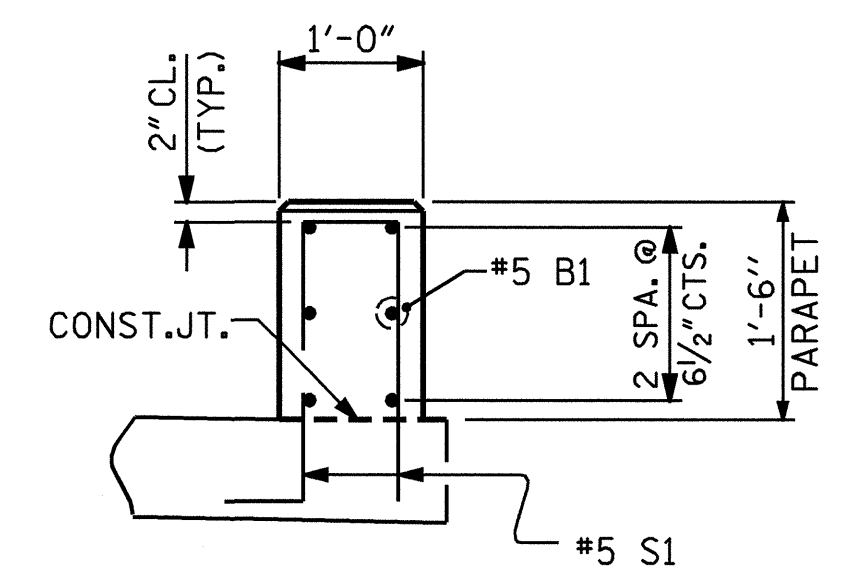
PLAN OF END POST



END VIEW

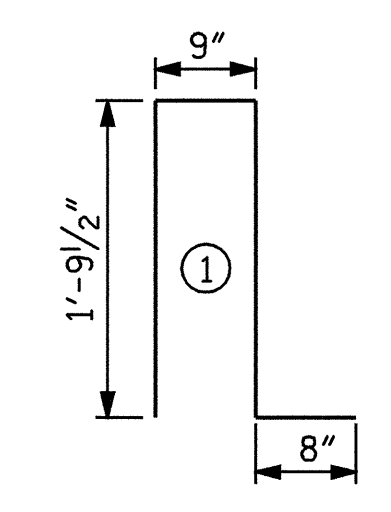


ELEVATION



SECTION THRU PARAPET

BAR TYPE		BILL OF MATERIAL FOR PARAPET AND FOUR END POSTS				
BAR	NO.	SIZE	TYPE	LENGTH	WEIGHT	
* B1	24	5	STR	38'-11"	974	
* E1	8	7	STR	2'-0"	33	
* E2	8	7	STR	2'-2"	35	
* E3	8	7	STR	2'-4"	38	
* E4	8	7	STR	2'-6"	41	
* E5	8	7	STR	2'-7"	42	
* F1	8	6	STR	3'-5"	41	
* F2	8	6	STR	3'-8"	44	
* S1	134	5	1	5'-0"	699	
* S2	32	5	STR	2'-0"	67	
* EPOXY COATED REINFORCING STEEL					2014 LBS.	
CLASS AA CONCRETE					8.9 C.Y.	
CONCRETE PARAPET					149.69 LIN. FEET	



BAR DIMENSIONS ARE OUT TO OUT.

SPLICE LENGTH CHART

BAR	MIN. SPLICE
B1	3'-5"

NOTES

ALL REINFORCING STEEL IN CONCRETE PARAPET SHALL BE EPOXY COATED.

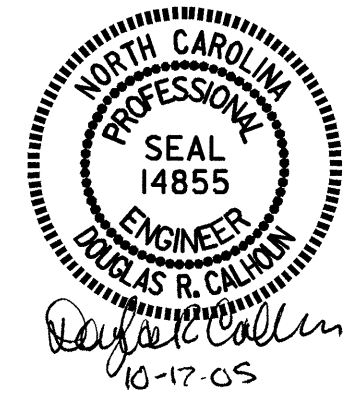
THE PARAPET SHALL NOT BE CAST UNTIL ALL SLAB CONCRETE HAS BEEN CAST AND HAS REACHED A MINIMUM COMPRESSIVE STRENGTH OF 3000 PSI.

THE #5 S2 BARS SHALL BE INSTALLED USING AN ADHESIVE ANCHORING SYSTEM AFTER SAWING THE JOINT. FOR ADHESIVELY ANCHORED ANCHOR BOLTS OR DOWELS, SEE SPECIAL PROVISIONS. THE YIELD LOAD FOR THE #5 S2 BARS IS 18.6 KIPS. FIELD TESTING FOR THE ADHESIVE BONDING SYSTEM IS NOT REQUIRED.

THE JOINT IN THE DECK SHALL BE SAWED PRIOR TO THE CASTING OF CONCRETE PARAPET.

FOR DETAILS OF CONCRETE INSERT AND GUARDRAIL ANCHOR ASSEMBLY, SEE "RAIL POST SPACING AND END OF RAIL DETAIL".

GROOVED CONTRACTION JOINTS 1/2" IN DEPTH, SHALL BE TOOLED IN ALL EXPOSED FACES OF PARAPET IN ACCORDANCE WITH ARTICLE 825-10(B) OF THE STANDARD SPECIFICATIONS. THE CONTRACTION JOINTS SHALL BE LOCATED AT A SPACING OF 8 FEET TO 10 FEET BETWEEN EXPANSION JOINTS. NO CONTRACTION JOINTS WILL BE REQUIRED FOR SEGMENTS LESS THAN 10 FEET IN LENGTH.



PROJECT NO. B-3805
ASHE COUNTY
 STATION: 10+63.50 -L-

SHEET 1 OF 4

STATE OF NORTH CAROLINA
 DEPARTMENT OF TRANSPORTATION
 RALEIGH

SUPERSTRUCTURE
1'-0" X 1'-6"
CONCRETE PARAPET
 (FOR ONE BAR METAL RAIL)

REVISIONS						SHEET NO.
NO.	BY:	DATE:	NO.	BY:	DATE:	S-10
1			3			TOTAL SHEETS
2			4			26

DRAWN BY : T.A. HARRIS DATE : 12/9/04
 CHECKED BY : T.L. CLELLAND DATE : 12/17/04

PARAPET AND END POST FOR ONE BAR RAIL