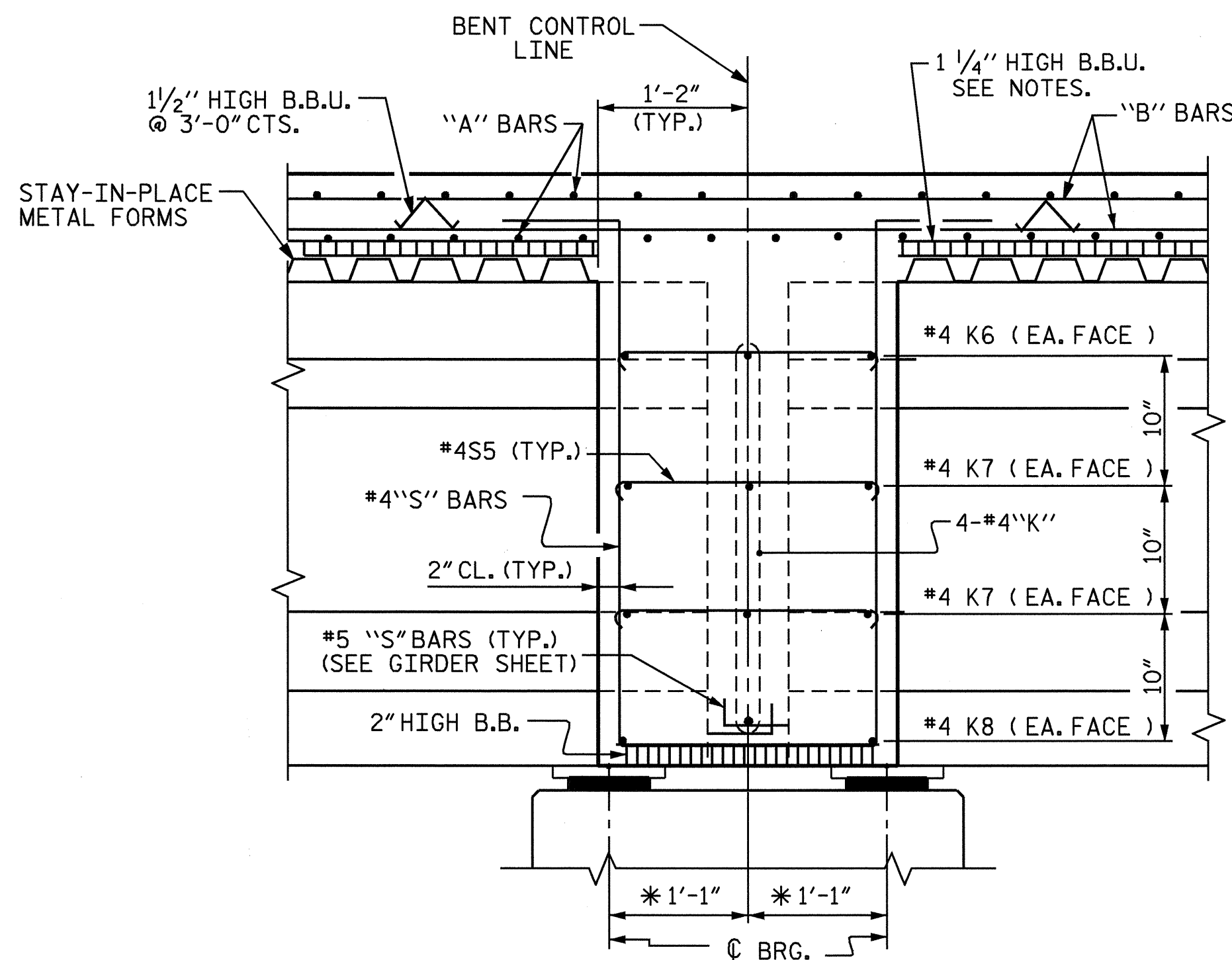
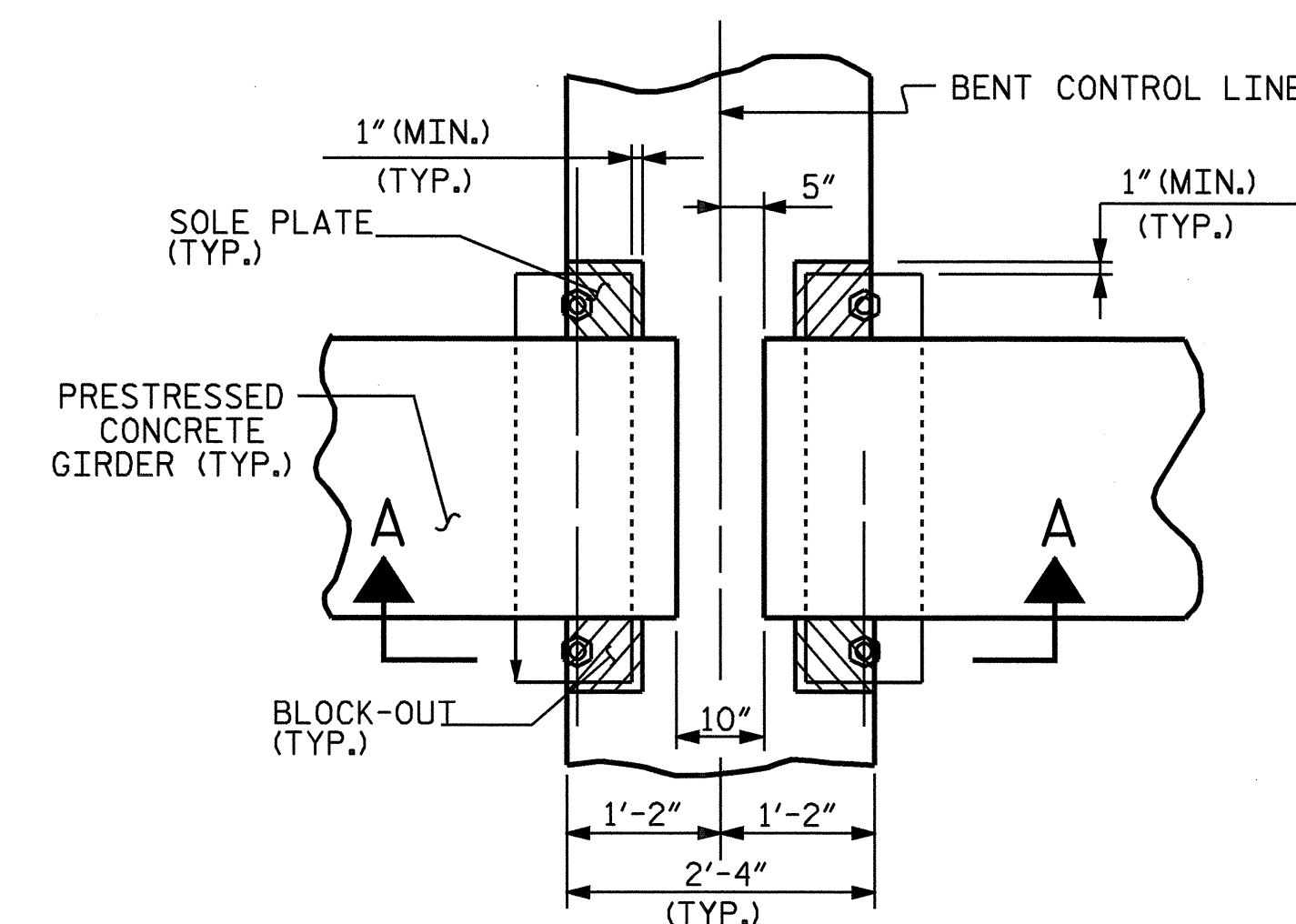


SECTION AT END BENT

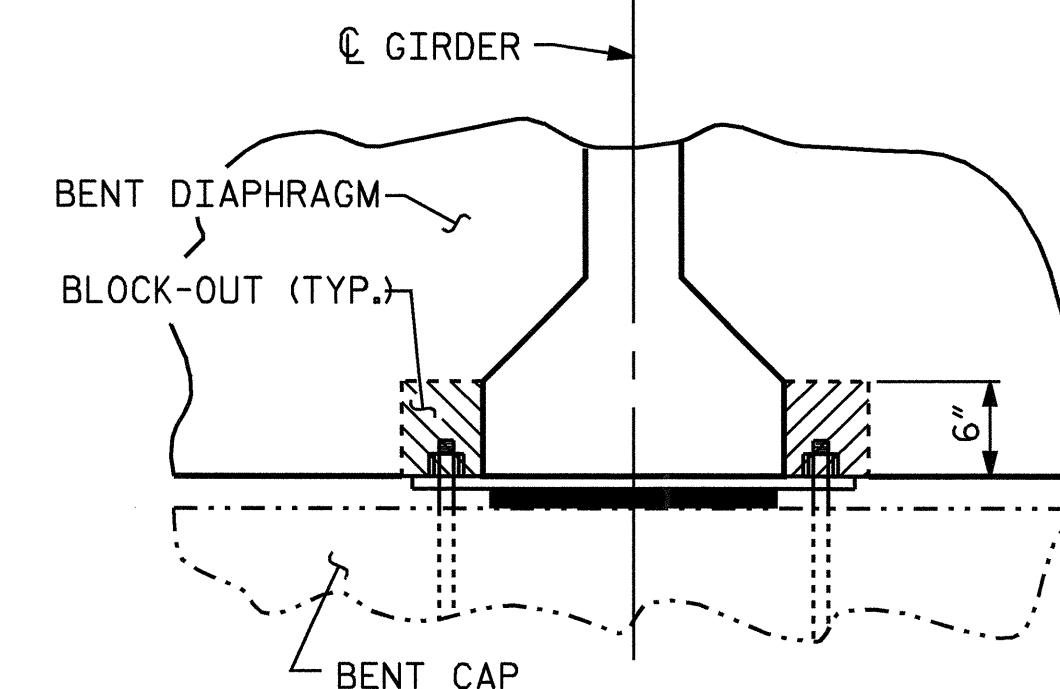


SECTION @ BENT DIAPHRAGM

** MEASURED ALONG C GIRDER

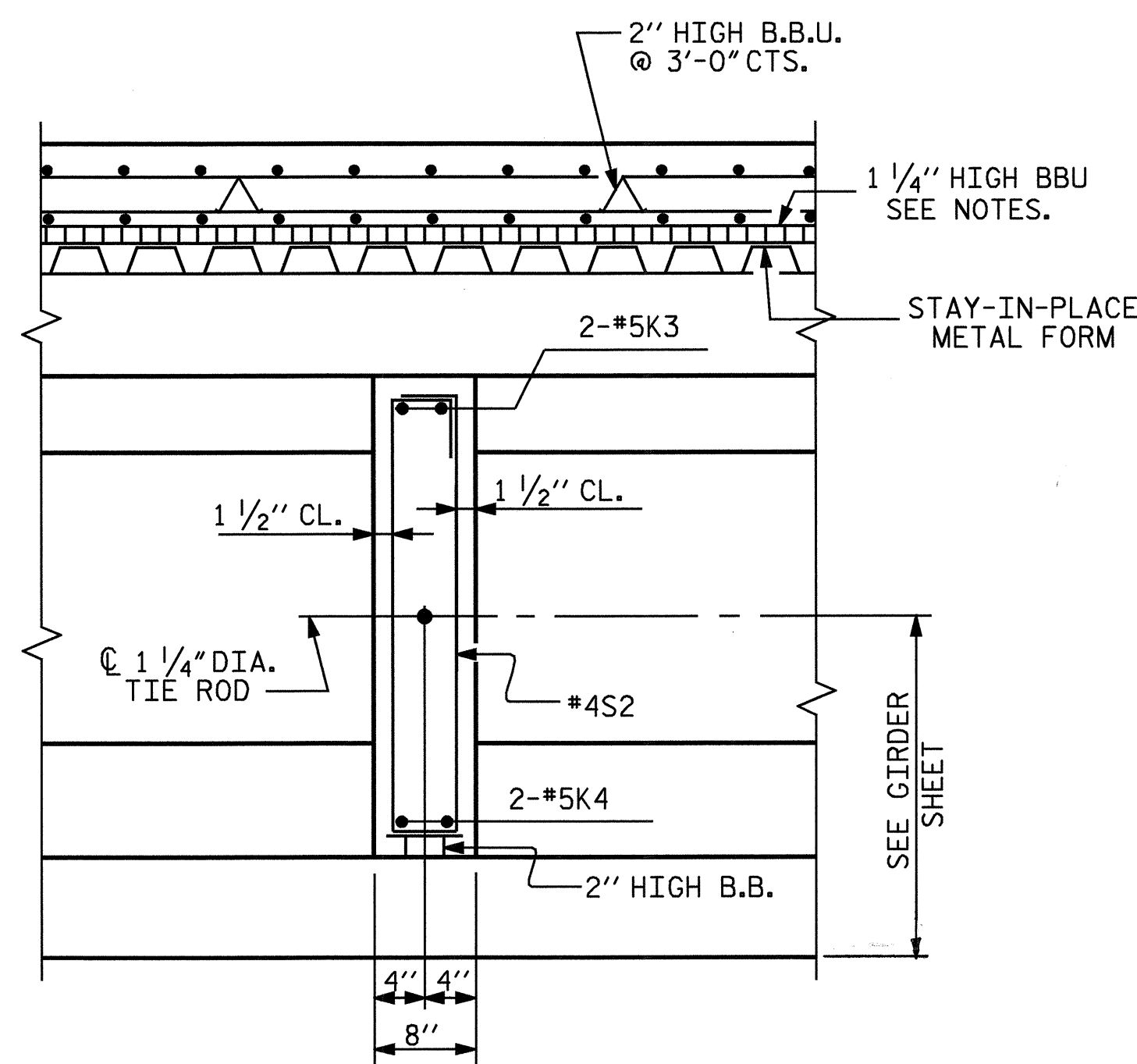


PLAN

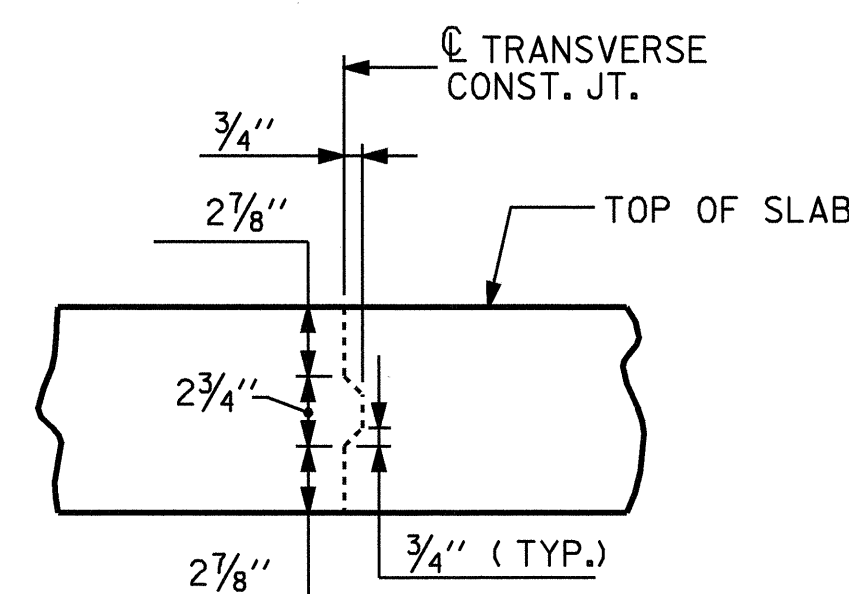


SECTION A-A

BENT DIAPHRAGM BLOCKOUT DETAIL



SECTION AT INTERMEDIATE DIAPHRAGM



TRANSVERSE CONSTRUCTION JOINT DETAIL

NOTE: REINFORCING STEEL IN SLAB NOT SHOWN. LONGITUDINAL REINFORCING STEEL SHALL BE CONTINUOUS THRU JOINT

PROJECT NO. B-3877

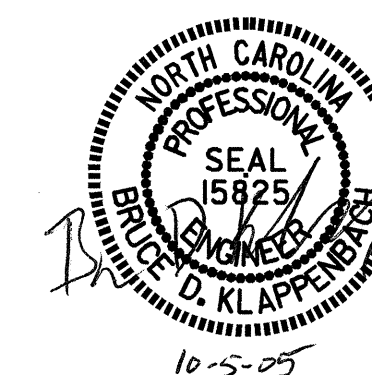
NASH COUNTY

STATION: 25+80.65 -L-

SHEET 2 OF 2

STATE OF NORTH CAROLINA
DEPARTMENT OF TRANSPORTATION
RALEIGH

**SUPERSTRUCTURE
TYPICAL SECTION
DETAILS**



DRAWN BY : M. G. SHAIKH DATE : 01-07-05
CHECKED BY : D. A. GLADDEN DATE : 04-26-05

04-OCT-2005 14:55
R:\STRUCT\2\mshai\k\MICROS\B-3877.ed.TS_01.dgn
mshai

REVISIONS						SHEET NO.	
NO.	BY:	DATE:	NO.	BY:	DATE:	S-6	
1			3			TOTAL SHEETS	
2			4			33	