

**PLAN OF SPAN "A"**

FOR POURING SEQUENCE, SEE "SUPERSTRUCTURE BILL OF MATERIAL" SHEET.  
 FOR LONGITUDINAL BARS IN TOP OF SLAB, SEE "B BAR LAYOUT" SHEET.  
 "A" BARS TO BE PLACED PERPENDICULAR TO LONG CHORD.  
 FOR SECTION VIEWS, SEE "TYPICAL SECTION" SHEETS.  
 FOR REINFORCING STEEL IN BARRIER RAIL, SEE "CONCRETE BARRIER RAIL" SHEETS.  
 FOR LOCATION OF INTERMEDIATE DIAPHRAGMS, SEE "GIRDER LAYOUT" SHEET.

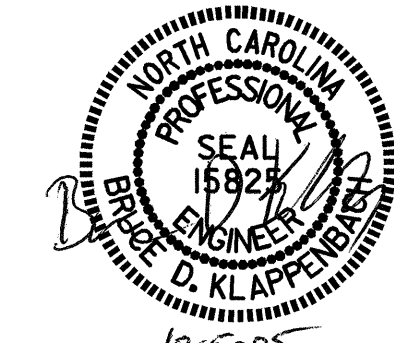
PROJECT NO. B-3877  
NASH COUNTY  
 STATION: 25+80.65 -L-

SHEET 1 OF 3

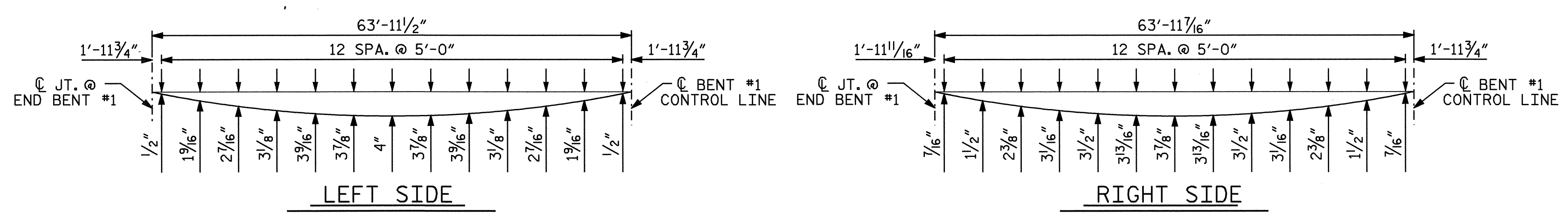
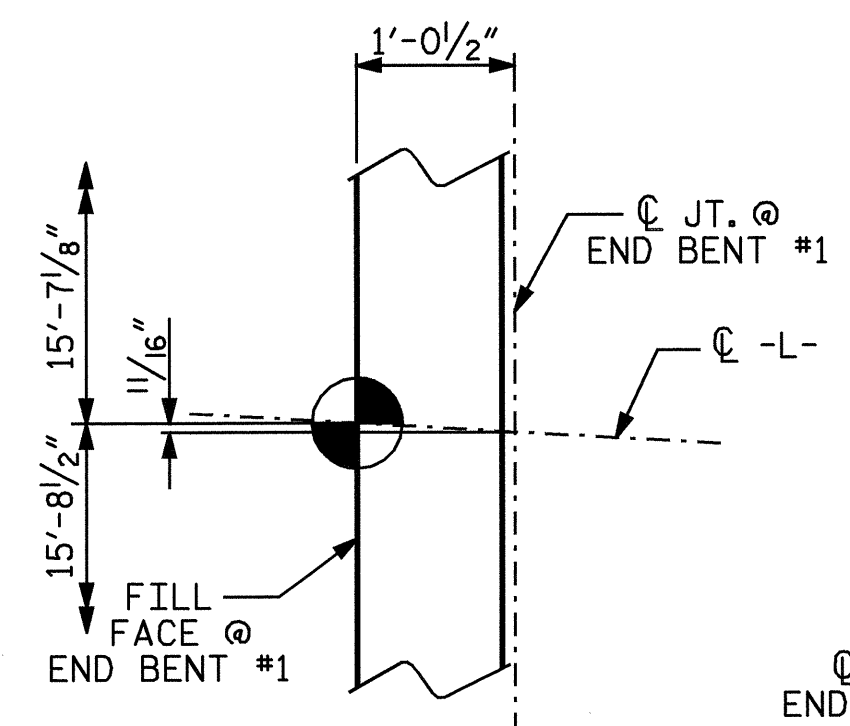
STATE OF NORTH CAROLINA  
 DEPARTMENT OF TRANSPORTATION  
 RALEIGH

**SUPERSTRUCTURE  
 PLAN OF SPAN "A"**

REVISIONS						SHEET NO.
NO.	BY:	DATE:	NO.	BY:	DATE:	S-7
1			3			TOTAL SHEETS
2			4			33



**DETAIL "C"**



DRAWN BY: M. G. SHAIKH DATE: 12-15-04  
 CHECKED BY: D. A. GLADDEN DATE: 04-25-05