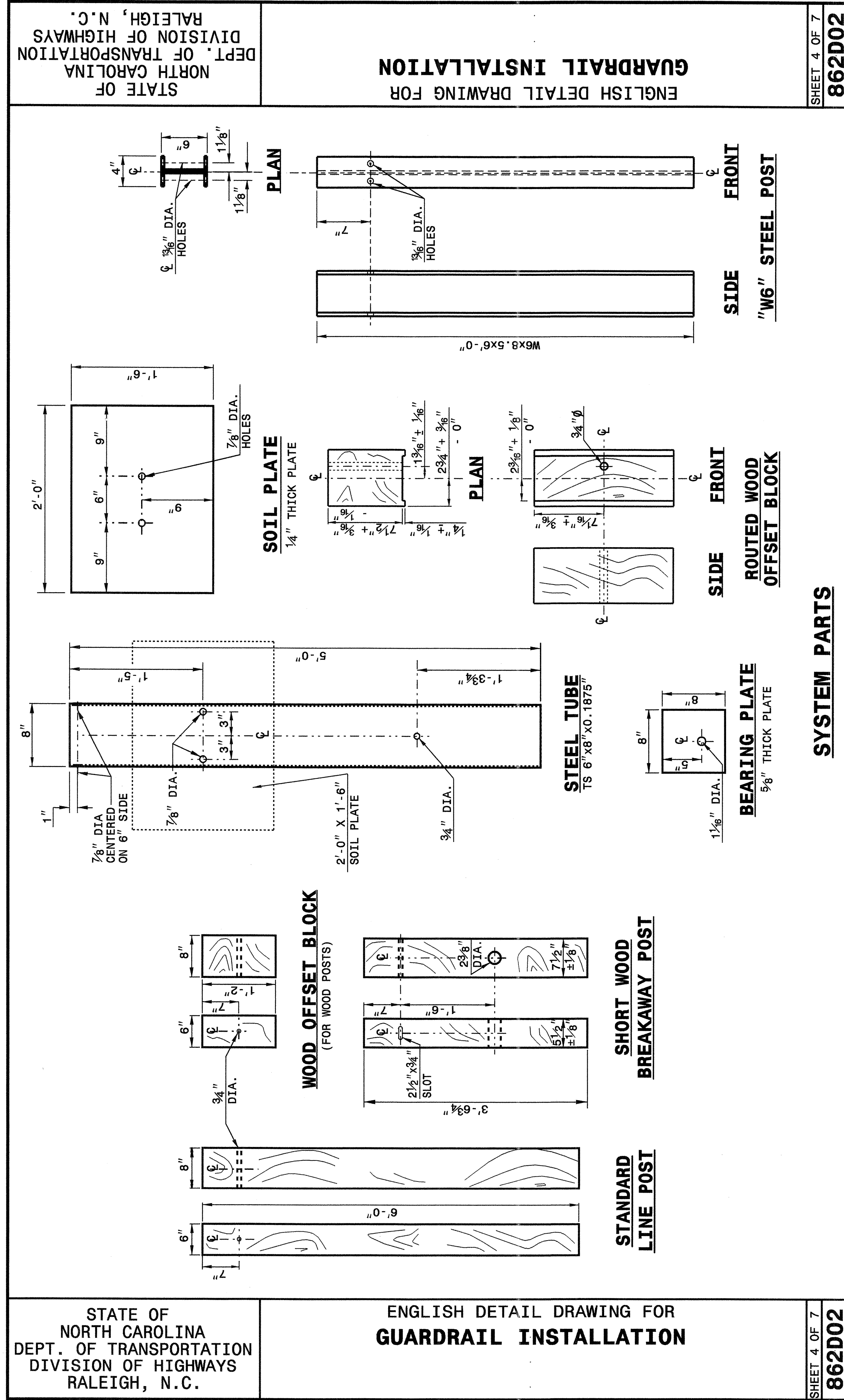
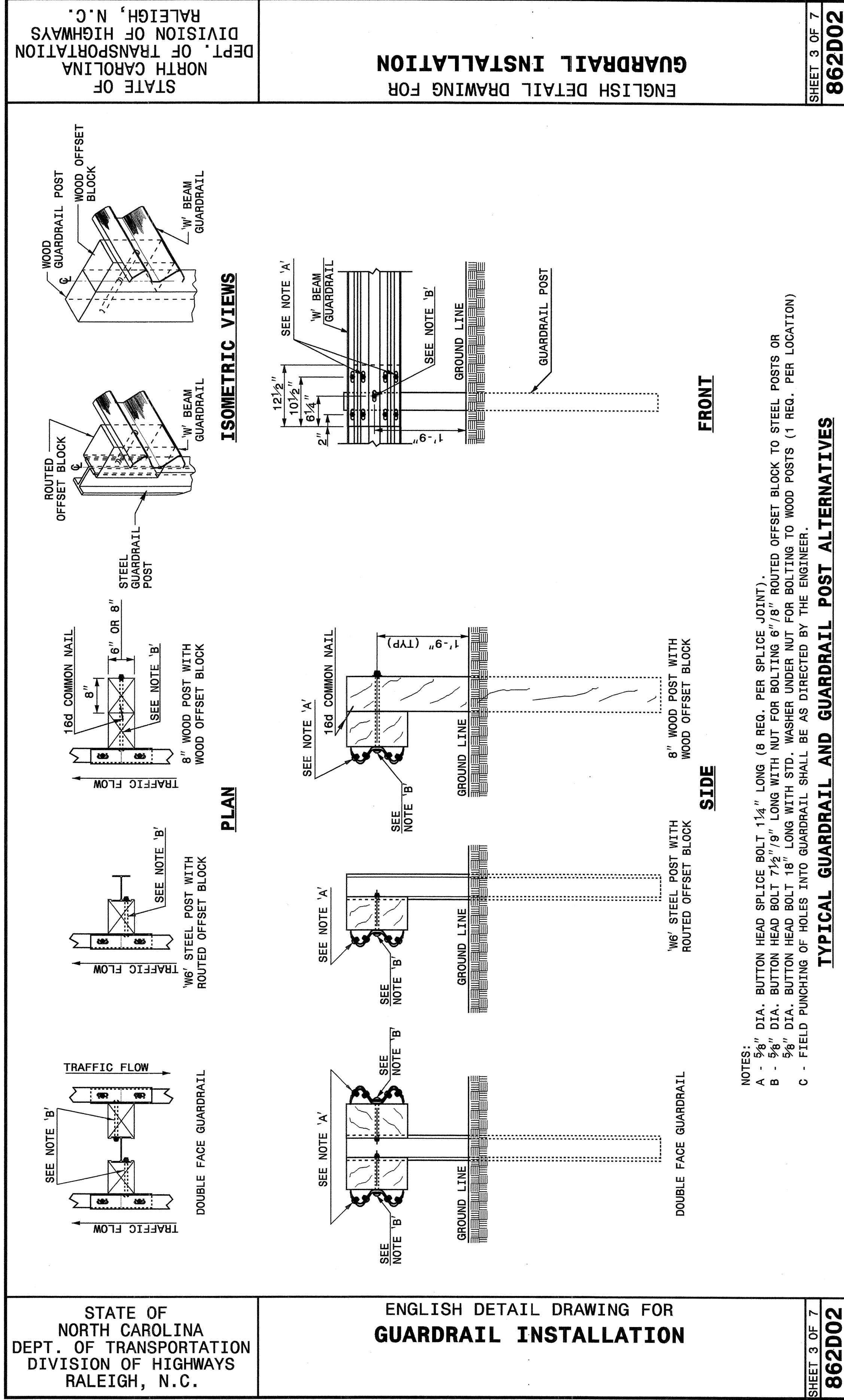


19-OCT-2004 10:39 W:\Special_Details\english\862d02\0862d02.dgn erickson AT D5212260



PROJECT SERVICES UNIT
STANDARDS AND SPECIAL DESIGN
Office 919-250-4128 FAX 919-250-4119

SEE PLATE FOR TITLE

ORIGINAL BY: 2002 STD. 862.02 DATE:
 MODIFIED BY: E.E. WARD DATE: 02-09-03
 CHECKED BY: *[Signature]* DATE: 10/21/04
 FILE SPEC.: I:\stds\02todetail\english\862d02\862d02.dgn

