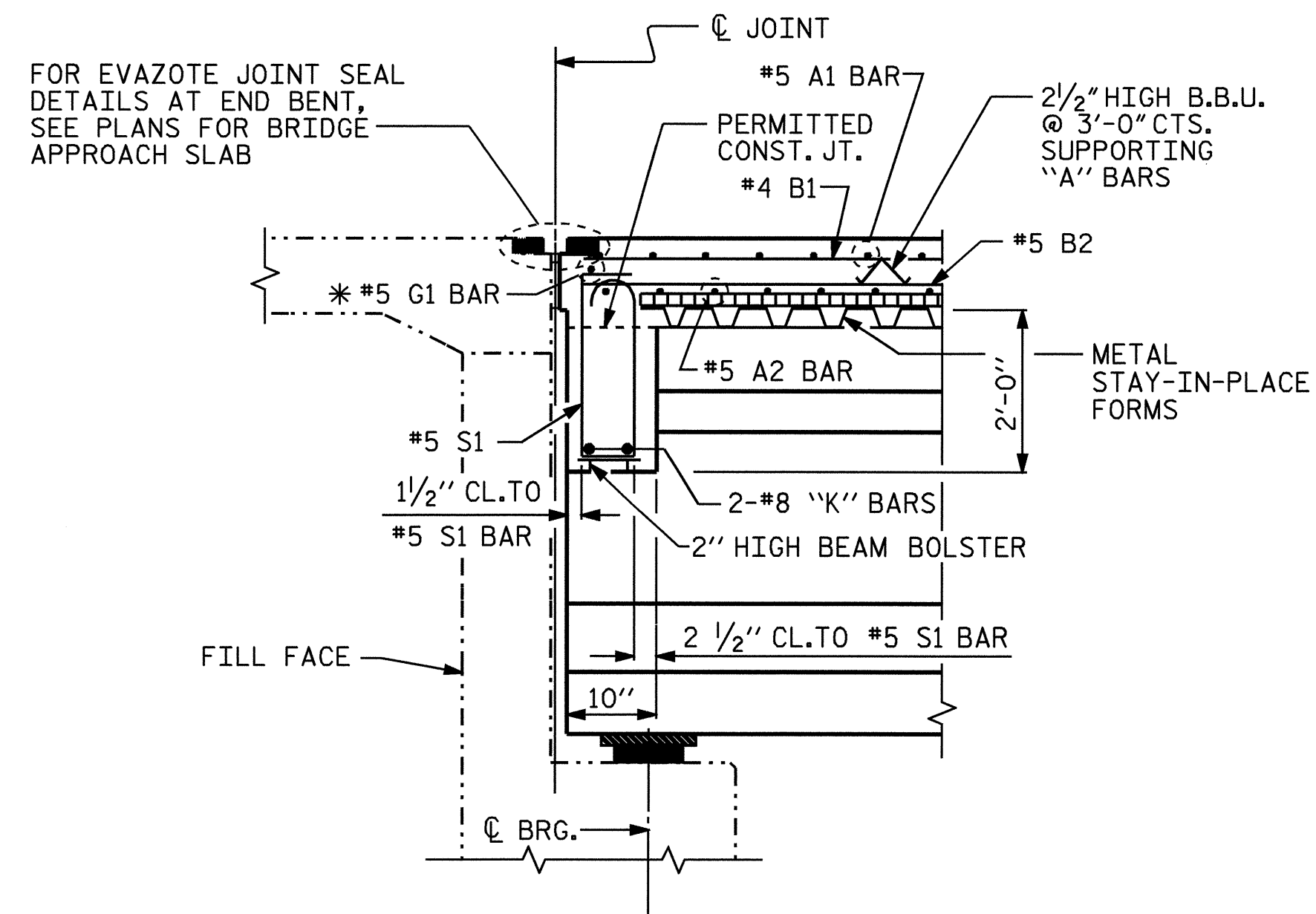
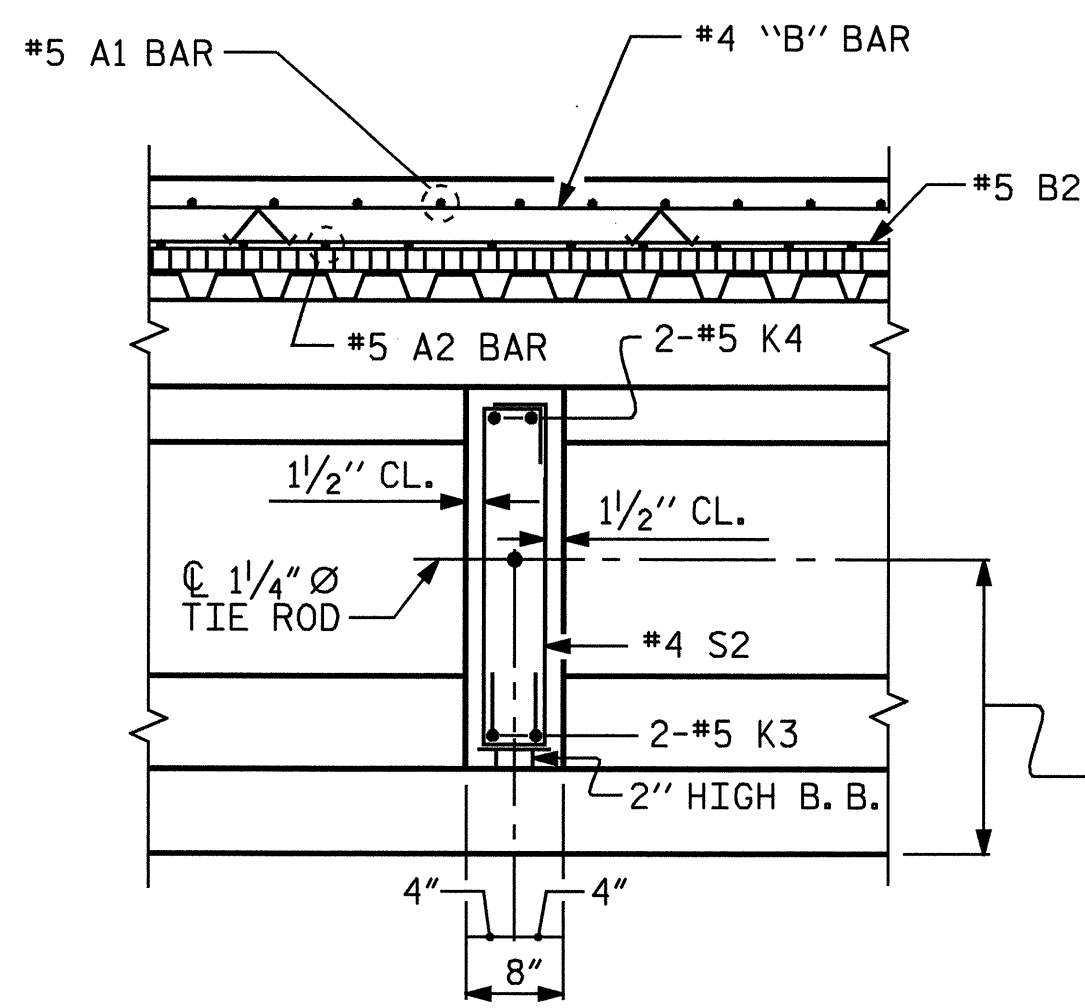


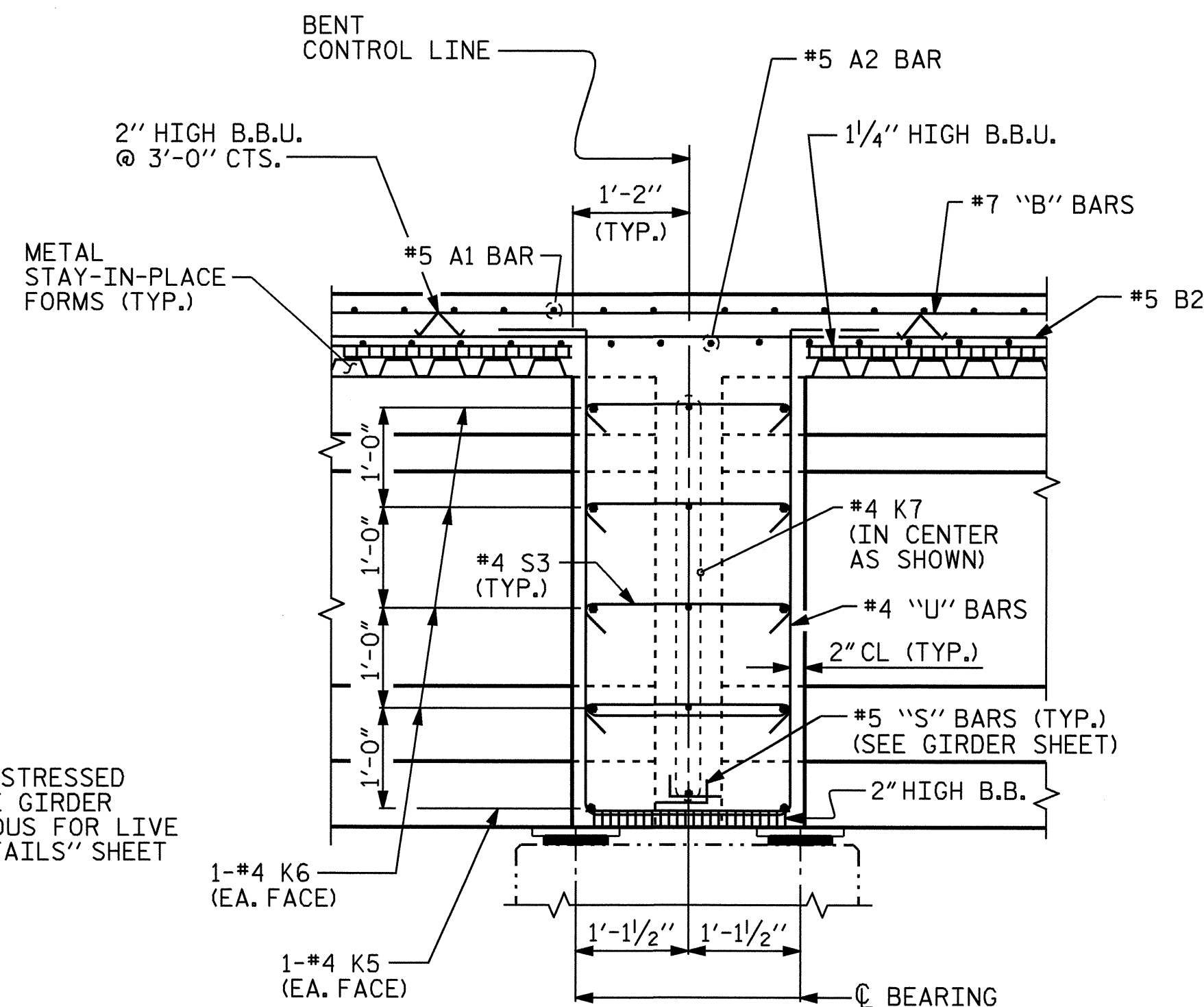
NOTES:
 FOR LOCATION OF SECTIONS, SEE "PLAN OF SPAN" SHEETS.
 * #5 G1 BAR MAY BE SHIFTED SLIGHTLY, AS NECESSARY, TO CLEAR REINFORCING STEEL AND STIRRUPS.



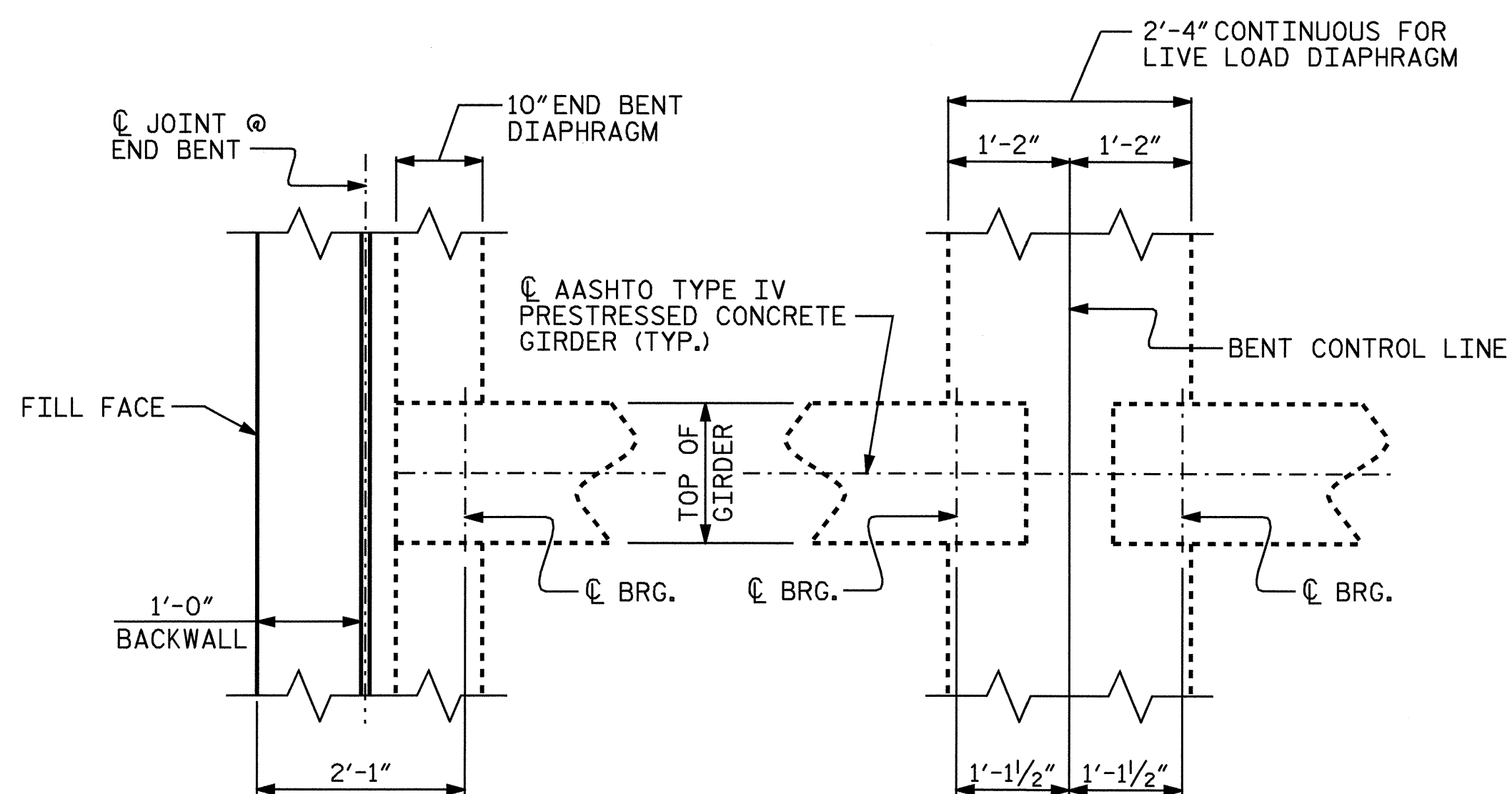
SECTION A-A



SECTION B-B



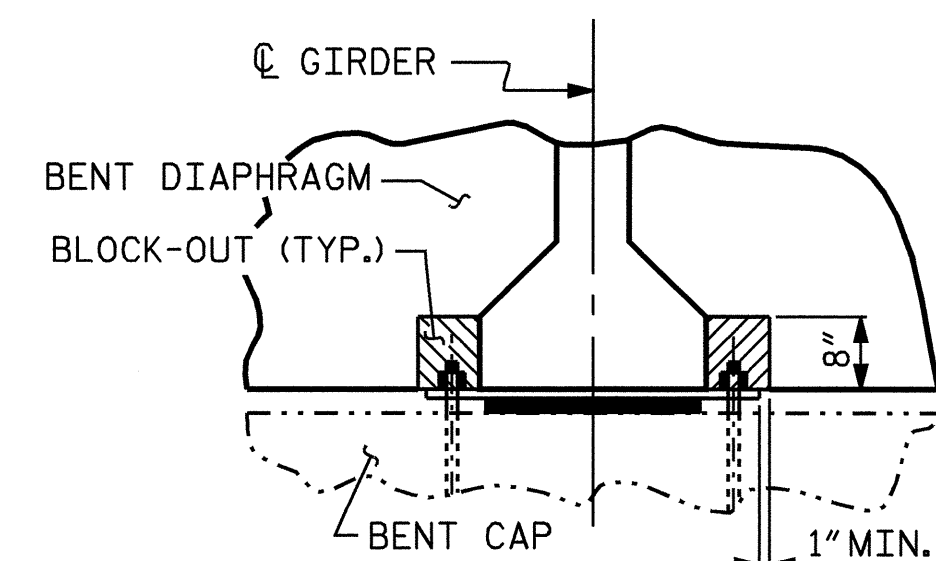
SECTION C-C



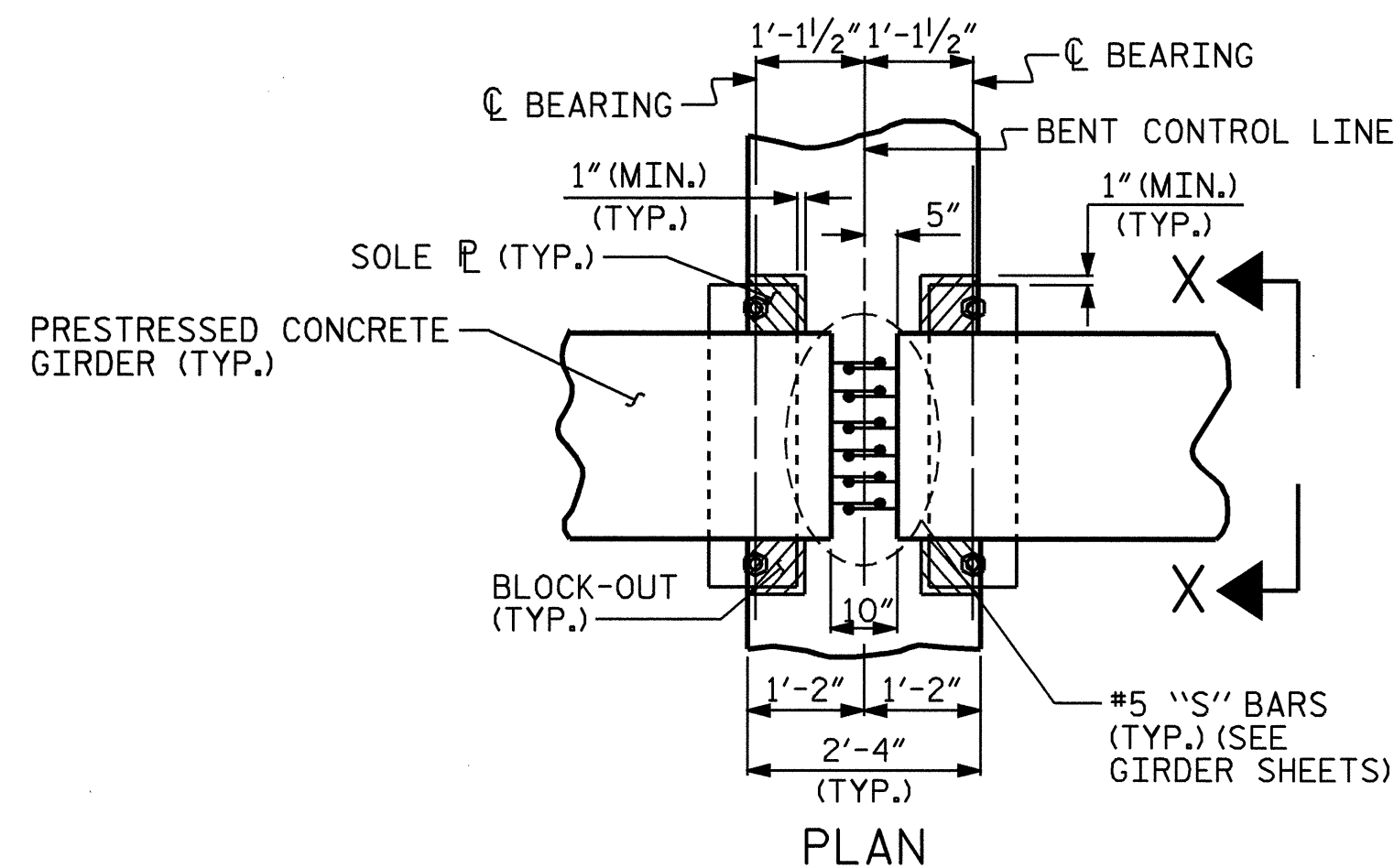
END BENT DIAPHRAGM

BENT DIAPHRAGM

PLAN OF DIAPHRAGMS



SECTION X-X



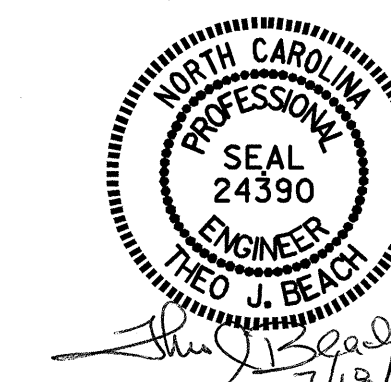
PLAN

BENT DIAPHRAGM BLOCK-OUT DETAIL

PROJECT NO. B-4044
BURKE COUNTY
 STATION: 17+05.00 -L-

SHEET 2 OF 2

STATE OF NORTH CAROLINA
 DEPARTMENT OF TRANSPORTATION
 RALEIGH
 SUPERSTRUCTURE
 TYPICAL SECTION



DRAWN BY: P.C. BREWER DATE: 11/9/04
 CHECKED BY: M. BRITT DATE: 12/1/04

REVISIONS						SHEET NO.
NO.	BY:	DATE:	NO.	BY:	DATE:	S-5
1			3			TOTAL SHEETS
2			4			35